



Chipsmall Limited consists of a professional team with an average of over 10 year of expertise in the distribution of electronic components. Based in Hongkong, we have already established firm and mutual-benefit business relationships with customers from,Europe,America and south Asia,supplying obsolete and hard-to-find components to meet their specific needs.

With the principle of “Quality Parts,Customers Priority,Honest Operation,and Considerate Service”,our business mainly focus on the distribution of electronic components. Line cards we deal with include Microchip,ALPS,ROHM,Xilinx,Pulse,ON,Everlight and Freescale. Main products comprise IC,Modules,Potentiometer,IC Socket,Relay,Connector.Our parts cover such applications as commercial,industrial, and automotives areas.

We are looking forward to setting up business relationship with you and hope to provide you with the best service and solution. Let us make a better world for our industry!



Contact us

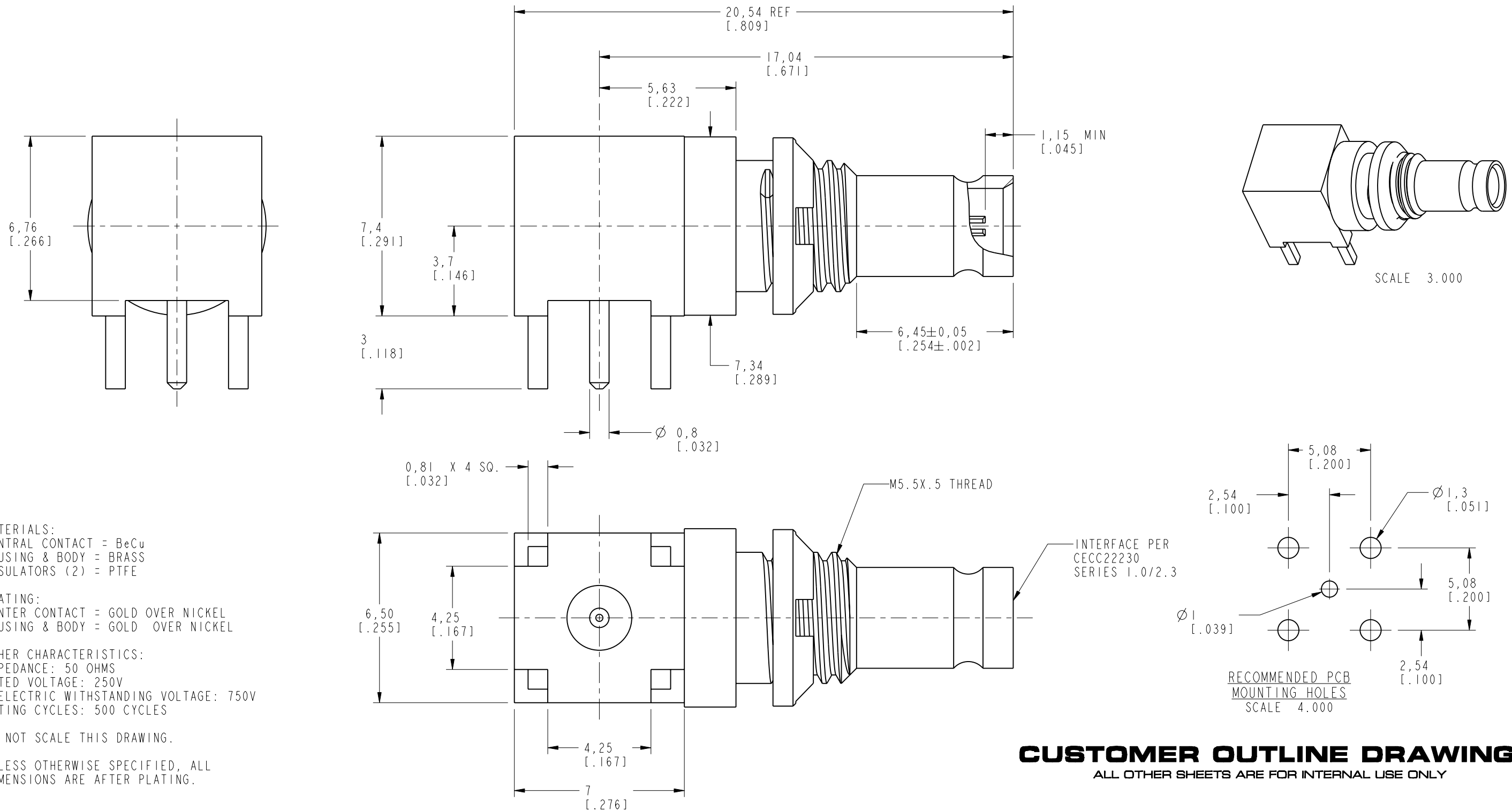
Tel: +86-755-8981 8866 Fax: +86-755-8427 6832

Email & Skype: info@chipsmall.com Web: www.chipsmall.com

Address: A1208, Overseas Decoration Building, #122 Zhenhua RD., Futian, Shenzhen, China



| | | | | | |
|-------------------|-----|-----------------|----------|-------|------|
| 102-909-04 | | REVISIONS | | | |
| DRAWING NO. | REV | DESCRIPTION | DATE | ECO | APPR |
| THIRD ANGLE PROJ. | A | RELEASE TO MFG. | 12/13/01 | 43919 | CPM |
| | B | SEE SHEET 1 | 11/7/02 | 44274 | CPM |



- NOTES:
- MATERIALS:
CENTRAL CONTACT = BeCu
HOUSING & BODY = BRASS
INSULATORS (2) = PTFE
 - PLATING:
CENTER CONTACT = GOLD OVER NICKEL
HOUSING & BODY = GOLD OVER NICKEL
 - OTHER CHARACTERISTICS:
IMPEDANCE: 50 OHMS
RATED VOLTAGE: 250V
DIELECTRIC WITHSTANDING VOLTAGE: 750V
MATING CYCLES: 500 CYCLES
 - DO NOT SCALE THIS DRAWING.
 - UNLESS OTHERWISE SPECIFIED, ALL DIMENSIONS ARE AFTER PLATING.

CUSTOMER OUTLINE DRAWING
ALL OTHER SHEETS ARE FOR INTERNAL USE ONLY

| | | | | | |
|---|--|--------------------------------|------------------|----------------------------------|--|
| UNLESS OTHERWISE SPECIFIED, DIMENSIONS ARE IN INCHES AND TOLERANCES ARE: 0.5 - 6mm ±0.2mm 6 - 30mm ±0.4mm 30 - 120mm ±0.6mm | MATERIAL | DRAWN C. McGRATH | DATE 12/11/01 | TITLE 1.0/2.3 R/A PCB JACK | Amphenol Amphenol Corporation Communication and Network Products Division Danbury, CT U.S.A. 06810 |
| | REFERENCE EAR# 157 GEN# 102-909-02_ASSY 615X-1671-100 | ENGINEER O. BARTHELMES | DATE 12/11/01 | | |
| NOTICE - These drawings, specifications, or other data (1) are, and remain the property of Amphenol Corp. (2) must be returned upon request; and (3) are confidential and not to be disclosed to any person other than those to whom they are given by Amphenol Corp. The furnishing of these drawings, specifications, or other data by Amphenol Corp., or to any other person to anyone for any purpose is not to be regarded by implication or otherwise in any manner licensing, granting rights or permitting such holder or any other person to manufacture, use or sell any product, process or design, patented or otherwise, that may in any way be related to or disclosed by said drawings, specifications, or other data. | | APPROVED O. BARTHELMES | DATE 12/13/01 | | SCALE: 6.0:1 SHEET 2 OF 2 |
| | | CAD FILE I:\1023\102-909-04 | CODE ID 74868 | DWG SIZE B | DRAWING NO. 102-909-04 |