



Chipsmall Limited consists of a professional team with an average of over 10 year of expertise in the distribution of electronic components. Based in Hongkong, we have already established firm and mutual-benefit business relationships with customers from,Europe,America and south Asia,supplying obsolete and hard-to-find components to meet their specific needs.

With the principle of “Quality Parts,Customers Priority,Honest Operation,and Considerate Service”,our business mainly focus on the distribution of electronic components. Line cards we deal with include Microchip,ALPS,ROHM,Xilinx,Pulse,ON,Everlight and Freescale. Main products comprise IC,Modules,Potentiometer,IC Socket,Relay,Connector.Our parts cover such applications as commercial,industrial, and automotives areas.

We are looking forward to setting up business relationship with you and hope to provide you with the best service and solution. Let us make a better world for our industry!



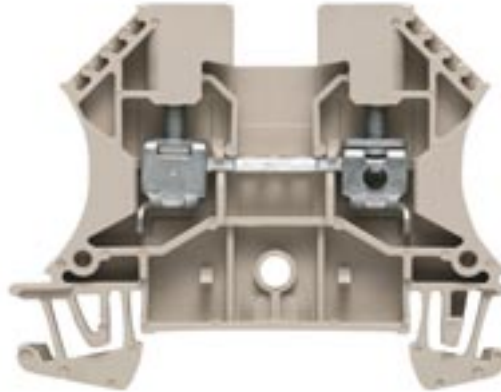
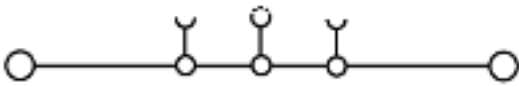
Contact us

Tel: +86-755-8981 8866 Fax: +86-755-8427 6832

Email & Skype: info@chipsmall.com Web: www.chipsmall.com

Address: A1208, Overseas Decoration Building, #122 Zhenhua RD., Futian, Shenzhen, China





General ordering data

Order No.	1020100000
Part designation	WDU 4
Version	Feed-through terminal, 4 mm ² , Screw connection, Wemid, dark beige, TS 35
EAN	4008190150617
Qty.	100 pc(s).

Product notes

Note, ordering data	Rated voltage 400V when using cross-connection ZQVSee section "W-series accessories" for colours available.
Note, technical data	Note max. current of terminal (41 A) when using WQV!
Product description	Their small size compared to the respective rated cross-section makes the modular terminals with the compact design very popular.
Function	
Note, accessories	Socket and test plug, see section "W Series accessories". Shielding rail LS 2.8 1056400000.

PT OKIECEEx/ATEX rating data

EU-type examination certificate	KEMA98ATEX1683U
Download, German	KEMA98ATEX1683U_d.pdf
Download English	KEMA98ATEX1683U_e.pdf
IECEX Certificate of Conformity	IECEXULD05.0008U
Download	IECEXULD05.0008U_e.pdf
ATEX voltage	690 V
ATEX current	28 A
ATEX conductor cross-section	4 mm ²
IECEX voltage	690 V
IECEX current	28 A
IECEX conductor cross-section	4 mm ²
Voltage when using cross-connections	CrossConnectionGuide.pdf

PT OKIECEx/ATEX rating data

Operating temperature range	For operating temperature range see EC Design Test Certificate / IEC Ex-Certificate of Conformity
Marking EN 60079-7	Ex e II
Marking ATEX Directive 94/9/EC	Ex II 2 G D

2 clampable conductors (H05V/H07V) with equal cross-section (rated connection)

Solid, min.	0.5 mm ²
Solid, max.	2.5 mm ²
Flexible, min.	0.5 mm ²
Flexible, max.	1.5 mm ²
Flexible with ferrule, min. (DIN 46228 pt 1)	0.5 mm ²
Flexible with ferrule, max. (DIN 46228 pt 1)	1.5 mm ²

Additional technical data

Colour of insulating material	dark beige
Connection direction	on side
End plate required	Yes
Explosion-tested version "Ex e"	Yes
Installation advice	TS 35
Insulating material	Wemid
Levels cross-connected internally	No
No. of identical terminals	1
No. of levels	1
No. of terminal strips per level	2
Open sides	right
Operating temperature range	- 50 °C, + 120 °C
Product family	W-Series
Type of connection	Screwed
Type of mounting	Snap-on
UL 94 flammability rating of insulation material	V-0
Version	Feed-through terminal

CSA rating data

Voltage (CSA)	600 V
CSA current	35 A
Min. cross-section (CSA)	AWG 26
Max. cross-section (CSA)	AWG 10

Conductors for clamping (rated connection)

Clamping range, min.	0.13 mm ²
Clamping range, max.	6 mm ²
Type of connection	Screw connection
2nd type of connection	screwed
Connection direction	on side
No. of connections	2
Stripping length	10 mm
Clamping screw	M 3
Blade size	0.6 x 3.5 mm
Tightening torque range	0.5...1.0 Nm
Torque level with DMS electric screwdriver	2

Conductors for clamping (rated connection)

Gauge to IEC 60947-1	A4
Solid, min.	0.5 mm ²
Solid, max.	6 mm ²
Stranded, min.	1.5 mm ²
Stranded, max.	6 mm ²
Flexible, min.	0.5 mm ²
Flexible, max.	6 mm ²
Flexible with ferrule, min. (DIN 46228/1)	0.5 mm ²
Flexible with ferrule, max. (DIN 46228/1)	4 mm ²
Flexible, min., ferrule with plastic collar (DIN 46228 pt 4)	0.5 mm ²
Flexible, max., ferrule with plastic collar (DIN 46228 pt 4)	4 mm ²
Twin wire-end ferrule, min.	0.5 mm ²
Twin wire end ferrule, max.	2.5 mm ²
AWG conductor size, min.	AWG 26
AWG conductor size, max.	AWG 10
AWG conductor size, min.	0.13 mm ²
AWG conductor size, max.	5.26 mm ²

Dimensions

Width	6.1 mm
Height of lowest version	47 mm
Length	60 mm
Weight	10.4 g
TS 35 offset	32 mm

Disconnect terminals

Torque level with DMS electric screwdriver	2
--	---

Rating data

Rated cross-section	4 mm ²
Rated voltage	800 V
Rated impulse voltage	8 kV
Rated current	32 A
Standards	IEC 60947-7-1
Current with max. conductor	41 A
Pollution severity	3

UL rating data

Voltage (UL)	600 V
Current (UL)	35 A
Min. cross-section (UL)	AWG 22
Max. cross-section (UL)	AWG 10

Approvals

Approvals institutes



Downloads

DXF	09253_WDU_4_DXF.dxf
STEP	1020100000_09253_WDU_4_STP.stp

Classifications

ETIM 2.0	EC000897
ETIM 3.0	EC000897
eClass 4.1	27-14-11-20
eClass 5.0	27-14-11-20
eClass 5.1	27-14-11-20

Similar products

Order No.	Part designation	Version
1020180000	WDU 4 BL	Feed-through terminal, 4 mm ² , Screw connection, Wemid, blue, TS 35
1037810000	WDU 4 BR	Feed-through terminal, 4 mm ² , Screw connection, Wemid, brown, TS 35
1020120000	WDU 4 GE	Feed-through terminal, 4 mm ² , Screw connection, Wemid, yellow, TS 35
1020160000	WDU 4 GN	Feed-through terminal, 4 mm ² , Screw connection, Wemid, green, TS 35
1037800000	WDU 4 GR	Feed-through terminal, 4 mm ² , Screw connection, Wemid, grey, TS 35
1036760000	WDU 4 OR	Feed-through terminal, 4 mm ² , Screw connection, Polyamide, Orange, TS 35
1020140000	WDU 4 RT	Feed-through terminal, 4 mm ² , Screw connection, Wemid, red, TS 35
1020110000	WDU 4 SW	Feed-through terminal, 4 mm ² , Screw connection, Wemid, black, TS 35
1036700000	WDU 4 WS	Feed-through terminal, 4 mm ² , Screw connection, Wemid, white, TS 35

1021000000	WDU 4/10	Feed-through terminal, 4 mm ² , Screw connection, Wemid, dark beige, TS 35
1020900000	WDU 4/10/BEZ	Feed-through terminal, 4 mm ² , Screw connection, Wemid, dark beige, TS 35
1905140000	WDU 4/ZR	Feed-through terminal, 4 mm ² , Screw connection, Wemid, dark beige, TS 35
1905060000	WDU 4/ZZ	Feed-through terminal, 4 mm ² , Screw connection, Wemid, dark beige, TS 35