



Chipsmall Limited consists of a professional team with an average of over 10 year of expertise in the distribution of electronic components. Based in Hongkong, we have already established firm and mutual-benefit business relationships with customers from,Europe,America and south Asia,supplying obsolete and hard-to-find components to meet their specific needs.

With the principle of "Quality Parts,Customers Priority,Honest Operation,and Considerate Service",our business mainly focus on the distribution of electronic components. Line cards we deal with include Microchip,ALPS,ROHM,Xilinx,Pulse,ON,Everlight and Freescale. Main products comprise IC,Modules,Potentiometer,IC Socket,Relay,Connector.Our parts cover such applications as commercial,industrial, and automotives areas.

We are looking forward to setting up business relationship with you and hope to provide you with the best service and solution. Let us make a better world for our industry!



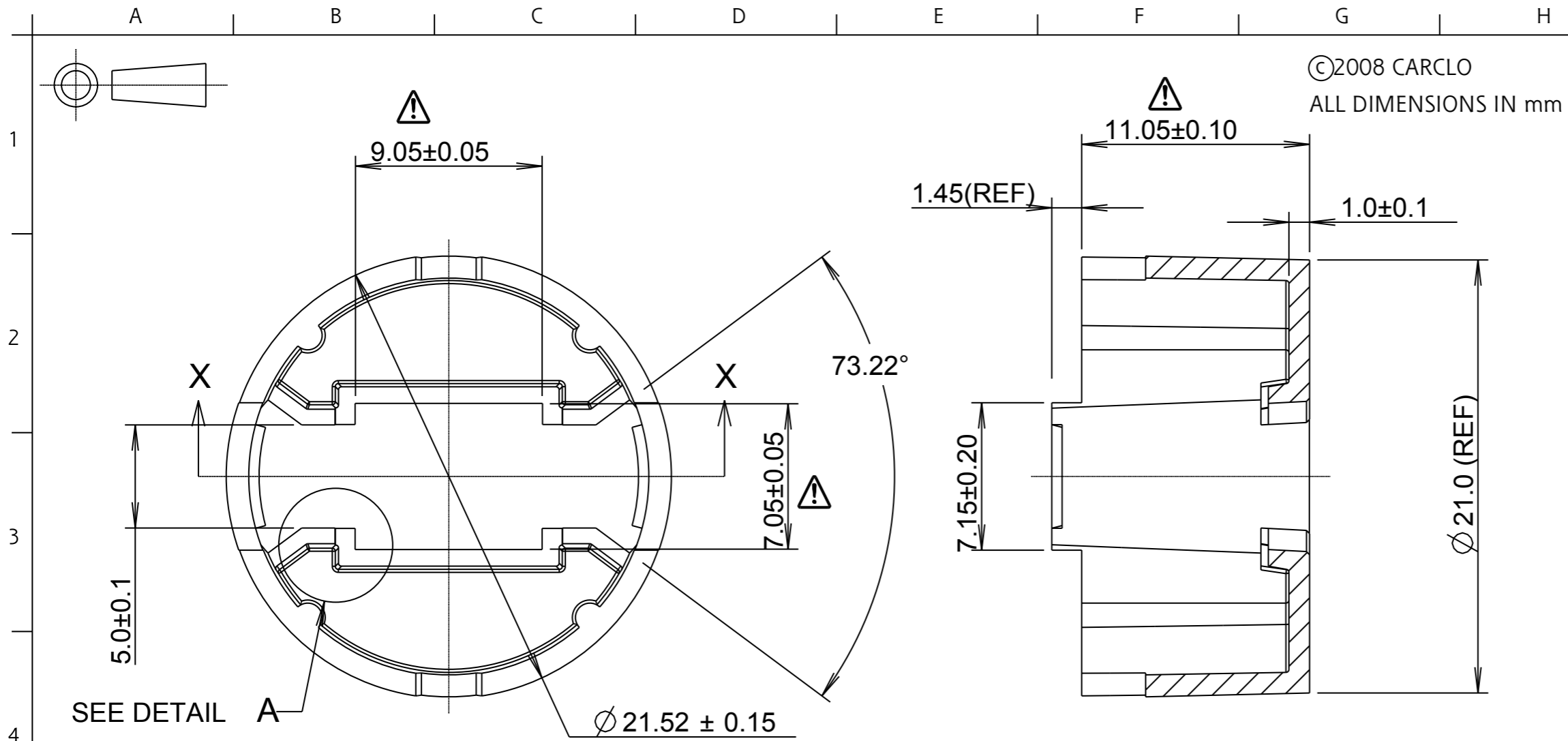
Contact us

Tel: +86-755-8981 8866 Fax: +86-755-8427 6832

Email & Skype: info@chipsmall.com Web: www.chipsmall.com

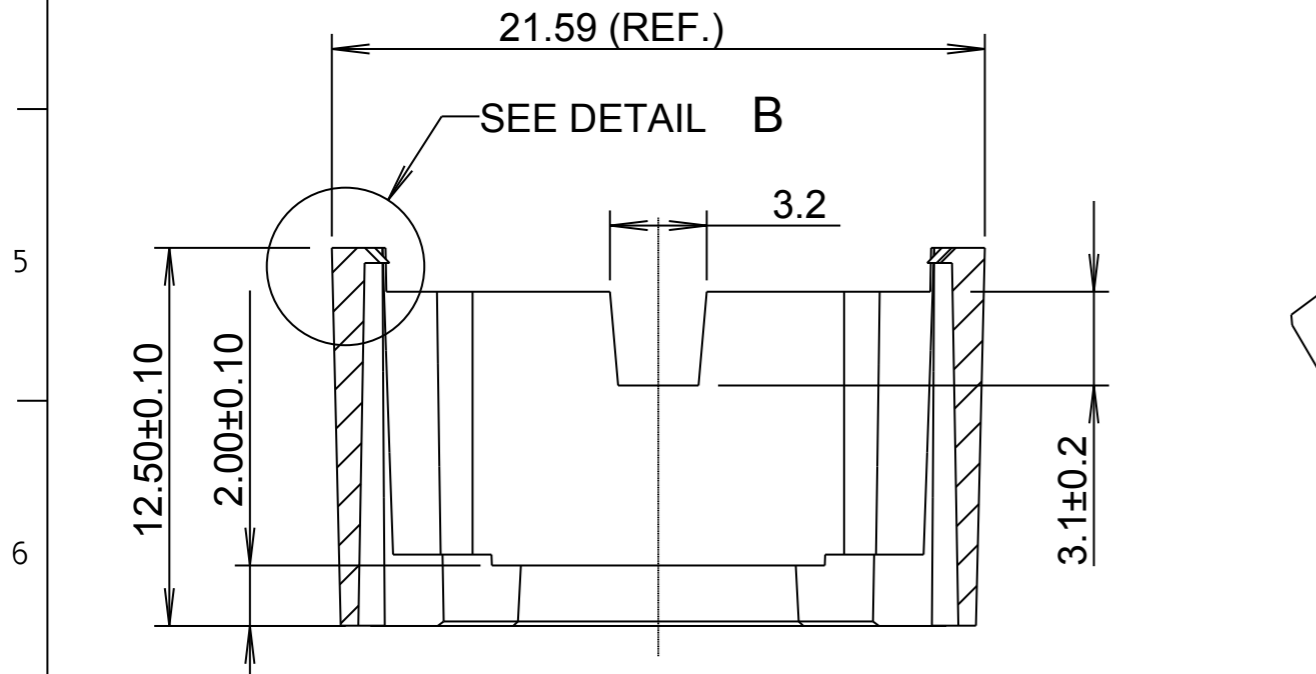
Address: A1208, Overseas Decoration Building, #122 Zhenhua RD., Futian, Shenzhen, China



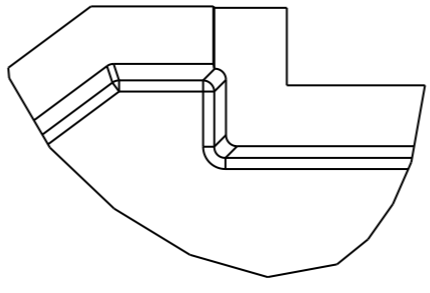


©2008 CARCLO
ALL DIMENSIONS IN mm

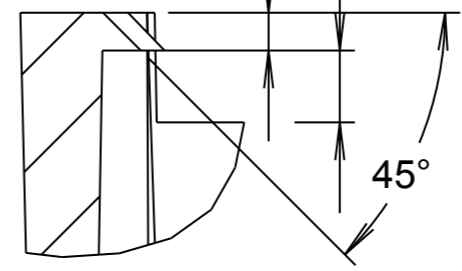
SECTION Y-Y



SECTION X-X



DETAIL A
SCALE 10:1



DETAIL B
SCALE 10:1

- NOTES:-
 1. MATERIAL: SEE TABLE
 2. FINISH: GOOD POLISH ALL OVER
 3. GEN. WALL THK. 1mm
 4. GEN DRAFT ANGLE 2 DEG.

DENOTES CRITICAL DIMENSION FOR INSPECTION

ISS.	DATE	E.C.N.	DESCRIPTION
1	20-Oct-06		FIRST ISSUE
2	19-Jan-09	01/09/1238	WIRING SLOTS REMOVED



CARCLO TECHNICAL PLASTICS (SLOUGH)
 111 BUCKINGHAM AVE, SLOUGH
 SL1 4PF, ENGLAND
 TEL: +44 1753 575011 FAX: +44 1753 811359
 email: design@carclo-optics.com

GENERAL TOLERANCES (UNLESS STATED)

LINEAR	ANGULAR
X +/- 0.25	X +/- 1°
X.X +/- 0.1	X.X +/- 0.5°
X.XX +/- 0.05	X.XX +/- 0.1°

CUSTOMER
 CARCLO

TITLE
 CREE HOLDER FOR 20MM OPTIC
 WITH 1.4MM OFFSET FOCUS

DRAWN MKI DATE 20-Oct-06

CHK'D DATE

APP'D DATE

SCALE 4:1 CARCLO PART No. SEE TABLE

PART No.	DESCRIPTION
10205	BLACK POLYCARBONATE
10206	CLEAR POLYCARBONATE
10207	WHITE POLYCARBONATE

SIZE A3 CARCLO DRG. No. 60435 SHEET 1 OF 1