



Chipsmall Limited consists of a professional team with an average of over 10 year of expertise in the distribution of electronic components. Based in Hongkong, we have already established firm and mutual-benefit business relationships with customers from,Europe,America and south Asia,supplying obsolete and hard-to-find components to meet their specific needs.

With the principle of “Quality Parts,Customers Priority,Honest Operation,and Considerate Service”,our business mainly focus on the distribution of electronic components. Line cards we deal with include Microchip,ALPS,ROHM,Xilinx,Pulse,ON,Everlight and Freescale. Main products comprise IC,Modules,Potentiometer,IC Socket,Relay,Connector.Our parts cover such applications as commercial,industrial, and automotives areas.

We are looking forward to setting up business relationship with you and hope to provide you with the best service and solution. Let us make a better world for our industry!



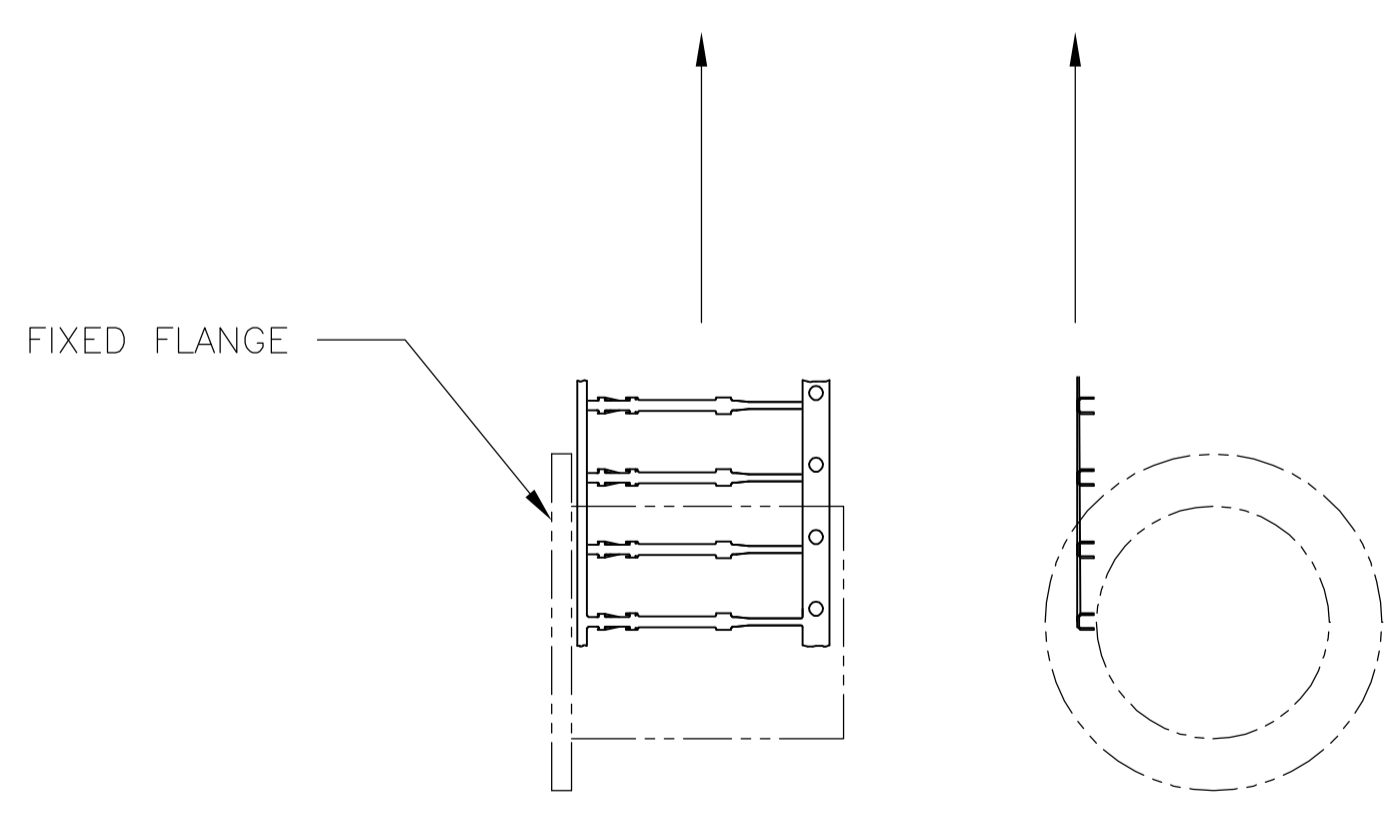
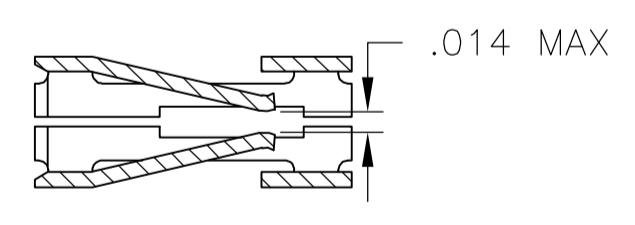
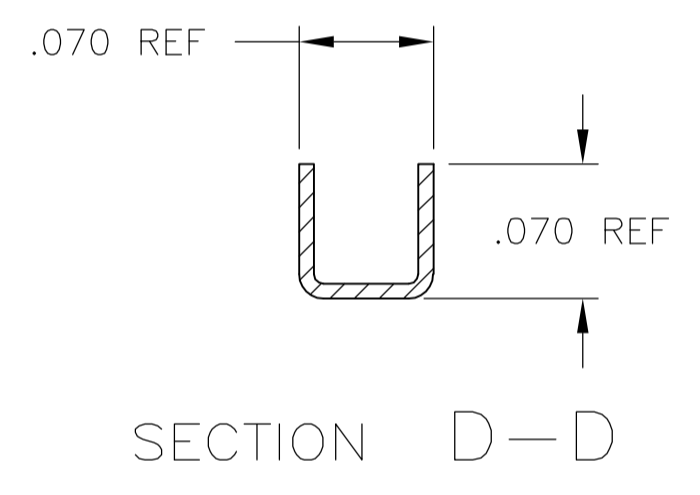
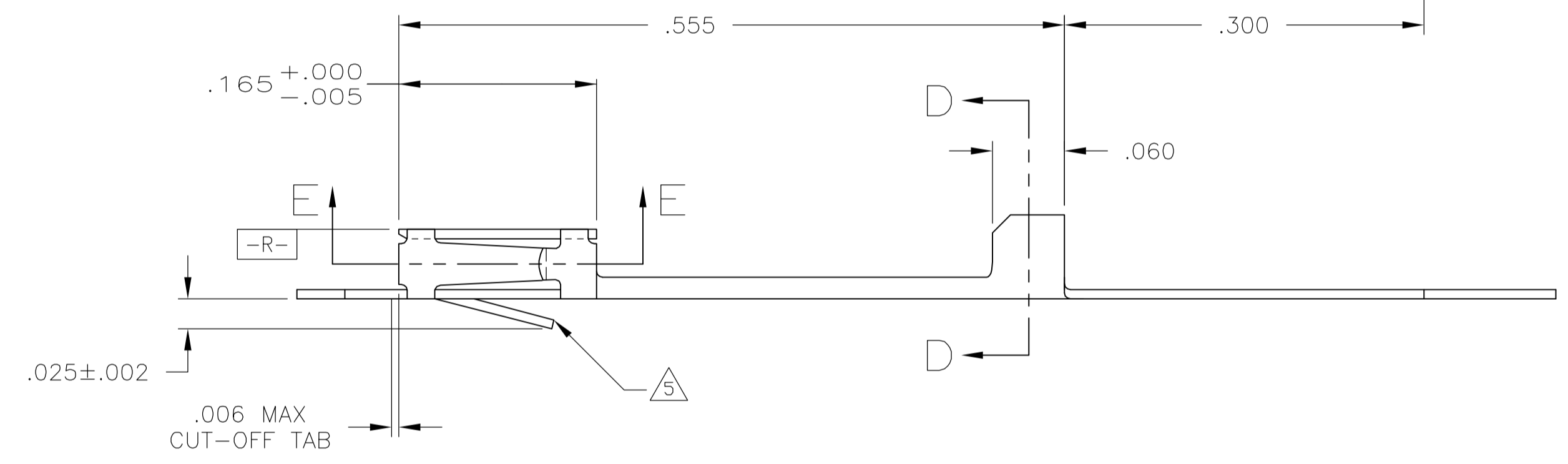
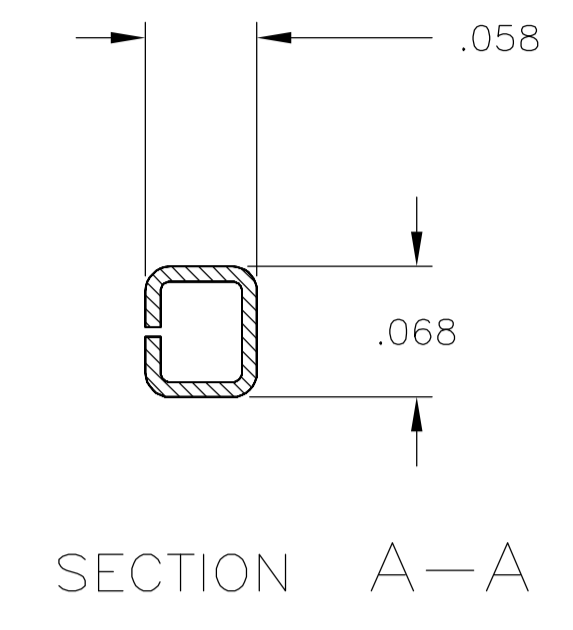
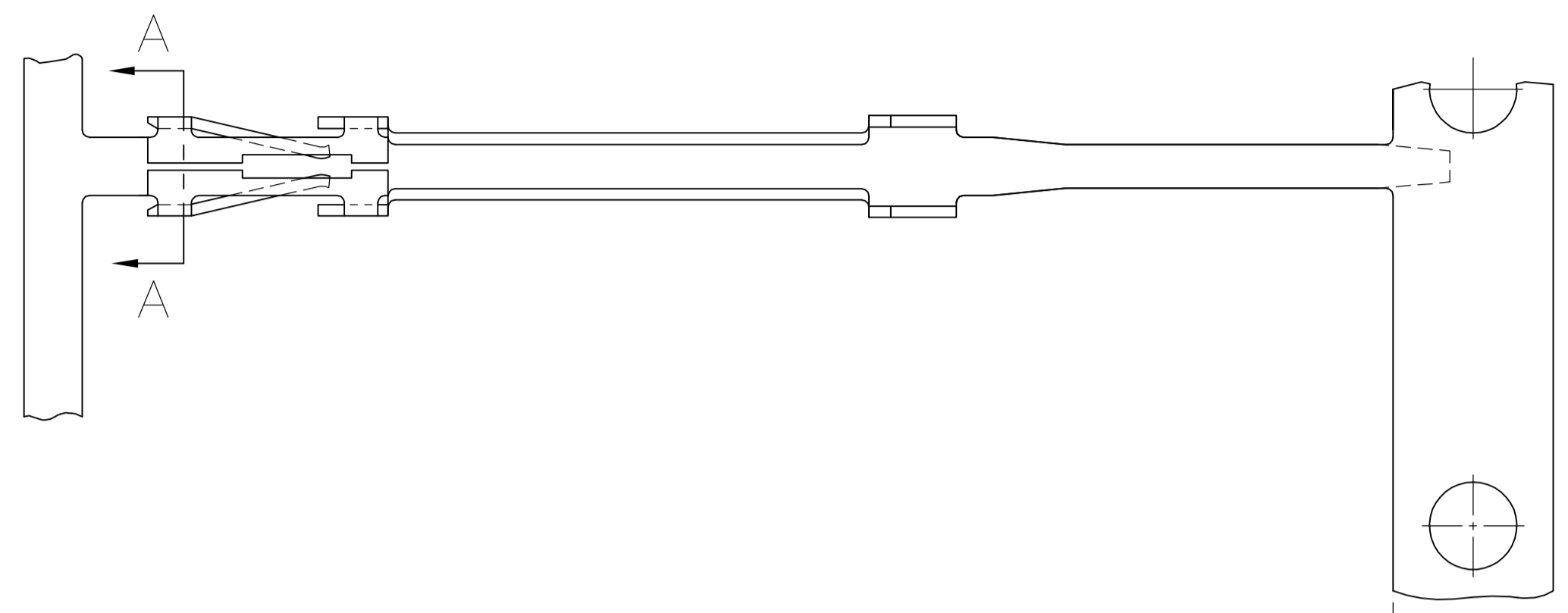
Contact us

Tel: +86-755-8981 8866 Fax: +86-755-8427 6832

Email & Skype: info@chipsmall.com Web: www.chipsmall.com

Address: A1208, Overseas Decoration Building, #122 Zhenhua RD., Futian, Shenzhen, China





- 1 MATERIAL: PHOSPHOR BRONZE ALLOY 521.
- 2 .000030 MIN GOLD ON CONTACT AREA OVER .000050-.000100 NICKEL ON ENTIRE CONTACT, GOLD FLASH OVER RECEPTACLE BOX, .000100-.000200 BRIGHT TIN ON TINE END.
- 3 .000030 MIN GOLD ON CONTACT AREA OVER .000050-.000100 NICKEL ON ENTIRE CONTACT, GOLD FLASH OVER RECEPTACLE BOX, .000100-.000200 MATTE TIN ON TINE END.
- 4 ROHS 2002/95/EC COMPLIANT.
- 5 .000015 MIN GOLD ON CONTACT AREA OVER .000050-.000100 NICKEL ON ENTIRE CONTACT, GOLD FLASH OVER RECEPTACLE BOX, .000100-.000200 MATTE TIN ON TINE END.

4	5	5-102067-3
4	3	5-102067-2
	2	102067-2
FINISH		PART NUMBER

THIS DRAWING IS A CONTROLLED DOCUMENT.		DWN R BROWN 11JUL01		Tyco Electronics Corporation Harrisburg, PA 17105-3608	
DIMENSIONS: INCHES		CHK J OLSON 11JUL01		NAME CONTACT, MOD IV, RECEPTACLE	
TOLERANCES UNLESS OTHERWISE SPECIFIED:		APVD J OLSON 11JUL01	PRODUCT SPEC		RESTRICTED TO
0 PLC ± -		APPLICATION SPEC		SIZE A1	CAGE CODE 00779
1 PLC ± -		WEIGHT		DRAWING NO 102067	
2 PLC ± -		CUSTOMER DRAWING		SCALE 10:1	SHEET 1 OF 1
3 PLC ± .005				REV A	
4 PLC ± -					
ANGLES ± -					
FINISH SEE TABLE					