



Chipsmall Limited consists of a professional team with an average of over 10 year of expertise in the distribution of electronic components. Based in Hongkong, we have already established firm and mutual-benefit business relationships with customers from,Europe,America and south Asia,supplying obsolete and hard-to-find components to meet their specific needs.

With the principle of “Quality Parts,Customers Priority,Honest Operation,and Considerate Service”,our business mainly focus on the distribution of electronic components. Line cards we deal with include Microchip,ALPS,ROHM,Xilinx,Pulse,ON,Everlight and Freescale. Main products comprise IC,Modules,Potentiometer,IC Socket,Relay,Connector.Our parts cover such applications as commercial,industrial, and automotives areas.

We are looking forward to setting up business relationship with you and hope to provide you with the best service and solution. Let us make a better world for our industry!



## Contact us

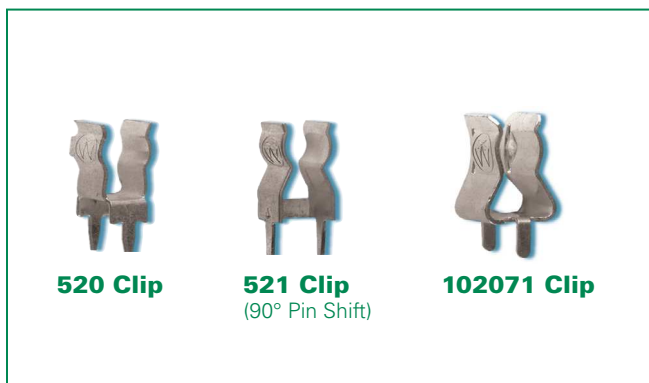
Tel: +86-755-8981 8866 Fax: +86-755-8427 6832

Email & Skype: info@chipsmall.com Web: www.chipsmall.com

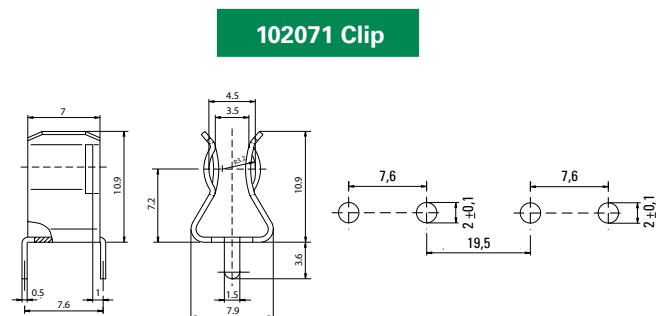
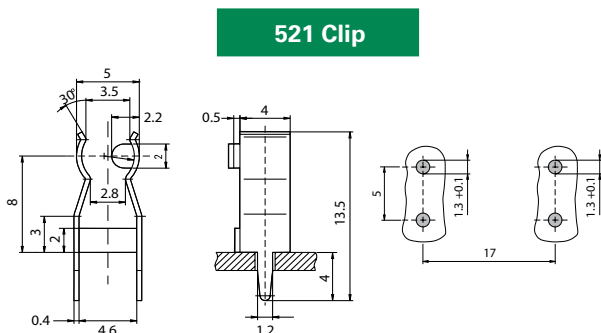
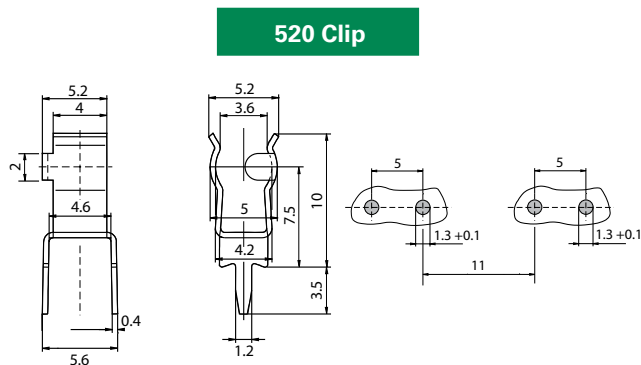
Address: A1208, Overseas Decoration Building, #122 Zhenhua RD., Futian, Shenzhen, China




## 520/521/102071 Series Circuit Board Mount Fuse Clips for 5mm & 6.3mm Diameter Fuses












### Product Dimensions



Product Characteristics			
	520 Clip	521 Clip	102071 Clip
<b>Compatible Fuse Size</b>	5mm Diameter		6.3mm Diameter
<b>Electrical Data (23°C)</b>	Rated Voltage: 250V		Rated Voltage: 500V
	Max. Current/Power: 6.3A/2.5W		Max. Current/Power: 10A/4W
<b>Mounting</b>	PC Board, 5mm pin spacing Solder pins 0.4x1.2mm		PC Board, 7.6 mm pin spacing Solder pins 0.5x1.5 mm
<b>Solderability</b>	245°C maximum, 3 sec. maximum (IEC 60068-2-20)		N/A
<b>Soldering Heat Resistance</b>	260°C, 10 sec. (IEC 60068-2-20)		N/A
<b>Minimum Cross Section</b>	Conducting path - 0.2mm <sup>2</sup>		
<b>Unit Weight</b>	0.4g		0.9g
<b>UL Agency Approval</b>	N/A	N/A	N/A

Agency Approval			
Agency	Agency File Number		
	520 Clip	521 Clip	102071 Clip
	N/A	N/A	E1472

Ordering Information			
Ordering PN	Clip Material	Plating	Packaging Available
52000001009	Phos Bronze	Tin plated	Bulk 2000
52100001009	Phos Bronze	Tin plated	Bulk 2000
10207101009	Brass	Tin plated	Bulk 1000

Additional Information		
 <b>Datasheet 520 Series</b>	 <b>Resources 520 Series</b>	 <b>Samples 520 Series</b>
 <b>Datasheet 521 Series</b>	 <b>Resources 521 Series</b>	 <b>Samples 521 Series</b>
 <b>Datasheet 102071 Series</b>	 <b>Resources 102071 Series</b>	 <b>Samples 102071 Series</b>