



Chipsmall Limited consists of a professional team with an average of over 10 year of expertise in the distribution of electronic components. Based in Hongkong, we have already established firm and mutual-benefit business relationships with customers from,Europe,America and south Asia,supplying obsolete and hard-to-find components to meet their specific needs.

With the principle of "Quality Parts,Customers Priority,Honest Operation,and Considerate Service",our business mainly focus on the distribution of electronic components. Line cards we deal with include Microchip,ALPS,ROHM,Xilinx,Pulse,ON,Everlight and Freescale. Main products comprise IC,Modules,Potentiometer,IC Socket,Relay,Connector.Our parts cover such applications as commercial,industrial, and automotives areas.

We are looking forward to setting up business relationship with you and hope to provide you with the best service and solution. Let us make a better world for our industry!



## Contact us

Tel: +86-755-8981 8866 Fax: +86-755-8427 6832

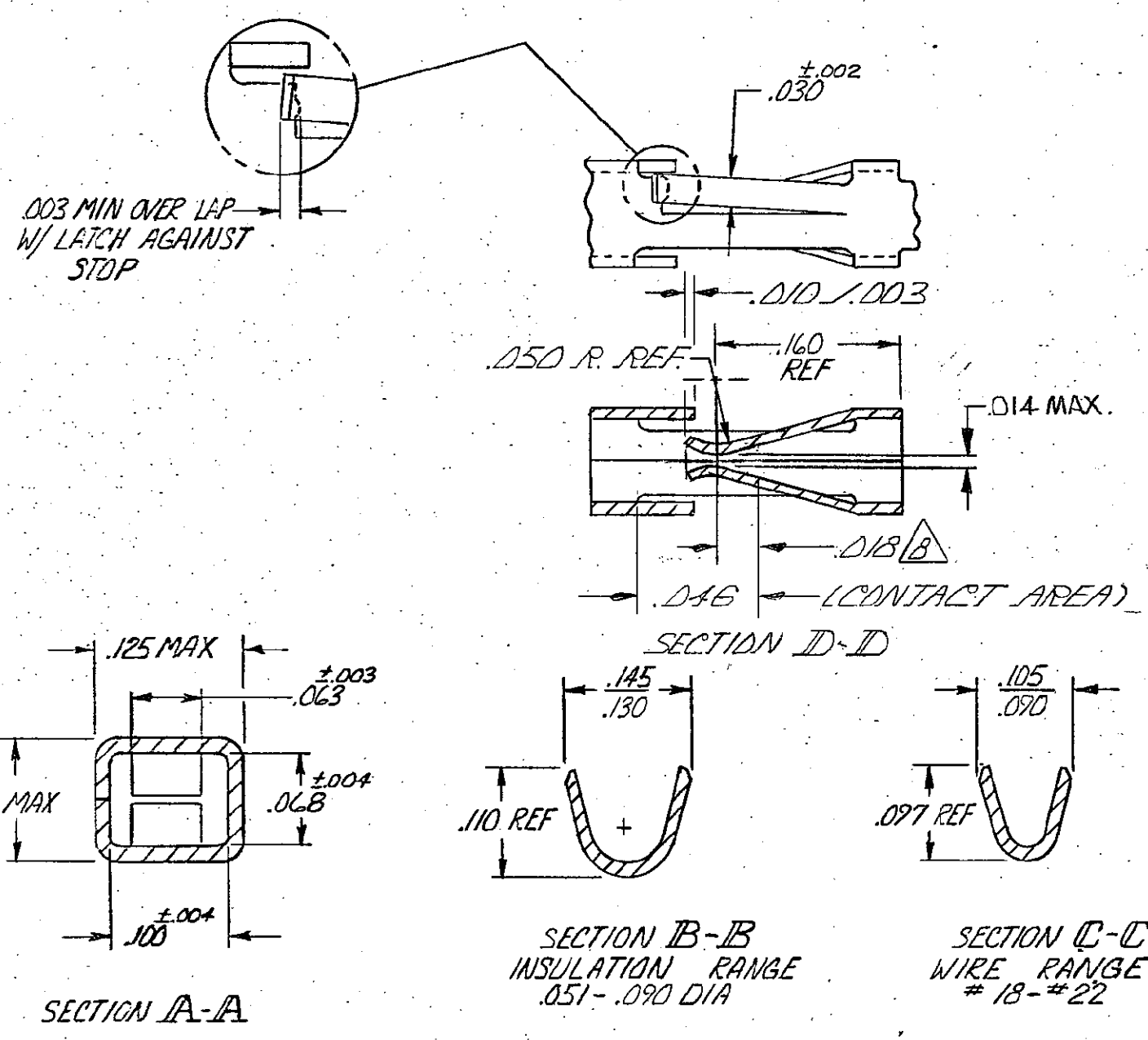
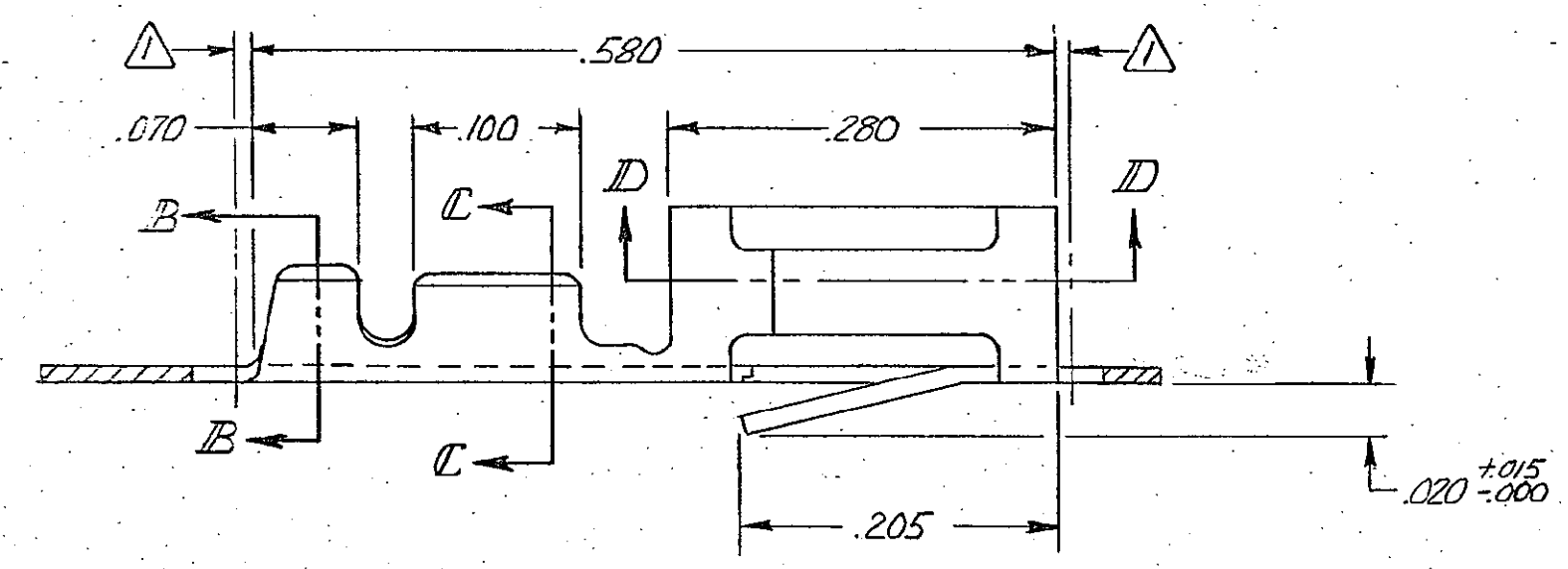
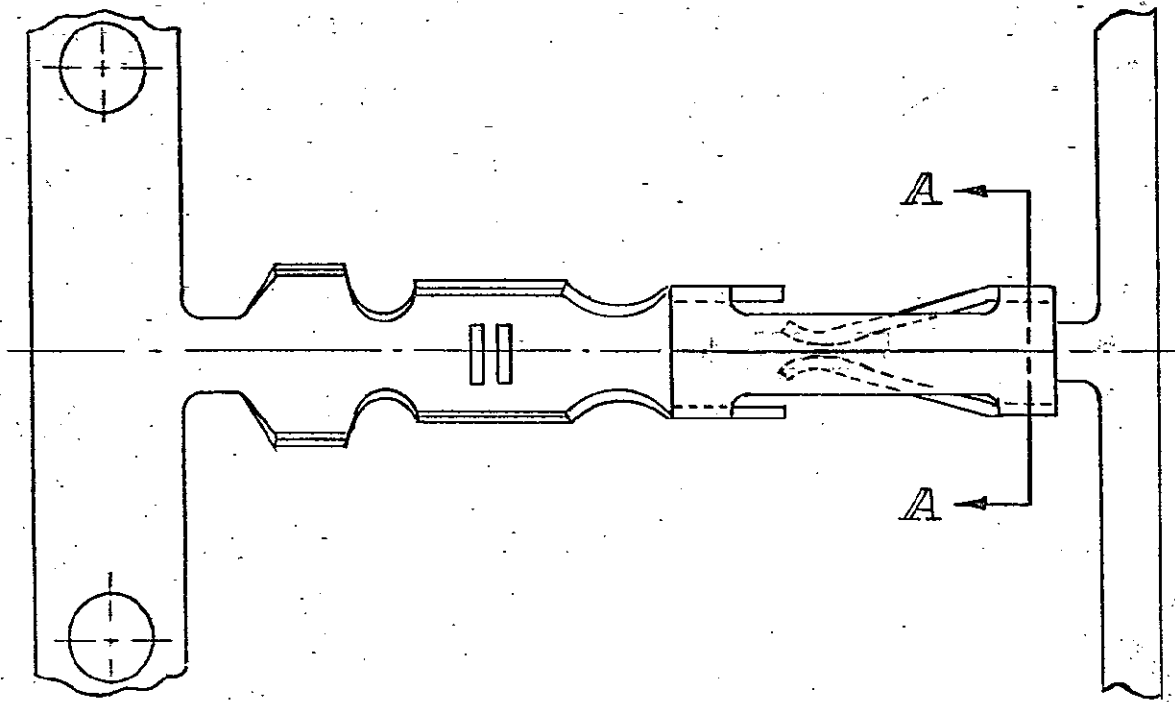
Email & Skype: info@chipsmall.com Web: www.chipsmall.com

Address: A1208, Overseas Decoration Building, #122 Zhenhua RD., Futian, Shenzhen, China



© COPYRIGHT 1973 BY AMP INCORPORATED, HARRISBURG, PA.  
 ALL INTERNATIONAL RIGHTS RESERVED. AMP INCORPORATED PRODUCTS  
 COVERED BY U. S. AND FOREIGN PATENTS AND/OR PATENTS PENDING.

REVISIONS					
REV	ZONE	LTR	DESCRIPTION	DATE	APPROVED
			RELEASE		
A			REVISED PER ECN 2161	5-24-78	DM
B			REV ECN 203	6-4-78	DM
C			REV ECN 1963	6-10-78	SB
D			RE-RELEASE - 7	8-15-89	MSJ
E			ADDED - 6 & - 8 PER 2745 & AR2373	4-18-89	MLC
F			REV LOC & DIST AD-471	11-29-89	BF
G			OBS - 8 PER 0010-0724-93	8-12-93	SAS
H			REV PER 0010-1545-93	1-10-94	SAS
I			REV PER 0010-1125-94	12-14-94	JH
J			REV PER 0010-0947-96	6-3-96	CB/JH
K			REV PER 063C-0062-00	11-16-08	MZ



- 1. .010 MAX CUT-OFF TAB FOR LOOSE PIECE.
- 2. GOLD FLASH OVER .000050 NICKEL ENTIRE CONTACT, .000015 GOLD ON CONTACT AREA
- 3. GOLD FLASH OVER .000050 NICKEL ENTIRE CONTACT .000030 GOLD ON CONTACT AREA.
- 4. .000016 MIN TIN.
- 5. LUBRICATED
- 6. .000015 GOLD ON CONTACT AREA, .000050-.000100 BRIGHT TIN-LEAD ON TERMINATION AREA, ALL OVER .000050 NICKEL ENTIRE TERMINAL.
- 7. .000030 GOLD ON CONTACT AREA, .000050-.000100 BRIGHT TIN-LEAD ON TERMINATION AREA, ALL OVER .000050 NICKEL ENTIRE TERMINAL.
- 8. POINT OF MEASUREMENT FOR PLATING THICKNESS.
- 9. OBSOLETE PART NUMBER
- 10. .000030 GOLD OVER NICKEL ON ENTIRE CONTACT.
- 11. SUPERSEDED BY 102099-2

10	102103-6A	102099-8
7	102103-5	102099-7
6	102103-4	102099-6
4	102103-3	102099-5
3	102103-2	102099-2
2	102103-1	102099-1
FINISH	LOOSE PIECE P/N	PART NO

UNLESS OTHERWISE SPECIFIED DIMENSIONS ARE IN INCHES. TOLERANCES ON: DECIMALS ±.005 ANGLES ±	CONTRACT NO	AMP INCORPORATED Harrisburg, Pa.	
	DR <i>Tom Radwin</i> 4-12-78		NAME CONTACT, MOD I, RECEPTACLE, CRIMP SNAP-IN, STD. PRESSURE, # 18 - # 22 AWG, SIDE FEED
	CHK <i>B. H. H. H.</i> 4-27-78		
	MATERIAL PHOS. BRONZE		
FINISH SEE TABLE	DSGN APPD <i>R. Bennett</i> 5/11/75	SIZE CODE IDENT NO DRAWING NO C 00779 102099	
	OTHER APPD	SCALE SHEET	