



Chipsmall Limited consists of a professional team with an average of over 10 year of expertise in the distribution of electronic components. Based in Hongkong, we have already established firm and mutual-benefit business relationships with customers from,Europe,America and south Asia,supplying obsolete and hard-to-find components to meet their specific needs.

With the principle of “Quality Parts,Customers Priority,Honest Operation,and Considerate Service”,our business mainly focus on the distribution of electronic components. Line cards we deal with include Microchip,ALPS,ROHM,Xilinx,Pulse,ON,Everlight and Freescale. Main products comprise IC,Modules,Potentiometer,IC Socket,Relay,Connector.Our parts cover such applications as commercial,industrial, and automotives areas.

We are looking forward to setting up business relationship with you and hope to provide you with the best service and solution. Let us make a better world for our industry!



## Contact us

Tel: +86-755-8981 8866 Fax: +86-755-8427 6832

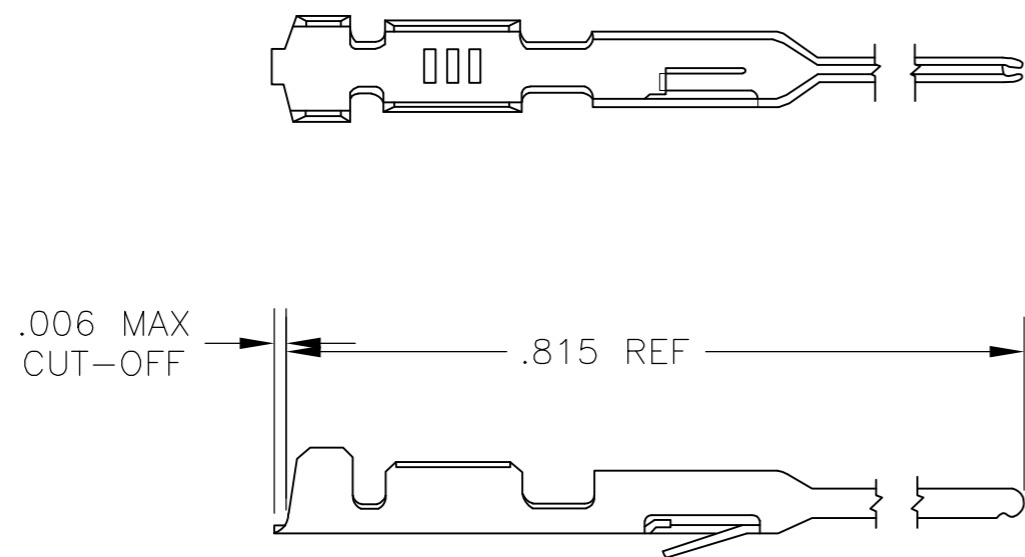
Email & Skype: info@chipsmall.com Web: www.chipsmall.com

Address: A1208, Overseas Decoration Building, #122 Zhenhua RD., Futian, Shenzhen, China



THIS DRAWING IS UNPUBLISHED. RELEASED FOR PUBLICATION  
 © COPYRIGHT - By - ALL RIGHTS RESERVED.

LOC		DIST		REVISIONS			
P	LTR	DESCRIPTION		DATE	DWN	APVD	
	B1	REVISED PER ECO-11-004820		11MAR11	RK	HMR	



1. LOOSE PIECE CONTACTS MUST MEET ALL APPLICABLE STRIP SPECIFICATIONS IN ADDITION TO THOSE SHOWN

- △2 GOLD FLASH OVER .000050 NICKEL ENTIRE CONTACT, .000015 GOLD ON CONTACT AREA
- △3 GOLD FLASH OVER .000050 NICKEL ENTIRE CONTACT, .000030 GOLD ON CONTACT AREA
- △4 .000100-.000200 BRIGHT TIN OVER .000030 NICKEL
- △5 .000100-.000200 MATTE TIN OVER .000030 NICKEL

△5	5-102095-4	5-102107-3
△4	102095-4	102107-3
△3	102095-3	102107-2
△2	102095-2	102107-1
FINISH	STRIP PART NO	PART NO

THIS DRAWING IS A CONTROLLED DOCUMENT.		DWN	18 APR 79	TE Connectivity	
		CHK	24 APR 79		
		APVD	26 APR 79		
DIMENSIONS: INCHES	TOLERANCES UNLESS OTHERWISE SPECIFIED:	PRODUCT SPEC		NAME	
	0 PLC ± -	APPLICATION SPEC		CONTACT, PIN, MOD IV, LOOSE PIECE	
	1 PLC ± -			SIZE	
	2 PLC ± -			CAGE CODE	
	3 PLC ± -			DRAWING NO	
	4 PLC ± -			RESTRICTED TO	
	ANGLES ± -			A2 00779 C-102107	
MATERIAL	FINISH	WEIGHT		SCALE	
PHOS BRONZE	SEE TABLE	-		4:1	
		CUSTOMER DRAWING		SHEET 1 OF 1	
				REV B1	