



Chipsmall Limited consists of a professional team with an average of over 10 year of expertise in the distribution of electronic components. Based in Hongkong, we have already established firm and mutual-benefit business relationships with customers from,Europe,America and south Asia,supplying obsolete and hard-to-find components to meet their specific needs.

With the principle of “Quality Parts,Customers Priority,Honest Operation,and Considerate Service”,our business mainly focus on the distribution of electronic components. Line cards we deal with include Microchip,ALPS,ROHM,Xilinx,Pulse,ON,Everlight and Freescale. Main products comprise IC,Modules,Potentiometer,IC Socket,Relay,Connector.Our parts cover such applications as commercial,industrial, and automotives areas.

We are looking forward to setting up business relationship with you and hope to provide you with the best service and solution. Let us make a better world for our industry!



Contact us

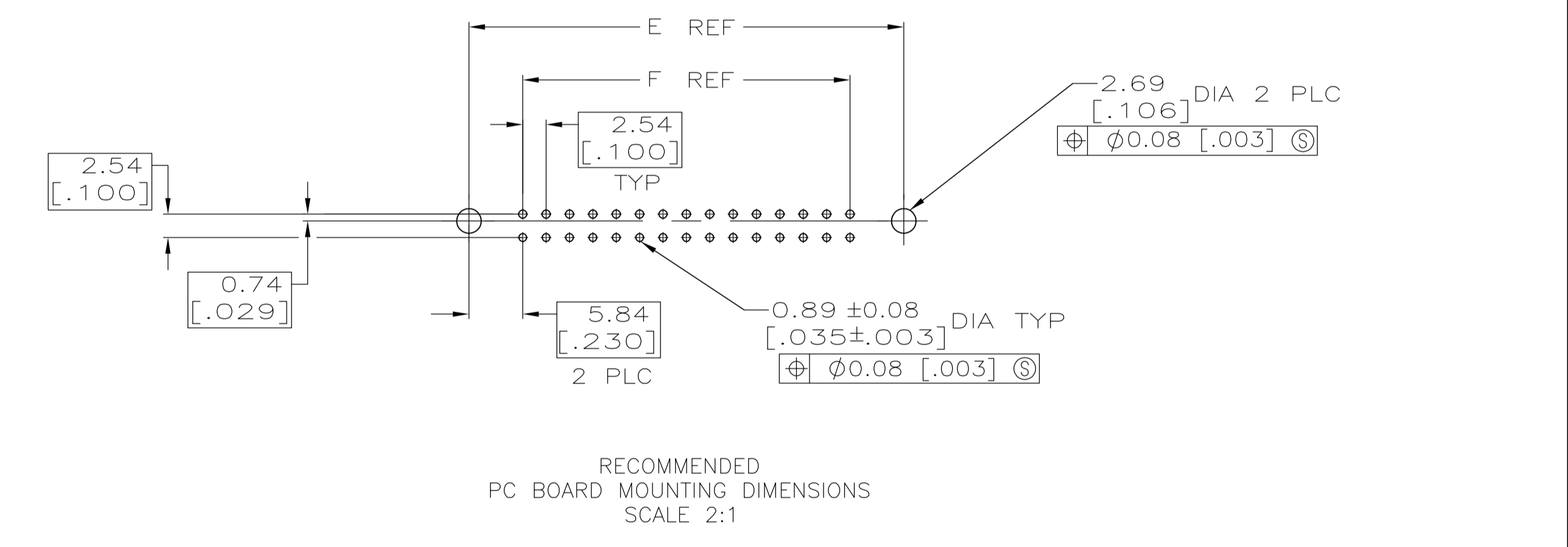
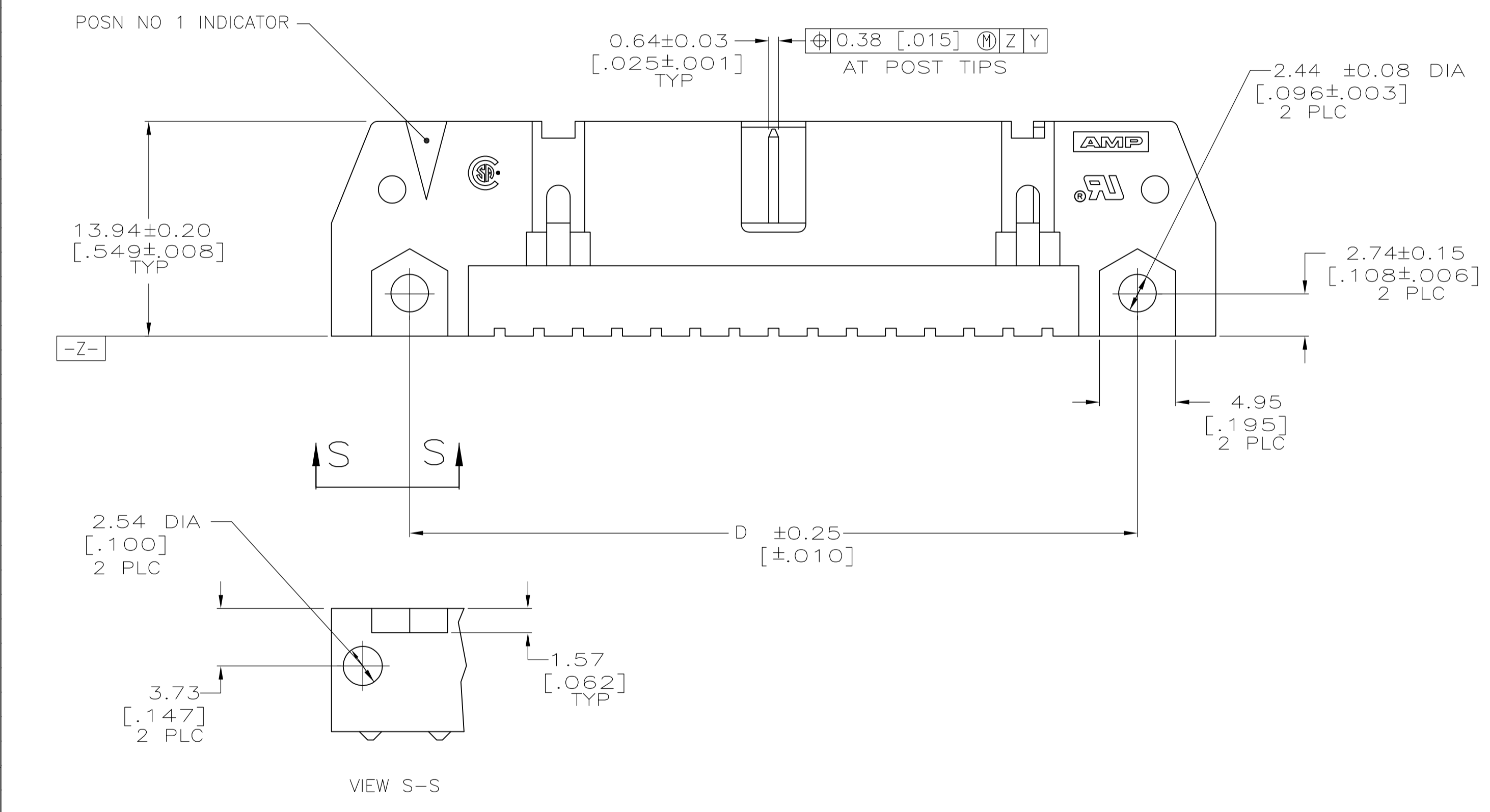
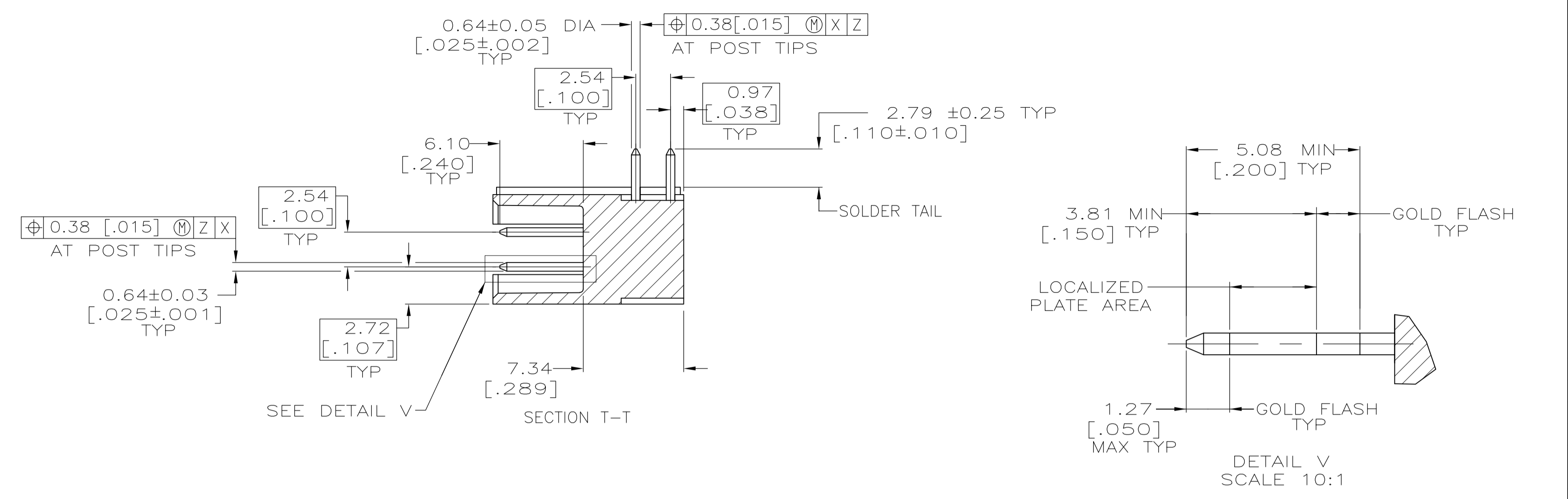
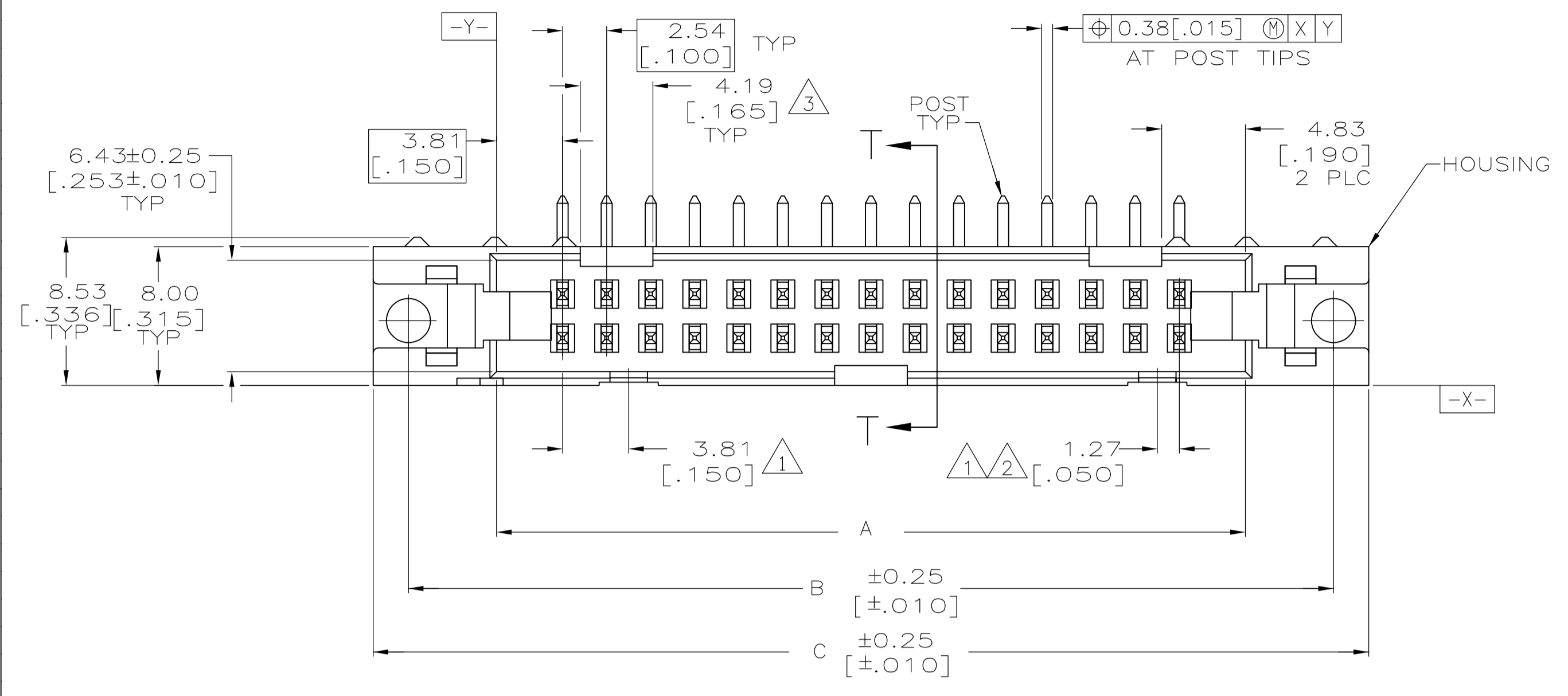
Tel: +86-755-8981 8866 Fax: +86-755-8427 6832

Email & Skype: info@chipsmall.com Web: www.chipsmall.com

Address: A1208, Overseas Decoration Building, #122 Zhenhua RD., Futian, Shenzhen, China



LOC		DIST		REVISIONS			
GP	00	P	LTR	DESCRIPTION	DATE	DWN	APVD
M1				REVISED PER ECO-11-004835	11MAR11	RK	HMR



THIS DRAWING IS A CONTROLLED DOCUMENT.		DIN H.MOLL 4-23-90	TE Connectivity	
DIMENSIONS: mm [INCHES]		CHK R.STONE 11/28/90		
TOLERANCES UNLESS OTHERWISE SPECIFIED:		APVD	NAME	
0 PLC ± -	1 PLC ± -	PRODUCT SPEC 108-40018		
2 PLC ± 0.13[005]	3 PLC ± -	APPLICATION SPEC		
4 PLC ± -	ANGLES ± -	SIZE A1	CAGE CODE 00779	DRAWING NO 102159
MATERIAL SEE SHEET 2	FINISH SEE SHEET 2	WEIGHT	CUSTOMER DRAWING	
		SCALE 4:1	SHEET 1 OF 2	REV M1

- ① COORDINATE DIMENSION APPLIES FROM BASIC LOCATION.
- ② 10 AND 14 POSITION SIZES CONTAIN ONLY ONE SLOT FOR SNAP-IN POLARIZER (MILITARY POLARIZATION) LOCATED AS SHOWN.
- ③ 10 POSITION SIZES CONTAIN ONLY ONE SLOT FOR DUAL POLARIZATION, LOCATED AS SHOWN.
- 4. RECOMMENDED PRINTED CIRCUIT BOARD THICKNESS IS 1.57 [.062].
- ⑤ POSTS:
 GOLD FLASH OVER PALLADIUM-NICKEL PLATE, 0.38μm [.000015] MIN TOTAL ON THE LOCALIZED PLATE AREA,
 2.54μm [.000100] MIN TIN-LEAD PLATE ON THE SOLDER-TAIL,
 1.27μm [.000050] MIN NICKEL UNDERPLATE ON THE ENTIRE POST.
 OR
 0.38μm [.000015] MIN GOLD PLATE ON THE LOCALIZED PLATE AREA,
 2.54μm [.000100] MIN TIN-LEAD PLATE ON THE SOLDER-TAIL,
 1.27μm [.000050] MIN NICKEL UNDERPLATE ON THE ENTIRE POST.
- ⑥ MATERIAL:
 HOUSING: GLASS FILLED NYLON OR POLYESTER, 94V-0 RATED, BLACK.
 POSTS: BRASS.

OBSOLETE	53.34	65.02	65.02	75.18	71.12	60.96	44	1-102159-3
	[2.100]	[2.560]	[2.560]	[2.960]	[2.800]	[2.400]		
	78.74	90.42	90.42	100.58	96.52	86.36	64	1-102159-2
	[3.100]	[3.560]	[3.560]	[3.960]	[3.800]	[3.400]		
	73.66	85.34	85.34	95.50	91.44	81.28	60	1-102159-1
	[2.900]	[3.360]	[3.360]	[3.760]	[3.600]	[3.200]		
	60.96	72.64	72.64	82.80	78.74	68.58	50	1-102159-0
	[2.400]	[2.860]	[2.860]	[3.260]	[3.100]	[2.700]		
	48.26	59.94	59.94	70.10	66.04	55.88	40	102159-9
	[1.900]	[2.360]	[2.360]	[2.760]	[2.600]	[2.200]		
	40.64	52.32	52.32	62.48	58.42	48.26	34	102159-8
	[1.600]	[2.060]	[2.060]	[2.460]	[2.300]	[1.900]		
	35.56	47.24	47.24	57.40	53.34	43.18	30	102159-7
	[1.400]	[1.860]	[1.860]	[2.260]	[2.100]	[1.700]		
	30.48	42.16	42.16	52.32	48.26	38.10	26	102159-6
	[1.200]	[1.660]	[1.660]	[2.060]	[1.900]	[1.500]		
OBSOLETE	27.94	39.62	39.62	49.78	45.72	35.56	24	102159-5
	[1.100]	[1.560]	[1.560]	[1.960]	[1.800]	[1.400]		
	22.86	34.54	34.54	44.70	40.64	30.48	20	102159-4
	[.900]	[1.360]	[1.360]	[1.760]	[1.600]	[1.200]		
	17.78	29.46	29.46	39.62	35.56	25.40	16	102159-3
	[.700]	[1.160]	[1.160]	[1.560]	[1.400]	[1.000]		
	15.24	26.92	26.92	37.08	33.02	22.86	14	102159-2
	[.600]	[1.060]	[1.060]	[1.460]	[1.300]	[.900]		
	10.16	21.84	21.84	32.00	27.94	17.78	10	102159-1
	[.400]	[.860]	[.860]	[1.260]	[1.100]	[.700]		
	F	E	D	C	B	A	NO OF POSN	PART NUMBER

THIS DRAWING IS A CONTROLLED DOCUMENT.		DIN 4-23-90	H. MOLL	
DIMENSIONS: mm [INCHES]		TOLERANCES UNLESS OTHERWISE SPECIFIED:	R. STONE	
0. PLC ± -		1. PLC ± -	APVD -	
2. PLC ± 0.13[.005]		3. PLC ± -	NAME	
4. PLC ± -		ANGLES ± -	PRODUCT SPEC	
MATERIAL		FINISH	APPLICATION SPEC	
⑥		⑤	SIZE	
			CAGE CODE	
			DRAWING NO	
			RESTRICTED TO	
			WEIGHT	
			A1 00779	
			102159	
			CUSTOMER DRAWING	
			SCALE 4:1	
			SHEET 2 OF 2	
			REV M1	