



Chipsmall Limited consists of a professional team with an average of over 10 year of expertise in the distribution of electronic components. Based in Hongkong, we have already established firm and mutual-benefit business relationships with customers from,Europe,America and south Asia,supplying obsolete and hard-to-find components to meet their specific needs.

With the principle of “Quality Parts,Customers Priority,Honest Operation,and Considerate Service”,our business mainly focus on the distribution of electronic components. Line cards we deal with include Microchip,ALPS,ROHM,Xilinx,Pulse,ON,Everlight and Freescale. Main products comprise IC,Modules,Potentiometer,IC Socket,Relay,Connector.Our parts cover such applications as commercial,industrial, and automotives areas.

We are looking forward to setting up business relationship with you and hope to provide you with the best service and solution. Let us make a better world for our industry!



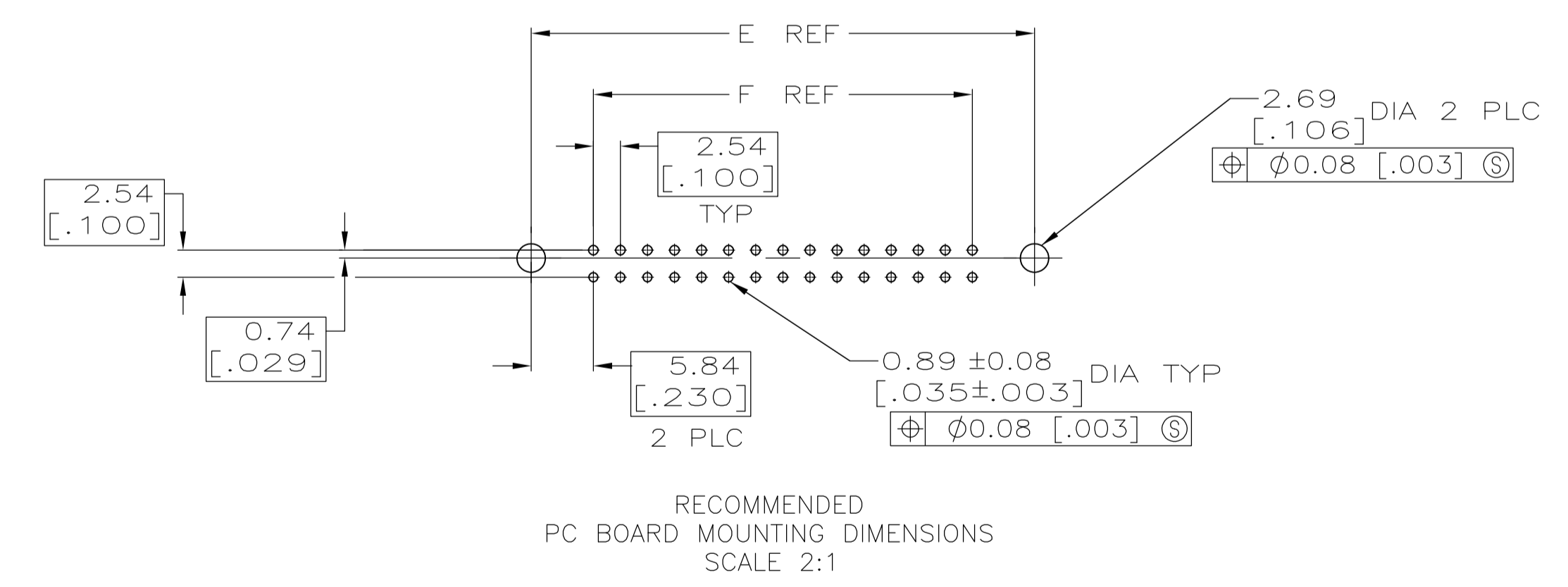
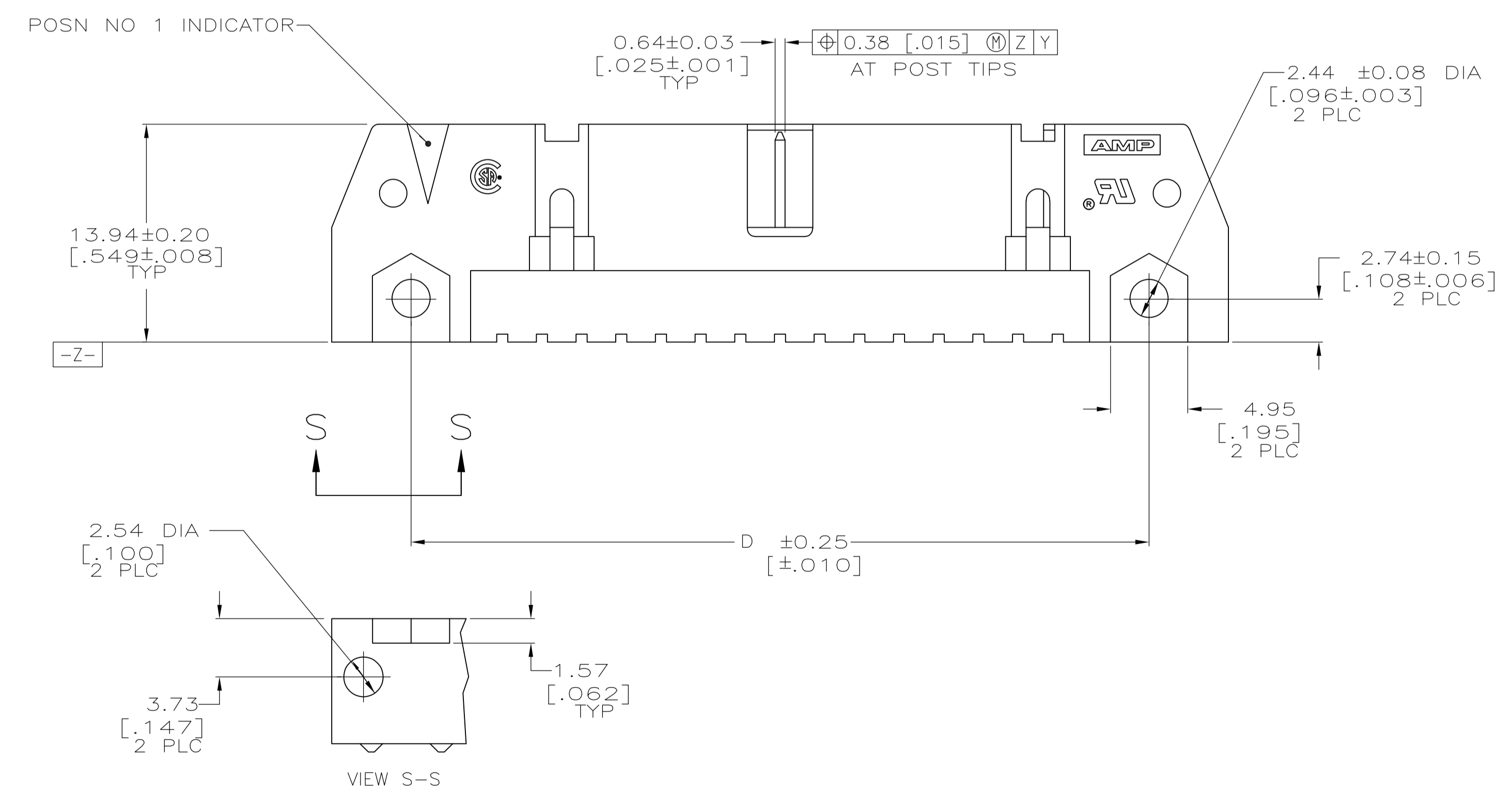
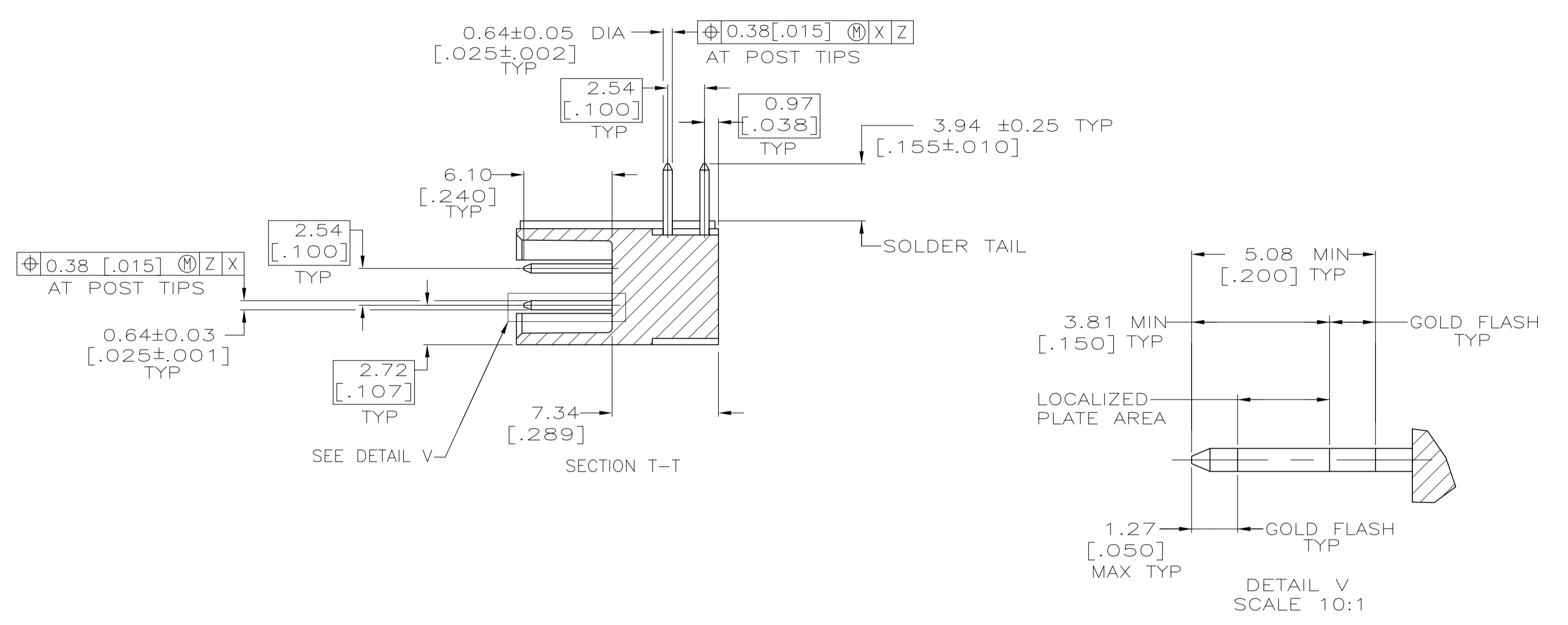
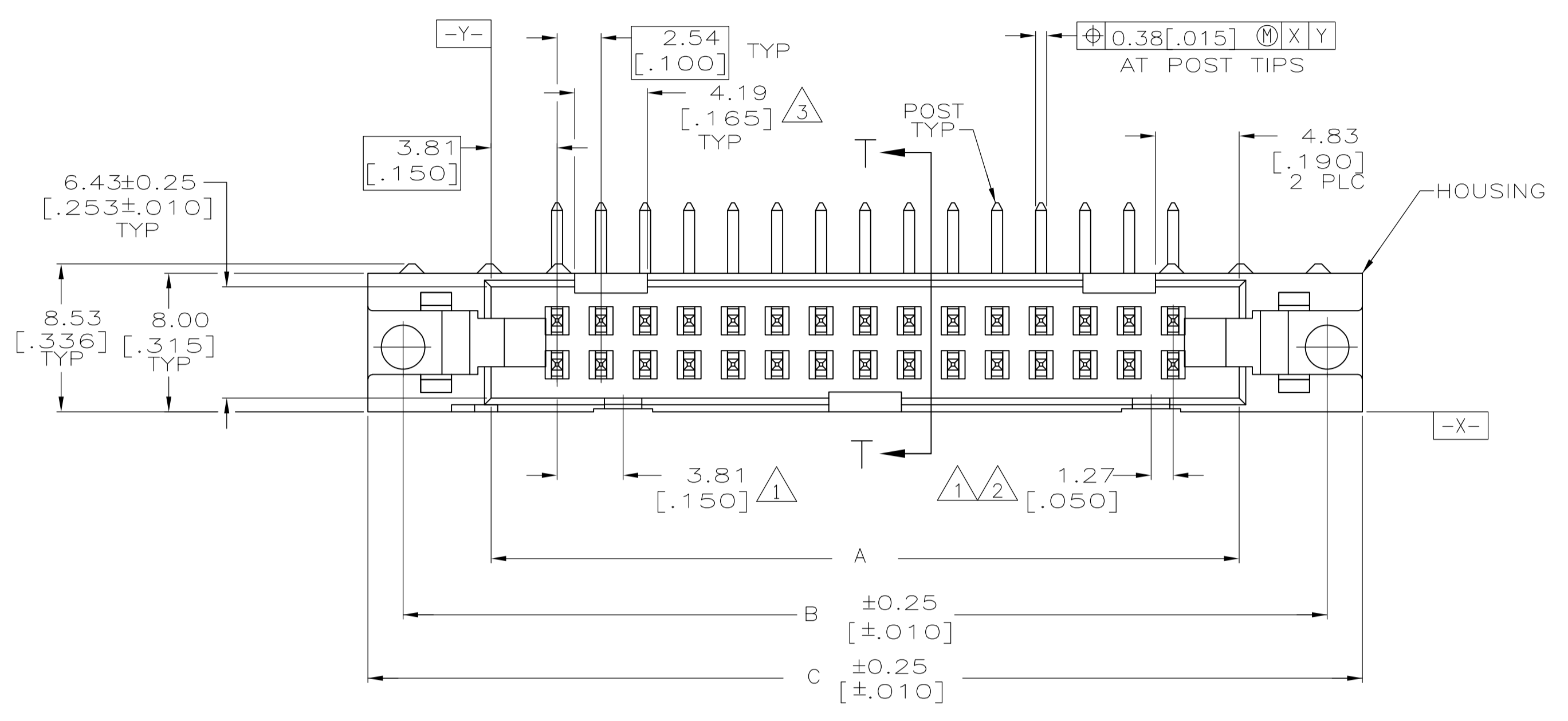
## Contact us

Tel: +86-755-8981 8866 Fax: +86-755-8427 6832

Email & Skype: info@chipsmall.com Web: www.chipsmall.com

Address: A1208, Overseas Decoration Building, #122 Zhenhua RD., Futian, Shenzhen, China





THIS DRAWING IS A CONTROLLED DOCUMENT.		DIN H.MOLL 4-23-90	Tyco Electronics Tyco Electronics Corporation Harrisburg, PA 17105-3608
DIMENSIONS: mm [INCHES]		CHK R.STONE 11-28-90	
TOLERANCES UNLESS OTHERWISE SPECIFIED:		APVD	NAME
0 PLC ± -	1 PLC ± -	PRODUCT SPEC 108-40018	
2 PLC ± 0.13[.005]	3 PLC ± -	APPLICATION SPEC	
4 PLC ± -	ANGLES ± -	SIZE A1	CAGE CODE 00779
MATERIAL SEE SHEET 2	FINISH SEE SHEET 2	WEIGHT	DRAWING NO 102161
		CUSTOMER DRAWING	
		SCALE 4:1	SHEET 1 OF 2

- △ COORDINATE DIMENSION APPLIES FROM BASIC LOCATION.
- △ 10 AND 14 POSITION SIZES CONTAIN ONLY ONE SLOT FOR SNAP-IN POLARIZER (MILITARY POLARIZATION) LOCATED AS SHOWN.
- △ 10 POSITION SIZES CONTAIN ONLY ONE SLOT FOR DUAL POLARIZATION, LOCATED AS SHOWN.
- 4. RECOMMENDED PRINTED CIRCUIT BOARD THICKNESS IS 3.18 [.125].
- △ POSTS:  
 GOLD FLASH OVER PALLADIUM-NICKEL PLATE, 0.38μm [.000015] MIN TOTAL ON THE LOCALIZED PLATE AREA,  
 2.54μm [.000100] MIN TIN-LEAD PLATE ON THE SOLDER-TAIL,  
 1.27μm [.000050] MIN NICKEL UNDERPLATE ON THE ENTIRE POST.  
 OR  
 0.38μm [.000015] MIN GOLD PLATE ON THE LOCALIZED PLATE AREA,  
 2.54μm [.000100] MIN TIN-LEAD PLATE ON THE SOLDER-TAIL,  
 1.27μm [.000050] MIN NICKEL UNDERPLATE ON THE ENTIRE POST.
- △ MATERIAL:  
 HOUSING: GLASS FILLED NYLON OR POLYESTER, 94V-0 RATED, BLACK.  
 POSTS: BRASS.
- △ OBSOLETE PARTS: OBSOLETE CIS STREAMLINING PER DRENAUD/D.SINISI

OBSOLETE	53.34	65.02	65.02	75.18	71.12	60.96	44	1-102161-3
	[2.100]	[2.560]	[2.560]	[2.960]	[2.800]	[2.400]		
OBSOLETE	78.74	90.42	90.42	100.58	96.52	86.36	64	1-102161-2
	[3.100]	[3.560]	[3.560]	[3.960]	[3.800]	[3.400]		
OBSOLETE	73.66	85.34	85.34	95.50	91.44	81.28	60	1-102161-1
	[2.900]	[3.360]	[3.360]	[3.760]	[3.600]	[3.200]		
OBSOLETE	60.96	72.64	72.64	82.80	78.74	68.58	50	1-102161-0
	[2.400]	[2.860]	[2.860]	[3.260]	[3.100]	[2.700]		
OBSOLETE	48.26	59.94	59.94	70.10	66.04	55.88	40	102161-9
	[1.900]	[2.360]	[2.360]	[2.760]	[2.600]	[2.200]		
	40.64	52.32	52.32	62.48	58.42	48.26	34	102161-8
	[1.600]	[2.060]	[2.060]	[2.460]	[2.300]	[1.900]		
△ SUPERCEDED	35.56	47.24	47.24	57.40	53.34	43.18	30	102161-7
	[1.400]	[1.860]	[1.860]	[2.260]	[2.100]	[1.700]		
OBSOLETE	30.48	42.16	42.16	52.32	48.26	38.10	26	102161-6
	[1.200]	[1.660]	[1.660]	[2.060]	[1.900]	[1.500]		
	27.94	39.62	39.62	49.78	45.72	35.56	24	102161-5
	[1.100]	[1.560]	[1.560]	[1.960]	[1.800]	[1.400]		
	22.86	34.54	34.54	44.70	40.64	30.48	20	102161-4
	[.900]	[1.360]	[1.360]	[1.760]	[1.600]	[1.200]		
OBSOLETE	17.78	29.46	29.46	39.62	35.56	25.40	16	102161-3
	[.700]	[1.160]	[1.160]	[1.560]	[1.400]	[1.000]		
	15.24	26.92	26.92	37.08	33.02	22.86	14	102161-2
	[.600]	[1.060]	[1.060]	[1.460]	[1.300]	[.900]		
OBSOLETE	10.16	21.84	21.84	32.00	27.94	17.78	10	102161-1
	[.400]	[.860]	[.860]	[1.260]	[1.100]	[.700]		
	F	E	D	C	B	A	NO OF POSN	PART NUMBER

THIS DRAWING IS A CONTROLLED DOCUMENT.		DIN 4-23-90	Tyco Electronics Corporation	
DIMENSIONS: mm [INCHES]		CHK R.STONE 11-28-90	Harrisburg, PA 17105-3608	
TOLERANCES UNLESS OTHERWISE SPECIFIED:		APVD	NAME	
0 PLC ± -	1 PLC ± -	PRODUCT SPEC		
2 PLC ± 0.13[.005]	3 PLC ± -	108-40018		
4 PLC ± -	ANGLES ± -	APPLICATION SPEC		
MATERIAL	FINISH	SIZE	CAGE CODE	DRAWING NO
△ 6	△ 5	A1	00779	102161
CUSTOMER DRAWING		WEIGHT	SCALE	SHEET
			4:1	2 OF 2