



Chipsmall Limited consists of a professional team with an average of over 10 year of expertise in the distribution of electronic components. Based in Hongkong, we have already established firm and mutual-benefit business relationships with customers from,Europe,America and south Asia,supplying obsolete and hard-to-find components to meet their specific needs.

With the principle of “Quality Parts,Customers Priority,Honest Operation,and Considerate Service”,our business mainly focus on the distribution of electronic components. Line cards we deal with include Microchip,ALPS,ROHM,Xilinx,Pulse,ON,Everlight and Freescale. Main products comprise IC,Modules,Potentiometer,IC Socket,Relay,Connector.Our parts cover such applications as commercial,industrial, and automotives areas.

We are looking forward to setting up business relationship with you and hope to provide you with the best service and solution. Let us make a better world for our industry!



## Contact us

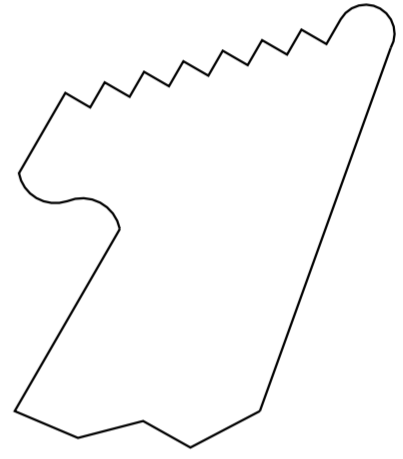
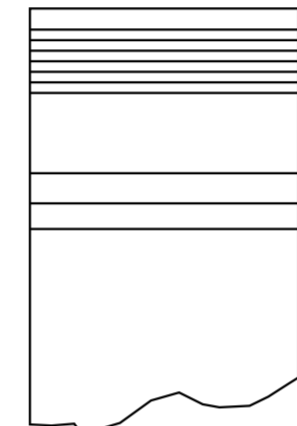
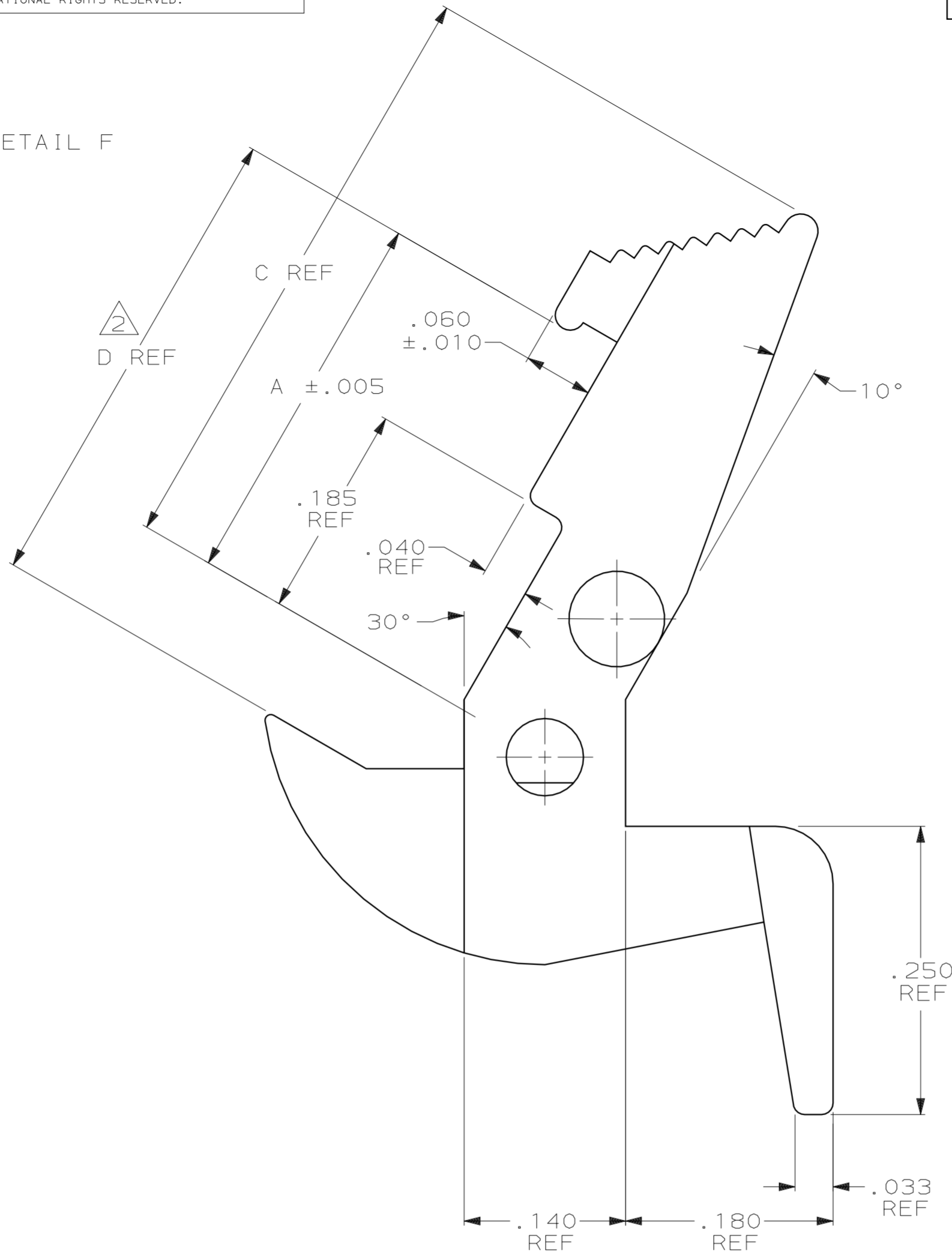
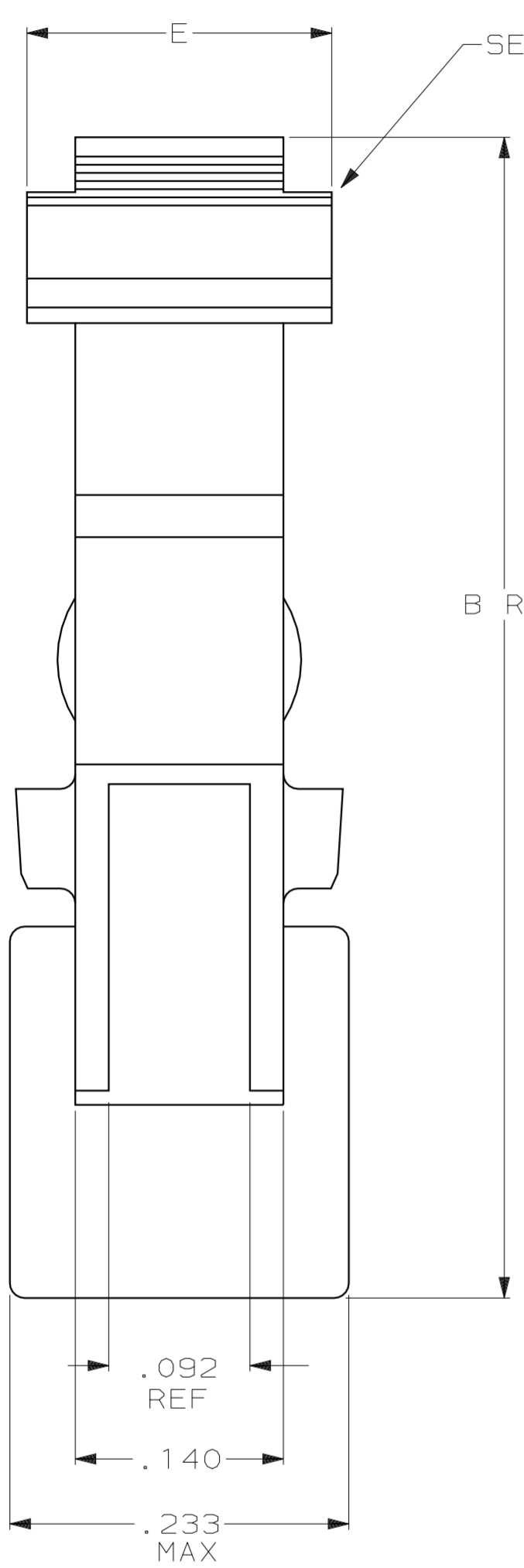
Tel: +86-755-8981 8866 Fax: +86-755-8427 6832

Email & Skype: info@chipsmall.com Web: www.chipsmall.com

Address: A1208, Overseas Decoration Building, #122 Zhenhua RD., Futian, Shenzhen, China



LOC	DIST	P	F	REVISIONS			DATE	APPD
GP	00			ZONE	LTR	DESCRIPTION		
				E1		REVISED PER ECO 05-016508	01MAR06	JG



DETAIL F  
(FOR -2 ONLY)  
①

.140	.474	.572	.840	.388	① 102185-2
.205	.416	.519	.785	.330	102185-1
E	D	C	B	A	PART NUMBER

① TO BE USED WITH AMP-LATCH™ CONNECTOR WITH STANDARD COVER.  
 ② MATING RECEPTACLE HEIGHT.

DO NOT SCALE PRINT. UNLESS SPECIFIED DIMENSIONS IN INCHES TOLERANCES ON : 2 PLC DEC ± - 3 PLC DEC ± .005 ANGLES ± -	DR 07/25/90 K.L.CLOUSER/UTA	AMP Incorporated Harrisburg, PA 17105-3608		
	CHK - APPD - APPD -			NAME LATCH, UNIVERSAL HEADER, AMP-LATCH
MATERIAL FLAME RETARDANT PBT, UL94V-0 RATED, COLOR BLACK	PRODUCT SPEC -	SIZE C	CAGE CODE 00779	DRAWING NO 102185
FINISH -	APPLICATION SPEC -	SCALE 10:1	SHEET 1 OF 1	