



Chipsmall Limited consists of a professional team with an average of over 10 year of expertise in the distribution of electronic components. Based in Hongkong, we have already established firm and mutual-benefit business relationships with customers from,Europe,America and south Asia,supplying obsolete and hard-to-find components to meet their specific needs.

With the principle of “Quality Parts,Customers Priority,Honest Operation,and Considerate Service”,our business mainly focus on the distribution of electronic components. Line cards we deal with include Microchip,ALPS,ROHM,Xilinx,Pulse,ON,Everlight and Freescale. Main products comprise IC,Modules,Potentiometer,IC Socket,Relay,Connector.Our parts cover such applications as commercial,industrial, and automotives areas.

We are looking forward to setting up business relationship with you and hope to provide you with the best service and solution. Let us make a better world for our industry!



## Contact us

Tel: +86-755-8981 8866 Fax: +86-755-8427 6832

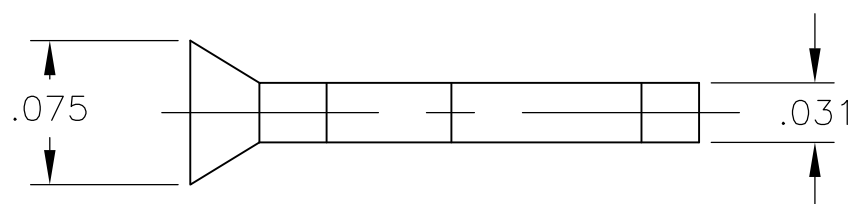
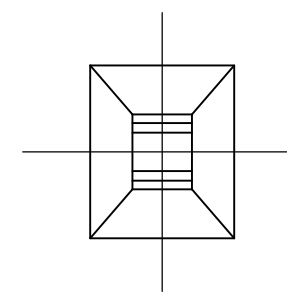
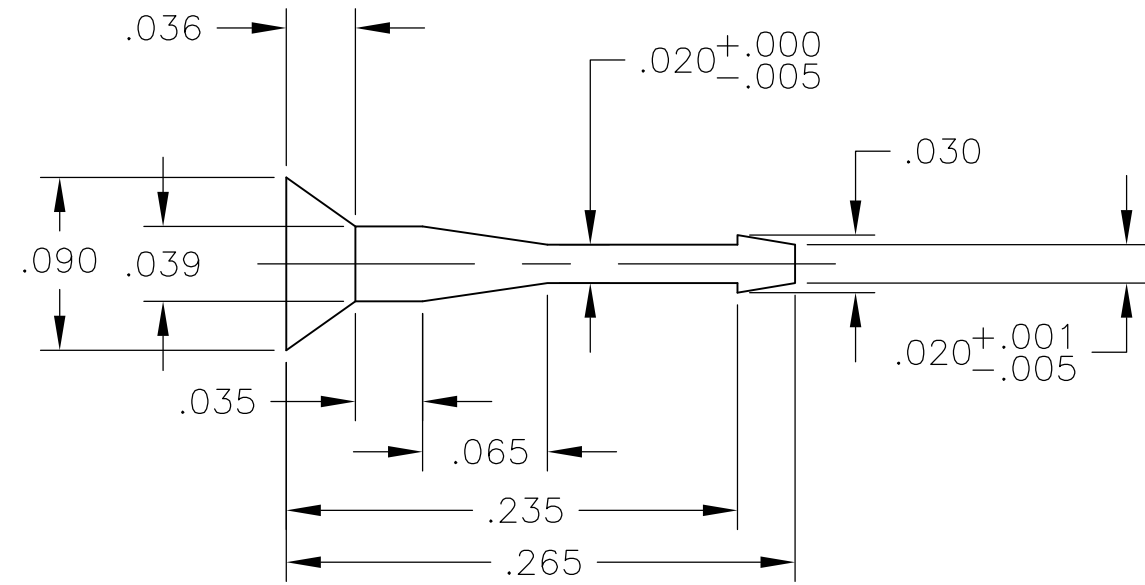
Email & Skype: info@chipsmall.com Web: www.chipsmall.com

Address: A1208, Overseas Decoration Building, #122 Zhenhua RD., Futian, Shenzhen, China

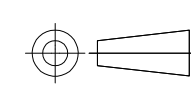


THIS DRAWING IS UNPUBLISHED. RELEASED FOR PUBLICATION  
 © COPYRIGHT BY TYCO ELECTRONICS CORPORATION. ALL RIGHTS RESERVED.

LOC	DIST	REVISIONS			
P	LTR	DESCRIPTION	DATE	DWN	APVD
DF	EO	B	REV PER 0H14-0426-04	5-8-07	CT NT



M55302/127-00KY 102188-1  
 MILITARY P/N PART NO.

THIS DRAWING IS A CONTROLLED DOCUMENT.		DWN	C.C.THOMAS	5-8-07	<b>AMP</b> Tyco Electronics Corporation Harrisburg, PA 17105-3608 NAME KEYING PLUG FOR MOD II, AND IV
DIMENSIONS: INCHES		CHK	N.THOMAS	5-8-07	
		APVD	N.THOMAS	5-8-07	
TOLERANCES UNLESS OTHERWISE SPECIFIED: 0 PLC ± - 1 PLC ± - 2 PLC ± - 3 PLC ± .003 4 PLC ± - ANGLES ± -		PRODUCT SPEC	-	-	
MATERIAL: NYLON 6/6; COLOR:NATURAL		FINISH	-	-	APPLICATION SPEC - WEIGHT - SIZE A3
		CUSTOMER DRAWING		SCALE	10:1
				SHEET	1 OF 1
				RESTRICTED TO	-
				DRAWING NO	C-102188
				REV	B