



Chipsmall Limited consists of a professional team with an average of over 10 year of expertise in the distribution of electronic components. Based in Hongkong, we have already established firm and mutual-benefit business relationships with customers from,Europe,America and south Asia,supplying obsolete and hard-to-find components to meet their specific needs.

With the principle of “Quality Parts,Customers Priority,Honest Operation,and Considerate Service”,our business mainly focus on the distribution of electronic components. Line cards we deal with include Microchip,ALPS,ROHM,Xilinx,Pulse,ON,Everlight and Freescale. Main products comprise IC,Modules,Potentiometer,IC Socket,Relay,Connector.Our parts cover such applications as commercial,industrial, and automotives areas.

We are looking forward to setting up business relationship with you and hope to provide you with the best service and solution. Let us make a better world for our industry!



## Contact us

Tel: +86-755-8981 8866 Fax: +86-755-8427 6832

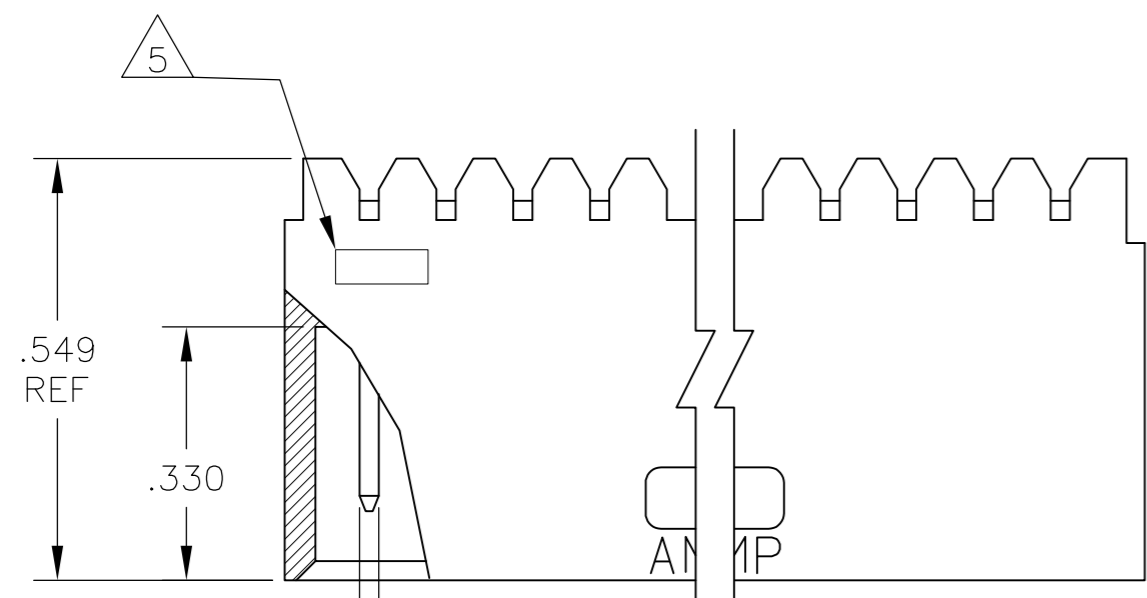
Email & Skype: info@chipsmall.com Web: www.chipsmall.com

Address: A1208, Overseas Decoration Building, #122 Zhenhua RD., Futian, Shenzhen, China

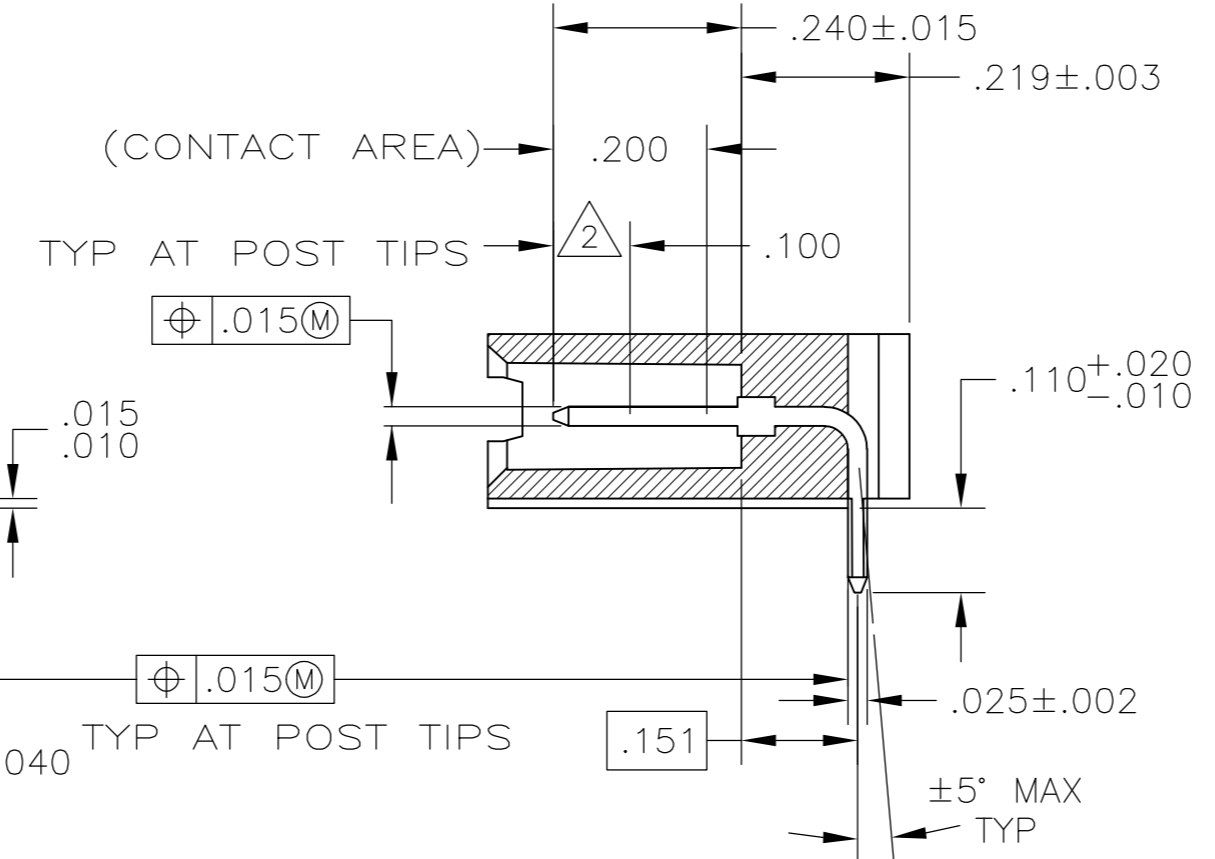
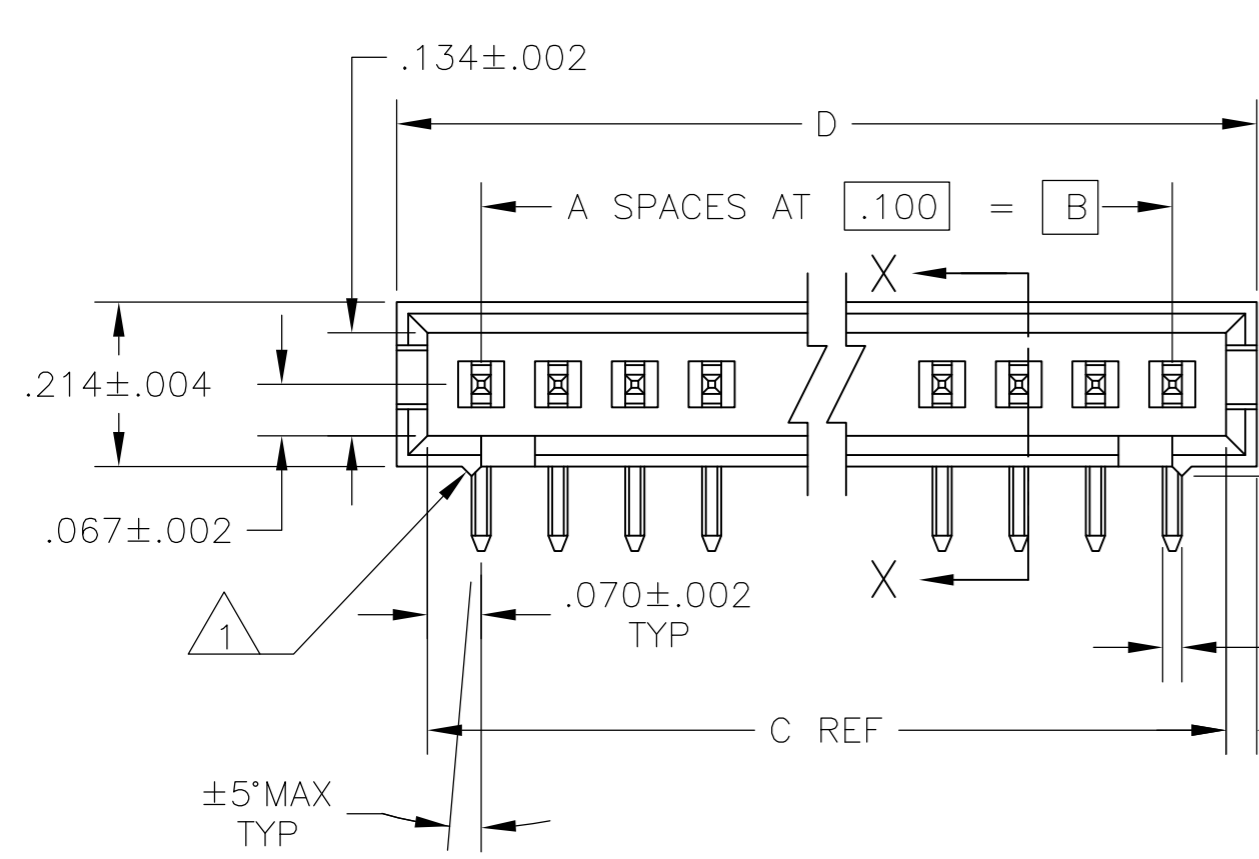


THIS DRAWING IS UNPUBLISHED. RELEASED FOR PUBLICATION  
 © COPYRIGHT - By - ALL RIGHTS RESERVED.

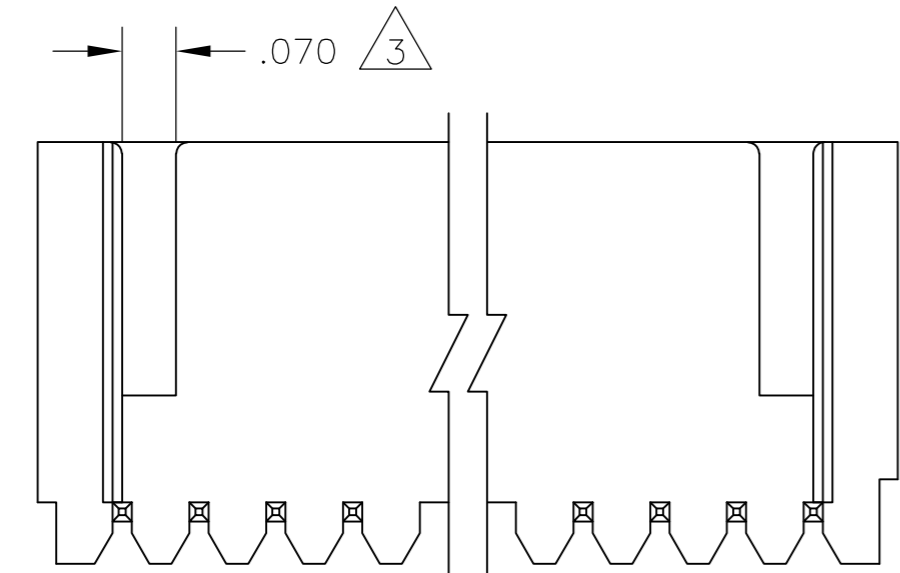
LOC		DIST		REVISIONS			
P	LTR	DESCRIPTION	DATE	DWN	APVD		
AD	00	W	REVISED PER ECO-12-008030	31JUL12	KH	MM	



$.025 \pm .001$  TYP  
 $\phi .015$  TYP AT POST TIPS



SECTION X-X



$B \pm .003$   
 $.100 \pm .003$  TYP TOLERANCE NON-CUMULATIVE

$\phi .035 \pm .003$  TYP

RECOMMENDED HOLE LAYOUT FOR MANUAL INSERTION

- 1 STANDOFFS: UP TO 9 POS-(2 REQD) ON THE OUTSIDE ENDS OF THE HOUSING 10 TO 19 POS-(3 REQD) TWO ON THE OUTSIDE ENDS AND ONE CENTERED ON THE HOUSING. 19 POS AND LARGER-(4 REQD) TWO ON THE OUTSIDE ENDS AND TWO SPACED EVENLY WITHIN THE REMAINING LENGTH OF THE HOUSING.
- 2 POINT OF MEASUREMENT FOR PLATING THICKNESS.
- 3 FOR 3 POS (3--4 & 3--9 ONLY) ONE SLOT, .215 WIDE.
- 4 INDICATED PARTS ARE PACKAGED IN "GANG-OF-TUBES".
- 5 RECESSED DATE CODE
- 6 INDICATED PARTS ARE PACKAGED IN "SINGLE TUBES".
- 7 .000015 GOLD ON THE CONTACT AREA, .000100-.000200 MATTE TIN-LEAD ON THE SOLDERTAIL, ALL OVER .000050 NICKEL.
- 8 .000015 GOLD ON THE CONTACT AREA, .000100-.000200 MATTE TIN ON THE SOLDERTAIL, ALL OVER .000050 NICKEL.
- 9 PRELIMINARY PART
- 10 OBSOLETE PARTS: OBSOLETE CIS STREAMLINING PER D.RENAUD/D.SINISI

THIS DRAWING IS A CONTROLLED DOCUMENT.		DWN	11JUN85		TE Connectivity						
		CHK	11JUN85		NAME						
DIMENSIONS: INCHES		TOLERANCES UNLESS OTHERWISE SPECIFIED:		ASSEMBLY, MOD II, HEADER, SINGLE ROW .100 C/L, RIGHT ANGLE, WITH .025 SQ POST							
		0 PLC	± -	PRODUCT SPEC	-						
		1 PLC	± -	APPLICATION SPEC	-						
		2 PLC	± -	WEIGHT	-						
		3 PLC	± .005	SCALE	4:1						
MATERIAL: RETARDANT THERMOPLASTIC, COLOR-BLACK, POSTS-PHOS BRONZE		FINISH: SEE TABLE		SIZE	A2	CAGE CODE	00779	DRAWING NO	C=102203	RESTRICTED TO	-
				CUSTOMER DRAWING			SHEET	1 of 2	REV	W	

THIS DRAWING IS UNPUBLISHED. RELEASED FOR PUBLICATION  
 © COPYRIGHT - By - ALL RIGHTS RESERVED.

LOC	DIST	REVISIONS					
AD	00	P	LTR	DESCRIPTION	DATE	DWN	APVD
		-	-	SEE SHEET 1	-	-	-

9	8	1.720	1.640	1.500	15	16	4-102203-0
SUPERSEDED BY 8-102203-4		8	.420	.340	.200	2	3
9	8	1.020	.940	.800	8	9	3-102203-8
SUPERSEDED BY 5-102203-1		8	.520	.440	.300	3	4
6	10	OBSOLETE	7	.820	.740	.600	6
SUPERSEDED BY 103361-8		7	1.120	1.040	.900	9	4
	7	.420	.340	.200	2	3	3-102203-4

8	.820	.740	.600	6	7	8-102203-6	OBSOLETE
8	.420	.340	.200	2	3	8-102203-4	
8	2.620	2.540	2.400	24	25	7-102203-2	OBSOLETE
8	2.520	2.440	2.300	23	24	7-102203-1	OBSOLETE
8	2.420	2.340	2.200	22	23	7-102203-0	OBSOLETE
8	2.320	2.240	2.100	21	22	6-102203-9	
8	2.220	2.140	2.000	20	21	6-102203-8	OBSOLETE
8	2.120	2.040	1.900	19	20	6-102203-7	
8	2.020	1.940	1.800	18	19	6-102203-6	OBSOLETE
8	1.920	1.840	1.700	17	18	6-102203-5	
8	1.820	1.740	1.600	16	17	6-102203-4	OBSOLETE
8	1.720	1.640	1.500	15	16	6-102203-3	
8	1.620	1.540	1.400	14	15	6-102203-2	
8	1.520	1.440	1.300	13	14	6-102203-1	
8	1.420	1.340	1.200	12	13	6-102203-0	
8	1.320	1.240	1.100	11	12	5-102203-9	
8	1.220	1.140	1.000	10	11	5-102203-8	
8	1.120	1.040	.900	9	10	5-102203-7	
8	1.020	.940	.800	8	9	5-102203-6	OBSOLETE
8	.920	.840	.700	7	8	5-102203-5	
8	.820	.740	.600	6	7	5-102203-4	
8	.720	.640	.500	5	6	5-102203-3	
8	.620	.540	.400	4	5	5-102203-2	
8	.520	.440	.300	3	4	5-102203-1	
PLATING	D	C	B	A	NO OF POS	ASSEMBLY PART NUMBER	

7	3.720	3.640	3.500	35	36	3-102203-3	
7	3.620	3.540	3.400	34	35	3-102203-2	
7	3.520	3.440	3.300	33	34	3-102203-1	
7	3.420	3.340	3.200	32	33	3-102203-0	
7	3.320	3.240	3.100	31	32	2-102203-9	
7	3.220	3.140	3.000	30	31	2-102203-8	
7	3.120	3.040	2.900	29	30	2-102203-7	
7	3.020	2.940	2.800	28	29	2-102203-6	
7	2.920	2.840	2.700	27	28	2-102203-5	
7	2.820	2.740	2.600	26	27	2-102203-4	
7	2.720	2.640	2.500	25	26	2-102203-3	
10	2.620	2.540	2.400	24	25	2-102203-2	
7	2.520	2.440	2.300	23	24	2-102203-1	
10	2.420	2.340	2.200	22	23	2-102203-0	
7	2.320	2.240	2.100	21	22	1-102203-9	
10	2.220	2.140	2.000	20	21	1-102203-8	
7	2.120	2.040	1.900	19	20	1-102203-7	
10	2.020	1.940	1.800	18	19	1-102203-6	
7	1.920	1.840	1.700	17	18	1-102203-5	
10	1.820	1.740	1.600	16	17	1-102203-4	
7	1.720	1.640	1.500	15	16	1-102203-3	
7	1.620	1.540	1.400	14	15	1-102203-2	
7	1.520	1.440	1.300	13	14	1-102203-1	
7	1.420	1.340	1.200	12	13	1-102203-0	
7	1.320	1.240	1.100	11	12	102203-9	
7	1.220	1.140	1.000	10	11	102203-8	
7	1.120	1.040	.900	9	10	102203-7	
7	1.020	.940	.800	8	9	102203-6	
7	.920	.840	.700	7	8	102203-5	
7	.820	.740	.600	6	7	102203-4	
7	.720	.640	.500	5	6	102203-3	
7	.620	.540	.400	4	5	102203-2	
7	.520	.440	.300	3	4	102203-1	
FINISH	D	C	B	A	NO OF POS	ASSEMBLY PART NUMBER	

THIS DRAWING IS A CONTROLLED DOCUMENT.

DWN	D.RINGLY	11JUN85
CHK	D.DUPLER	11JUN85
APVD	-	-
PRODUCT SPEC	-	
APPLICATION SPEC	-	
WEIGHT	-	-
CUSTOMER DRAWING	-	

**STE** TE Connectivity

ASSEMBLY, MOD II, HEADER, SINGLE ROW  
 .100 C/L, RIGHT ANGLE, WITH .025 SQ POST

SIZE: A2 CAGE CODE: 00779 DRAWING NO: 102203 RESTRICTED TO: -

SCALE: 1:1 SHEET: 2 OF 2 REV: W