



Chipsmall Limited consists of a professional team with an average of over 10 year of expertise in the distribution of electronic components. Based in Hongkong, we have already established firm and mutual-benefit business relationships with customers from,Europe,America and south Asia,supplying obsolete and hard-to-find components to meet their specific needs.

With the principle of “Quality Parts,Customers Priority,Honest Operation,and Considerate Service”,our business mainly focus on the distribution of electronic components. Line cards we deal with include Microchip,ALPS,ROHM,Xilinx,Pulse,ON,Everlight and Freescale. Main products comprise IC,Modules,Potentiometer,IC Socket,Relay,Connector.Our parts cover such applications as commercial,industrial, and automotives areas.

We are looking forward to setting up business relationship with you and hope to provide you with the best service and solution. Let us make a better world for our industry!



Contact us

Tel: +86-755-8981 8866 Fax: +86-755-8427 6832

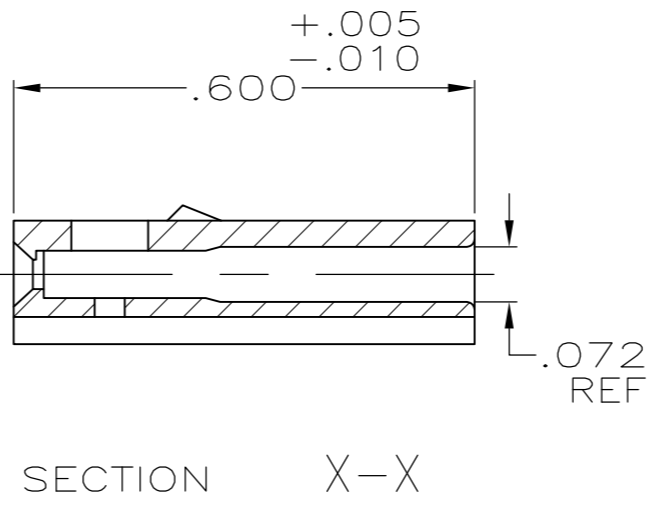
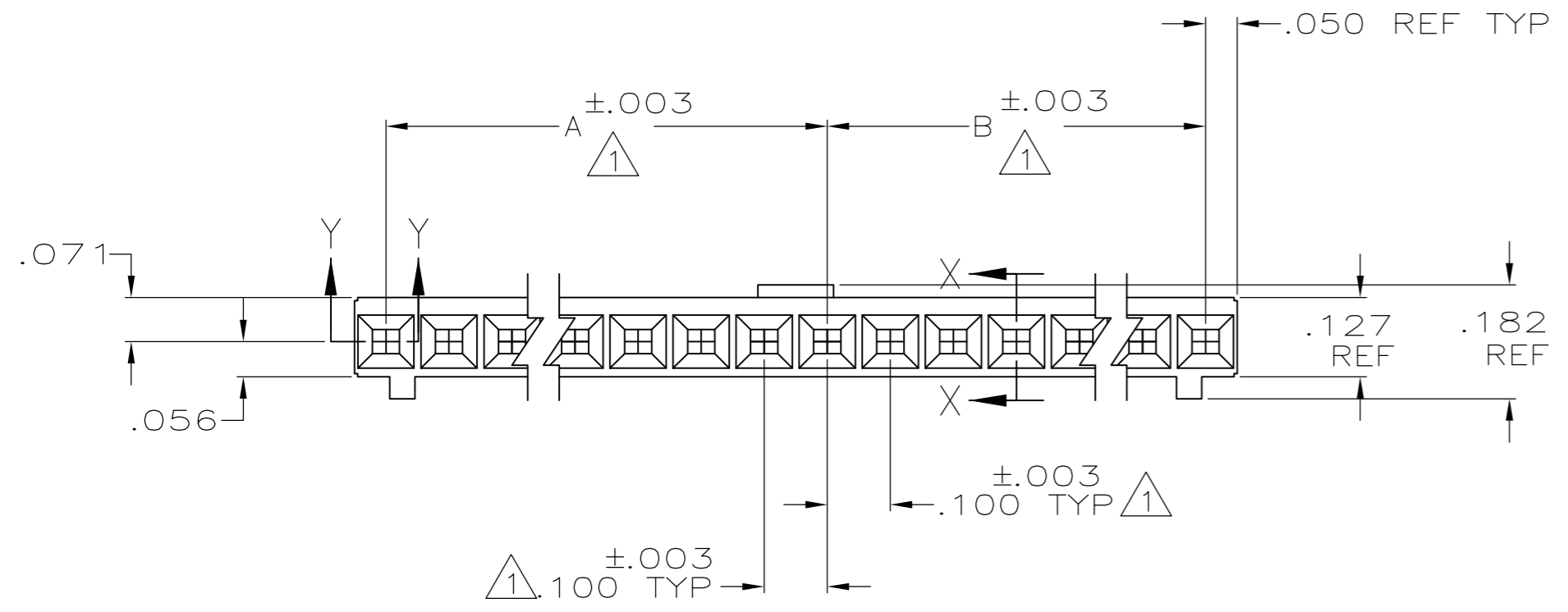
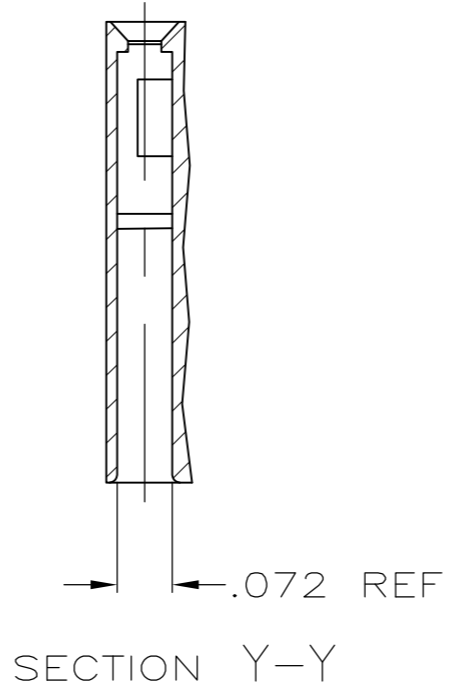
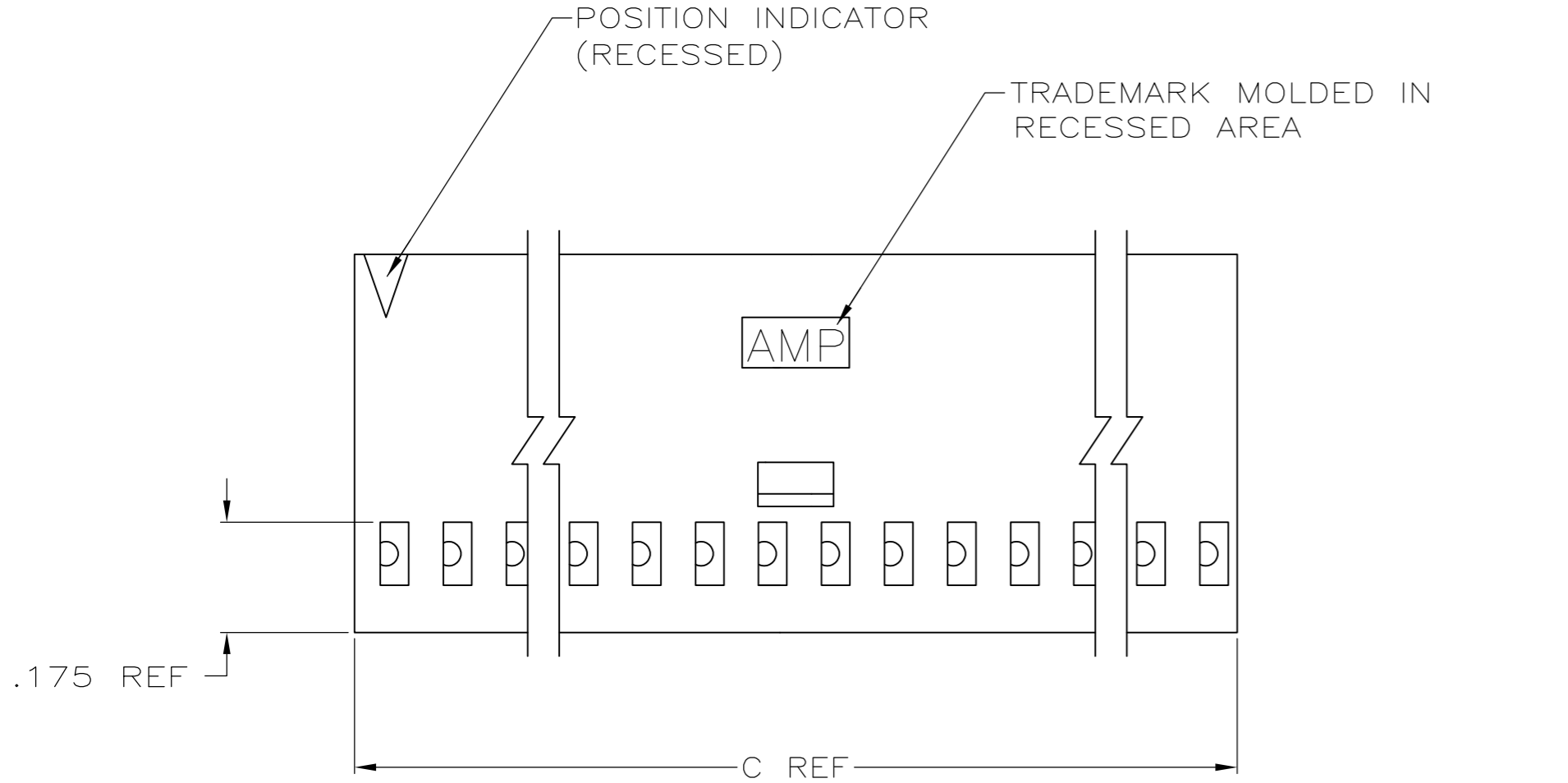
Email & Skype: info@chipsmall.com Web: www.chipsmall.com

Address: A1208, Overseas Decoration Building, #122 Zhenhua RD., Futian, Shenzhen, China



THIS DRAWING IS UNPUBLISHED. RELEASED FOR PUBLICATION
 © COPYRIGHT - By - ALL RIGHTS RESERVED.

LOC	DIST	REVISIONS					
AD	39	P	LTR	DESCRIPTION	DATE	DWN	APVD
		N3		REVISED PER ECO-11-004587	11MAR11	RK	HMR



3	C	B	A	NO OF POS	PART NUMBER
3.600	1.700	1.800	36	3-102241-4	
3.500	1.700	1.700	35	3-102241-3	
3.400	1.600	1.700	34	3-102241-2	
3.300	1.600	1.600	33	3-102241-1	
3.200	1.500	1.600	32	3-102241-0	
3.100	1.500	1.500	31	2-102241-9	
3.000	1.400	1.500	30	2-102241-8	
2.900	1.400	1.400	29	2-102241-7	
2.800	1.300	1.400	28	2-102241-6	
2.700	1.300	1.300	27	2-102241-5	
2.600	1.200	1.300	26	2-102241-4	
2.500	1.200	1.200	25	2-102241-3	
2.400	1.100	1.200	24	2-102241-2	
2.300	1.100	1.100	23	2-102241-1	
2.200	1.000	1.100	22	2-102241-0	
2.100	1.000	1.000	21	1-102241-9	
2.000	.900	1.000	20	1-102241-8	
1.900	.900	.900	19	1-102241-7	
1.800	.800	.900	18	1-102241-6	
1.700	.800	.800	17	1-102241-5	
1.600	.700	.800	16	1-102241-4	
1.500	.700	.700	15	1-102241-3	
1.400	.600	.700	14	1-102241-2	
1.300	.600	.600	13	1-102241-1	
1.200	.500	.600	12	1-102241-0	
1.100	.500	.500	11	102241-9	
1.000	.400	.500	10	102241-8	
.900	.400	.400	9	102241-7	
.800	.300	.400	8	102241-6	
.700	.300	.300	7	102241-5	
.600	.200	.300	6	102241-4	
.500	.200	.200	5	102241-3	
.400	.100	.200	4	102241-2	
.300	.100	.100	3	102241-1	

- 1 CAVITY LOCATION DIMENSIONS INCREASE IN INCREMENTS OF .100 TOLERANCE NON-CUMULATIVE
- 2 USE EXTRACTION TOOL 91052-1 TO REMOVE RECEPTACLE CONTACTS
- 3 OBSOLETE PARTS: OBSOLETE CIS STREAMLINING PER D.RENAUD/D.SINISI

THIS DRAWING IS A CONTROLLED DOCUMENT.

DWN D FABIAN 8-2-78
 CHK B WOLFE 10-27-78

DIMENSIONS: INCHES
 TOLERANCES UNLESS OTHERWISE SPECIFIED:
 0 PLC ± -
 1 PLC ± -
 2 PLC ± -
 3 PLC ± .005
 4 PLC ± -
 ANGLES ± -
 FINISH -

MATERIAL: GLASS FILLED NYLON, FLAME RETARDANT, COLOR: BLACK PER ASTM D4066

TE Connectivity
 CONN HOUSING, CRIMP SNAP-IN, MOD IV, SINGLE ROW, .100 CENTERS, WITH POLARIZATION AND DETENTS

SIZE: A2 CAGE CODE: 00779 DRAWING NO: C=102241
 CUSTOMER DRAWING SCALE: SHEET 1 OF 1 REV N3