



Chipsmall Limited consists of a professional team with an average of over 10 year of expertise in the distribution of electronic components. Based in Hongkong, we have already established firm and mutual-benefit business relationships with customers from,Europe,America and south Asia,supplying obsolete and hard-to-find components to meet their specific needs.

With the principle of "Quality Parts,Customers Priority,Honest Operation,and Considerate Service",our business mainly focus on the distribution of electronic components. Line cards we deal with include Microchip,ALPS,ROHM,Xilinx,Pulse,ON,Everlight and Freescale. Main products comprise IC,Modules,Potentiometer,IC Socket,Relay,Connector.Our parts cover such applications as commercial,industrial, and automotives areas.

We are looking forward to setting up business relationship with you and hope to provide you with the best service and solution. Let us make a better world for our industry!



Contact us

Tel: +86-755-8981 8866 Fax: +86-755-8427 6832

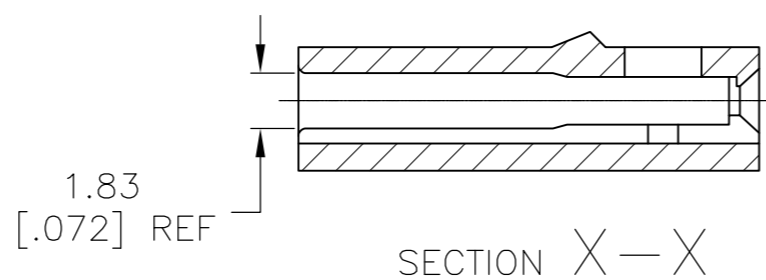
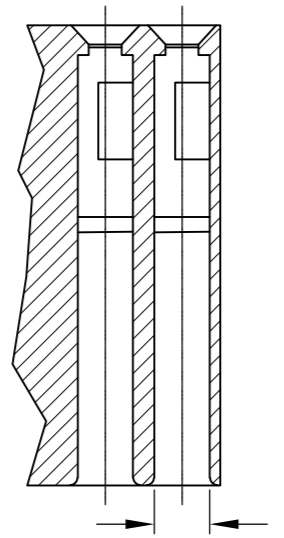
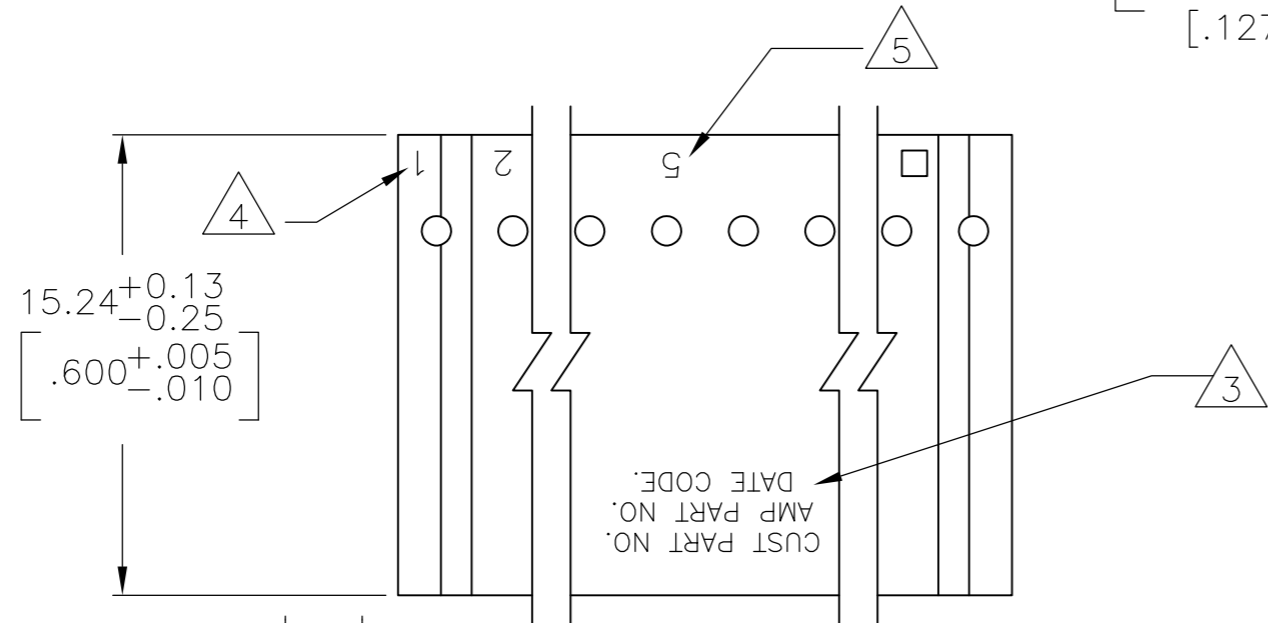
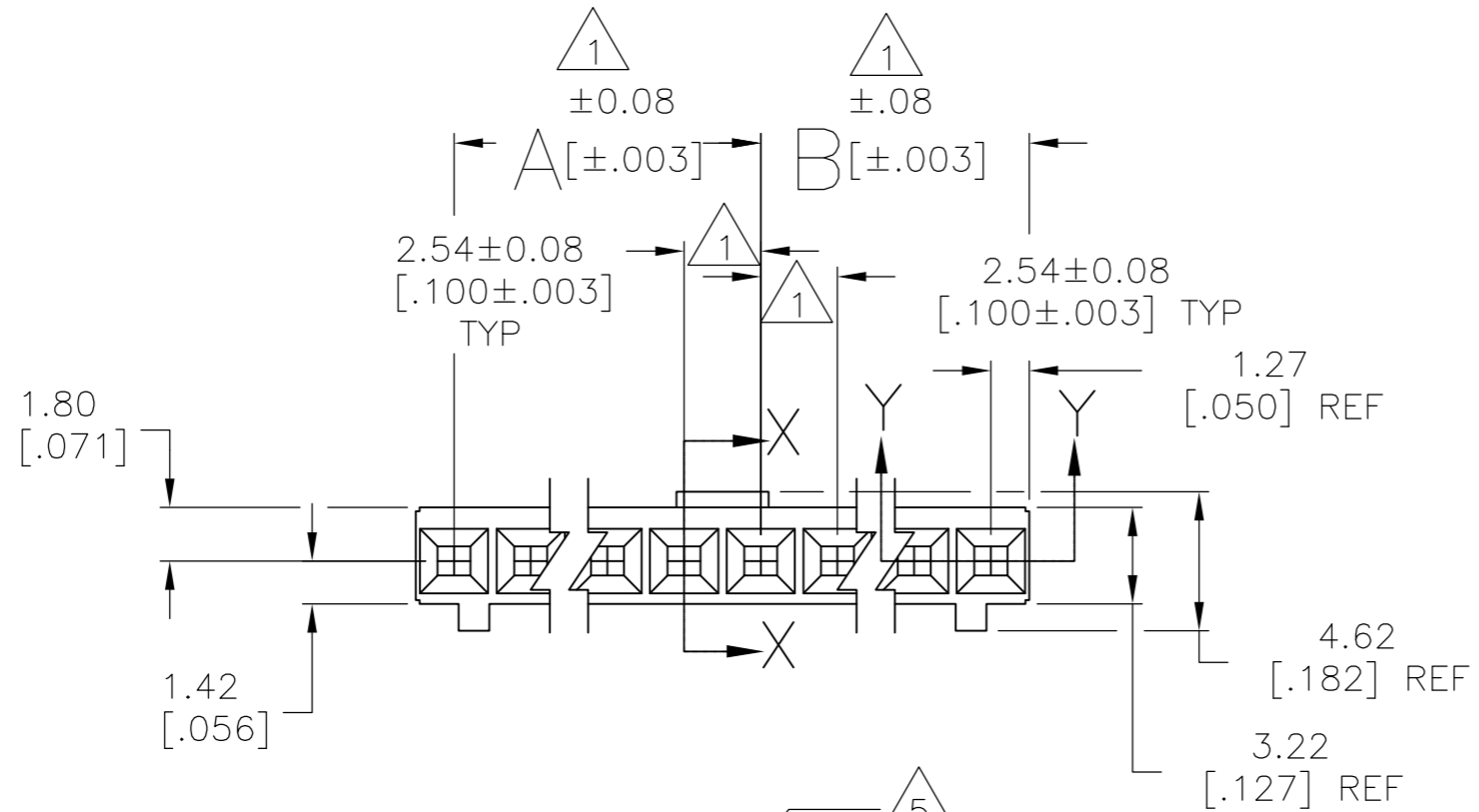
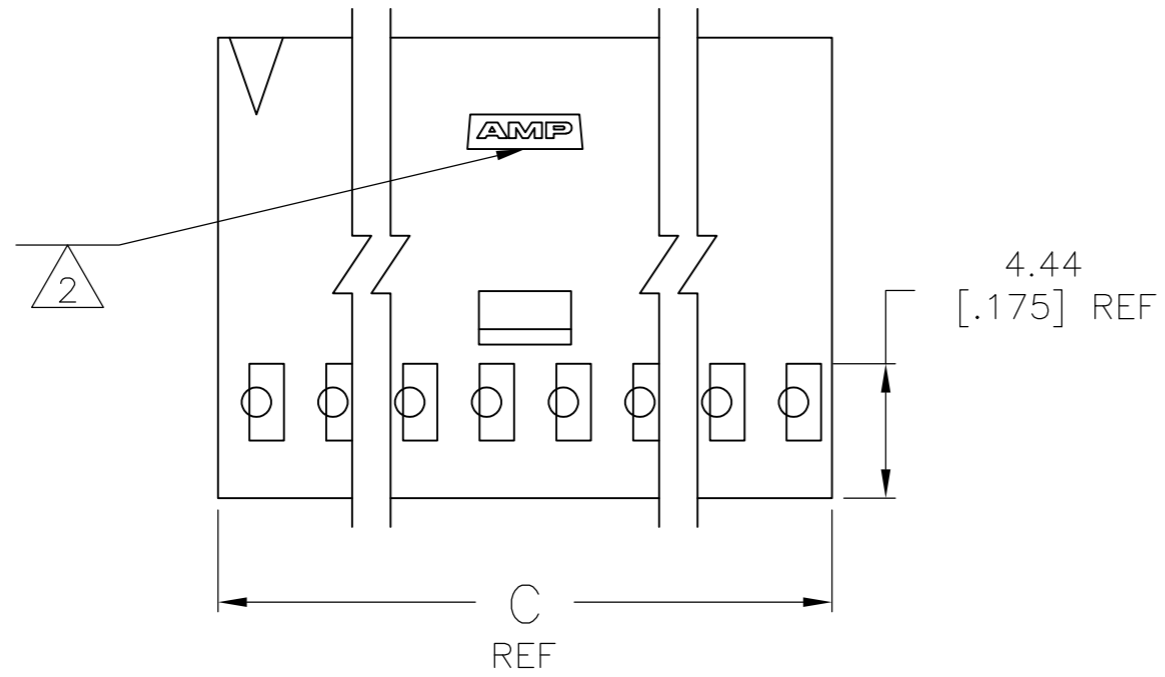
Email & Skype: info@chipsmall.com Web: www.chipsmall.com

Address: A1208, Overseas Decoration Building, #122 Zhenhua RD., Futian, Shenzhen, China



THIS DRAWING IS UNPUBLISHED. RELEASED FOR PUBLICATION
 © COPYRIGHT BY TYCO ELECTRONICS CORPORATION. ALL RIGHTS RESERVED.

LOC	DIST	REVISIONS			
P	LTR	DESCRIPTION	DATE	DWN	APVD
AD	00	C1	REV PERECO-10-000443	25NOV09	KK AEG



- 1 CAVITY LOCATION DIMENSIONS INCREASE IN INCREMENTS OF 2.54[.100] TOLERANCE NON-CUMULATIVE.
- 2 TRADEMARK MOLDED IN RECESSED AREA
- 3 CUSTOMER PART NO., AMP PART NO., AND DATE CODE MARKED (WHITE) 1.58±0.38[.062±.015] HIGH CHARACTERS IN AREA SHOWN, WHEN HOUSING SIZE PERMITS (7 POSN OR LARGER). IF SIZE DOES NOT PERMIT DATE CODE ONLY - MAY BE ROTATED 90° TO FIT.
- 4 CAVITY IDENT MARKED (WHITE) 1.17±0.38 [.046±.015] HIGH CHARACTERS FIRST CAVITY (ONE SIDE) (FOR PART NO. 102267-1 ONLY)
- 5 CAVITY IDENT MARKED (WHITE) 1.17±0.38 [.046±.015] HIGH CHARACTERS SECOND, EVERY FIFTH AND NEXT TO LAST CAVITY (ONE SIDE) (EXCEPT PART NO. 102267-1)
- 6 OBSOLETE PARTS: OBSOLETE CIS STREAMLINING PER D.RENAUD/D.SINISI

6	OBSOLETE	713W31031	25.40 [1.000]	10.16 [.400]	12.70 [.500]	10	102267-3	
		713W30531	12.70 [.500]	5.08 [.200]	5.08 [.200]	5	102267-2	
		713W30331	7.62 [.300]	2.54 [.100]	2.54 [.100]	3	102267-1	
		CUSTOMER PART NO.	C	B	A	NO OF POSN	PART NUMBER	
		OBSOLETE	713W30431	10.16 [.400]	2.54 [.100]	5.08 [.200]	4	102267-9
			-	-	-	-	-	
			-	-	-	-	-	
			-	-	-	-	-	
			-	-	-	-	-	

THIS DRAWING IS A CONTROLLED DOCUMENT.

DWN	E. BRANDBERG	28JUN94	Tyco Electronics Corporation Harrisburg, PA 17105-3608
CHK	P. SREMCICH	28JUN94	
APVD	P. SREMCICH	28JUN94	
PRODUCT SPEC			
MATERIAL	FLAME RETARDANT THERMOPLASTIC COLOR - BLACK	FINISH	
DIMENSIONS:	mm [INCHES]	TOLERANCES UNLESS OTHERWISE SPECIFIED:	
		0 PLC ± -	
		1 PLC ± -	
		2 PLC ± .02	
		3 PLC ± .005	
		4 PLC ± -	
		ANGLES ± 0° 30'	
WEIGHT	-		
CUSTOMER DRAWING		SCALE	4:1
SIZE	A2	CAGE CODE	00779
NAME	CONN. HOUSING, CRIMP SNAP - IN, MOD IV, SINGLE ROW, 2.54[.100] CL, W/ POLARIZATION, DETENT AND MARKING		RESTRICTED TO
DRAWING NO	C=102267		
SHEET	1	OF 1	REV C1