



Chipsmall Limited consists of a professional team with an average of over 10 year of expertise in the distribution of electronic components. Based in Hongkong, we have already established firm and mutual-benefit business relationships with customers from,Europe,America and south Asia,supplying obsolete and hard-to-find components to meet their specific needs.

With the principle of “Quality Parts,Customers Priority,Honest Operation,and Considerate Service”,our business mainly focus on the distribution of electronic components. Line cards we deal with include Microchip,ALPS,ROHM,Xilinx,Pulse,ON,Everlight and Freescale. Main products comprise IC,Modules,Potentiometer,IC Socket,Relay,Connector.Our parts cover such applications as commercial,industrial, and automotives areas.

We are looking forward to setting up business relationship with you and hope to provide you with the best service and solution. Let us make a better world for our industry!



## Contact us

Tel: +86-755-8981 8866 Fax: +86-755-8427 6832

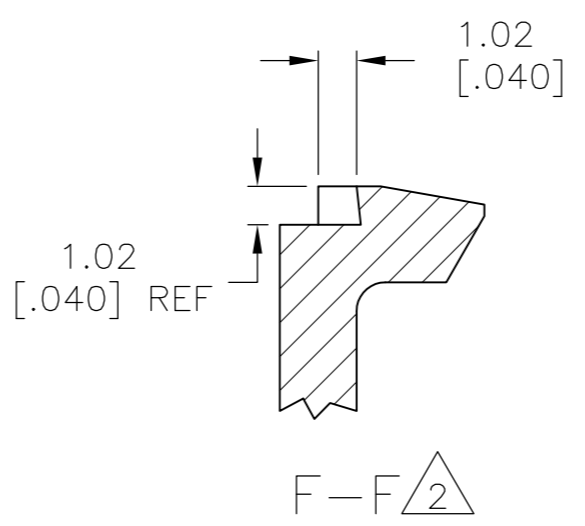
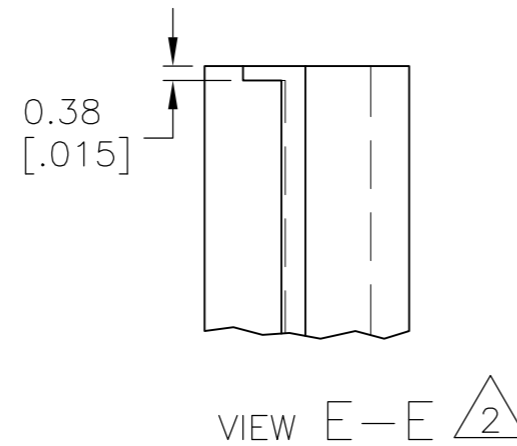
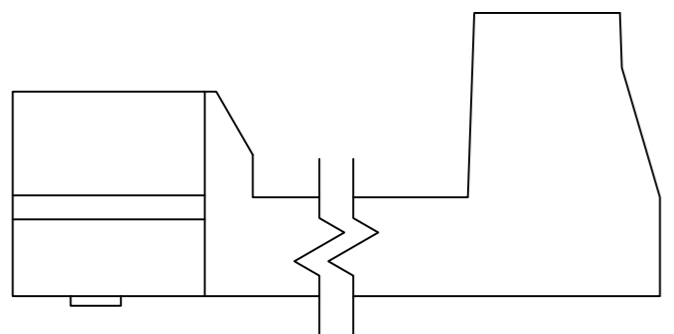
Email & Skype: info@chipsmall.com Web: www.chipsmall.com

Address: A1208, Overseas Decoration Building, #122 Zhenhua RD., Futian, Shenzhen, China

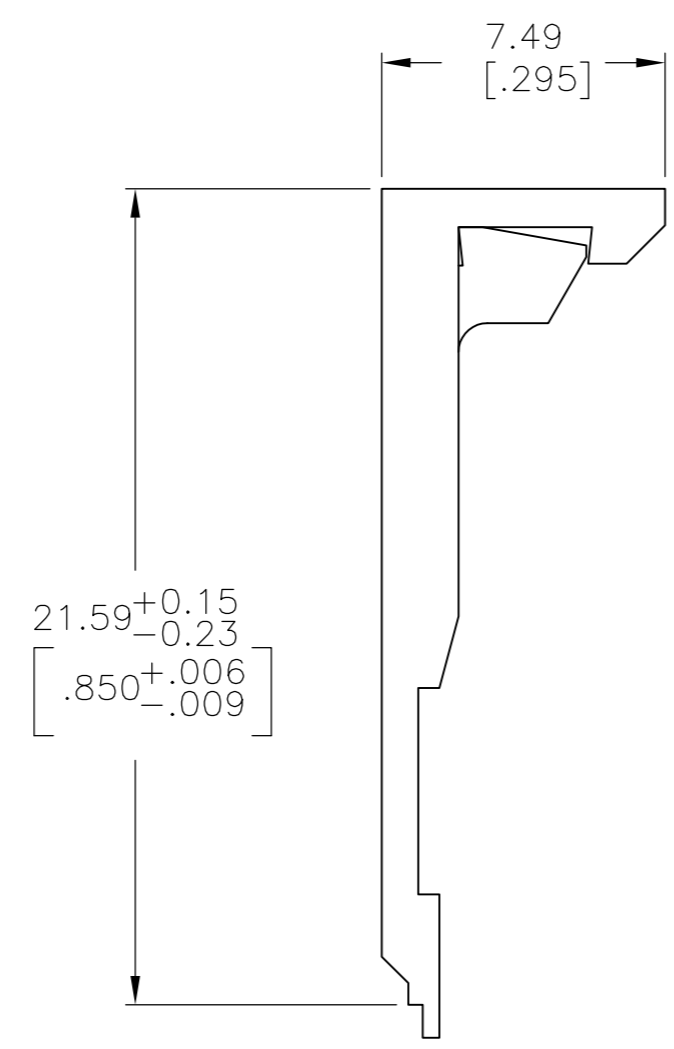
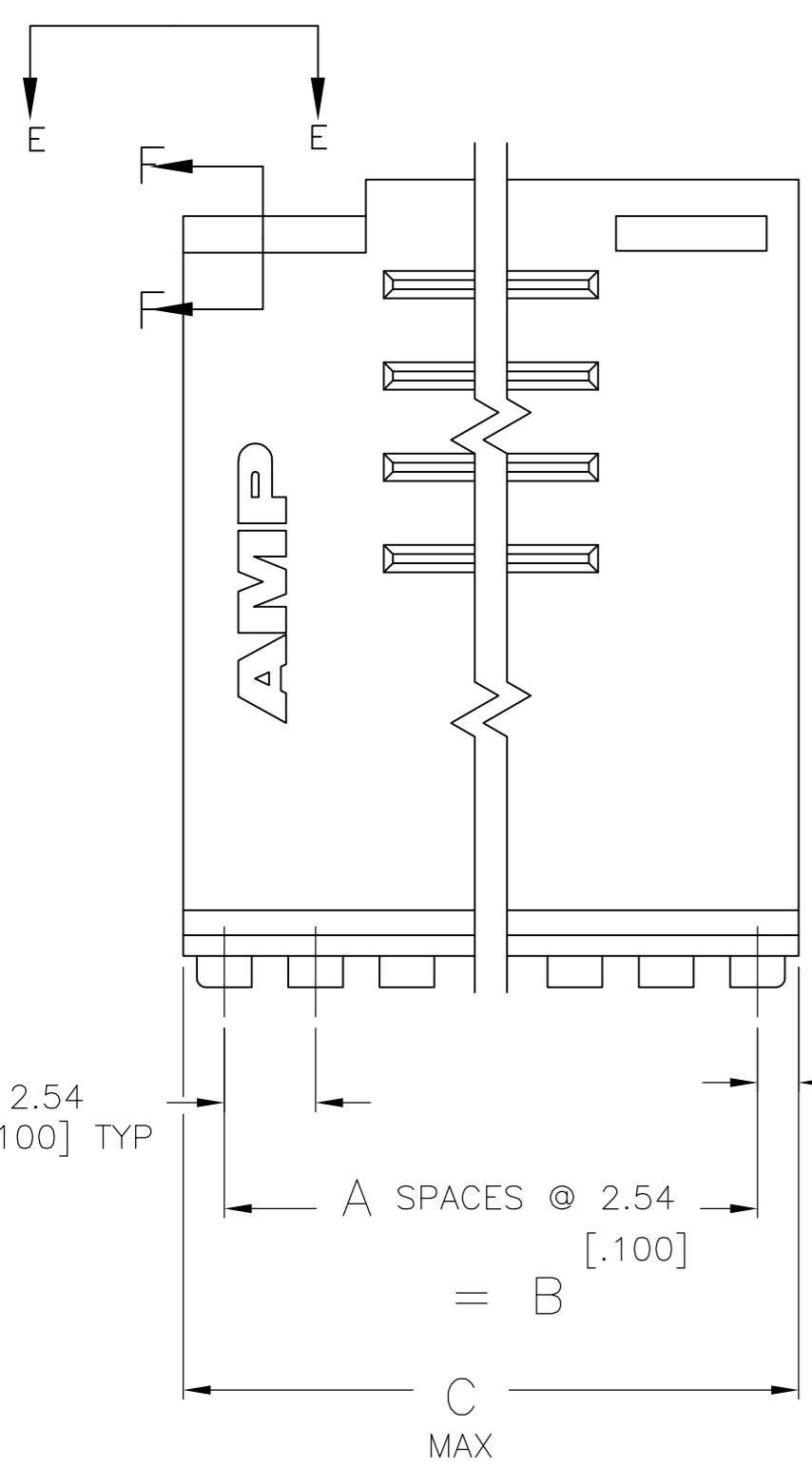


THIS DRAWING IS UNPUBLISHED. RELEASED FOR PUBLICATION  
 © COPYRIGHT - By - ALL RIGHTS RESERVED.

LOC		DIST		REVISIONS			
P	LTR	DESCRIPTION	DATE	DWN	APVD		
	K2	REVISED PER ECO-11-004917	11MAR11	RK	HMR		



- $\triangle 1$  THIS COVER IS TO BE USED IN PAIRS, WITH A DOUBLE ROW HOUSING. NUMBER OF POSITIONS INDICATED PERTAINS TO THE HOUSING.
- $\triangle 2$  THESE VIEWS APPLY TO -1 AND -2 ONLY.
- $\triangle 3$  OBSOLETE PARTS: OBSOLETE CIS STREAMLINING PER D.RENAUD/D.SINISI



OBSOLETE	91.44	[3.600]	88.90	[3.500]	35	72	3-102396-4
OBSOLETE	88.90	[3.500]	86.36	[3.400]	34	70	3-102396-3
OBSOLETE	86.36	[3.400]	83.82	[3.300]	33	68	3-102396-2
OBSOLETE	83.82	[3.300]	81.28	[3.200]	32	66	3-102396-1
$\triangle 3$ OBSOLETE	81.28	[3.200]	78.74	[3.100]	31	64	<del>3-102396-0</del>
$\triangle 3$ OBSOLETE	78.74	[3.100]	76.20	[3.000]	30	62	<del>2-102396-9</del>
$\triangle 3$ OBSOLETE	76.20	[3.000]	73.66	[2.900]	29	60	<del>2-102396-8</del>
OBSOLETE	73.66	[2.900]	71.12	[2.800]	28	58	2-102396-7
OBSOLETE	71.12	[2.800]	68.58	[2.700]	27	56	2-102396-6
OBSOLETE	68.58	[2.700]	66.04	[2.600]	26	54	2-102396-5
OBSOLETE	66.04	[2.600]	63.50	[2.500]	25	52	2-102396-4
OBSOLETE	63.50	[2.500]	60.96	[2.400]	24	50	2-102396-3
OBSOLETE	60.96	[2.400]	58.42	[2.300]	23	48	2-102396-2
OBSOLETE	58.42	[2.300]	55.88	[2.200]	22	46	2-102396-1
OBSOLETE	55.88	[2.200]	53.34	[2.100]	21	44	2-102396-0
OBSOLETE	53.34	[2.100]	50.80	[2.000]	20	42	1-102396-9
OBSOLETE	50.80	[2.000]	48.26	[1.900]	19	40	1-102396-8
OBSOLETE	48.26	[1.900]	45.72	[1.800]	18	38	1-102396-7
OBSOLETE	45.72	[1.800]	43.18	[1.700]	17	36	1-102396-6
OBSOLETE	43.18	[1.700]	40.64	[1.600]	16	34	1-102396-5
$\triangle 3$ OBSOLETE	40.64	[1.600]	38.10	[1.500]	15	32	<del>1-102396-4</del>
$\triangle 3$ OBSOLETE	38.10	[1.500]	35.56	[1.400]	14	30	<del>1-102396-3</del>
$\triangle 3$ OBSOLETE	35.56	[1.400]	33.02	[1.300]	13	28	<del>1-102396-2</del>
OBSOLETE	33.02	[1.300]	30.48	[1.200]	12	26	1-102396-1
OBSOLETE	30.48	[1.200]	27.94	[1.100]	11	24	1-102396-0
$\triangle 3$ OBSOLETE	27.94	[1.100]	25.40	[1.000]	10	22	<del>102396-9</del>
OBSOLETE	25.40	[1.000]	22.86	[.900]	9	20	102396-8
$\triangle 3$ OBSOLETE	22.86	[.900]	20.32	[.800]	8	18	<del>102396-7</del>
OBSOLETE	20.32	[.800]	17.78	[.700]	7	16	102396-6
OBSOLETE	17.78	[.700]	15.24	[.600]	6	14	102396-5
OBSOLETE	15.24	[.600]	12.70	[.500]	5	12	102396-4
OBSOLETE	12.70	[.500]	10.16	[.400]	4	10	102396-3
OBSOLETE	10.16	[.400]	7.62	[.300]	3	8	102396-2
OBSOLETE	7.62	[.300]	5.08	[.200]	2	6	102396-1
			C	B	A	REF $\triangle 1$ NO OF POSN	PART NUMBER

THIS DRAWING IS A CONTROLLED DOCUMENT.

DWN E. BRANDBERG 13SEP94		COVER	
CHK J. HERRINGTON 13SEP94		MASS TERMINATION AMPMODU	
APVD J. HERRINGTON 13SEP94		2.54[.100] CL	
PRODUCT SPEC		SIZE	CAGE CODE
APPLICATION SPEC	A2	00779	C=102396
MATERIAL FLAME RETARDANT THERMOPLASTIC, COLOR - BLACK	WEIGHT	-	RESTRICTED TO
FINISH	CUSTOMER DRAWING		SCALE 5:1 SHEET 1 OF 1 REV K2