



Chipsmall Limited consists of a professional team with an average of over 10 year of expertise in the distribution of electronic components. Based in Hongkong, we have already established firm and mutual-benefit business relationships with customers from,Europe,America and south Asia,supplying obsolete and hard-to-find components to meet their specific needs.

With the principle of "Quality Parts,Customers Priority,Honest Operation,and Considerate Service",our business mainly focus on the distribution of electronic components. Line cards we deal with include Microchip,ALPS,ROHM,Xilinx,Pulse,ON,Everlight and Freescale. Main products comprise IC,Modules,Potentiometer,IC Socket,Relay,Connector.Our parts cover such applications as commercial,industrial, and automotives areas.

We are looking forward to setting up business relationship with you and hope to provide you with the best service and solution. Let us make a better world for our industry!



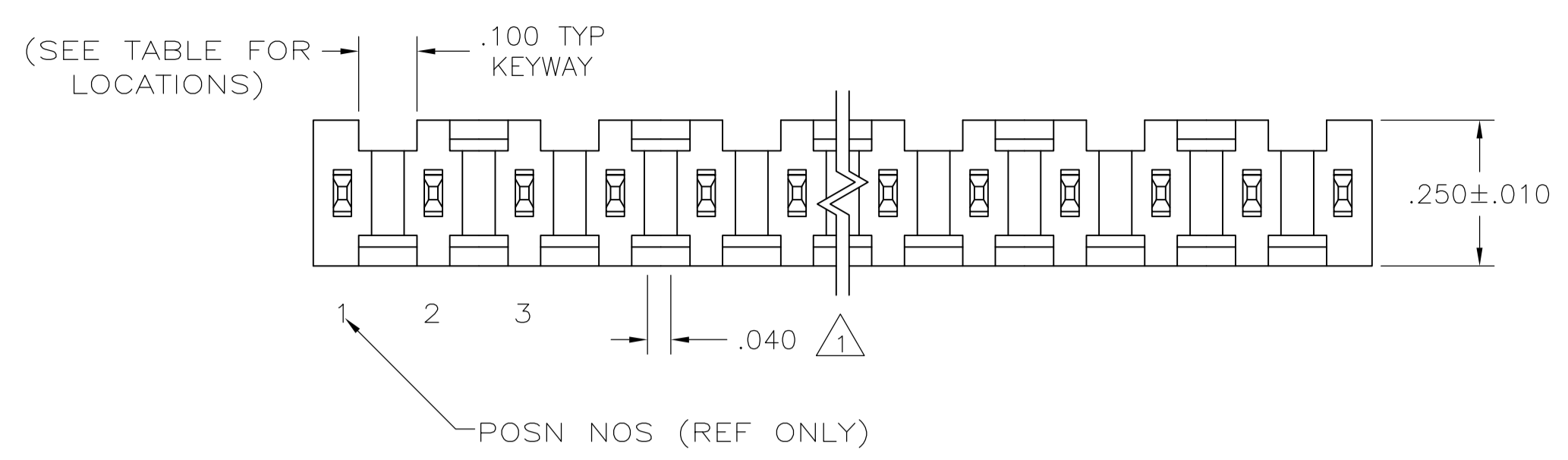
## Contact us

Tel: +86-755-8981 8866 Fax: +86-755-8427 6832

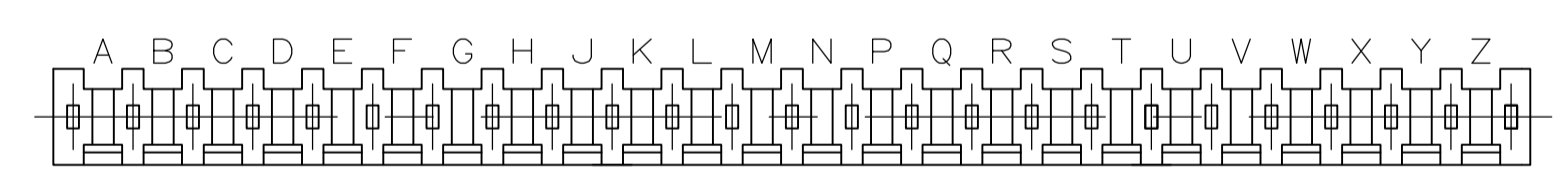
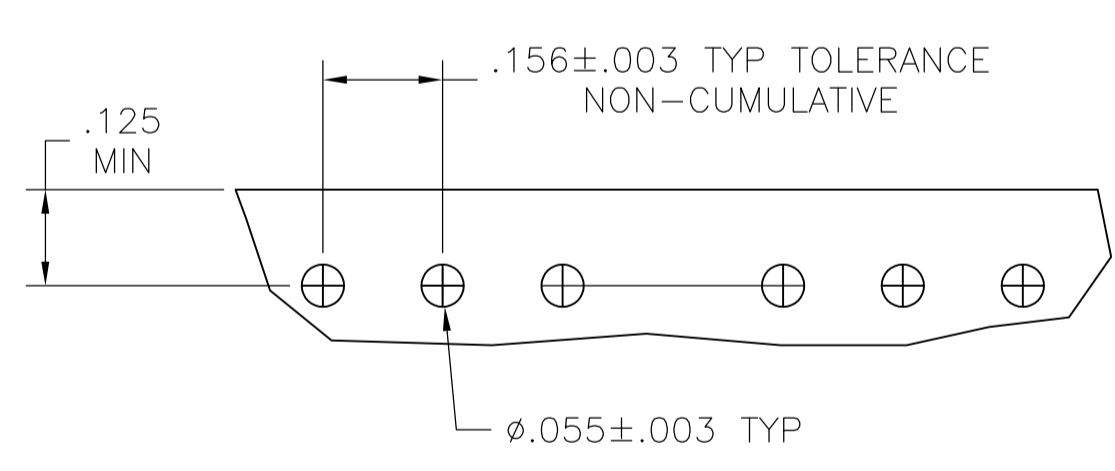
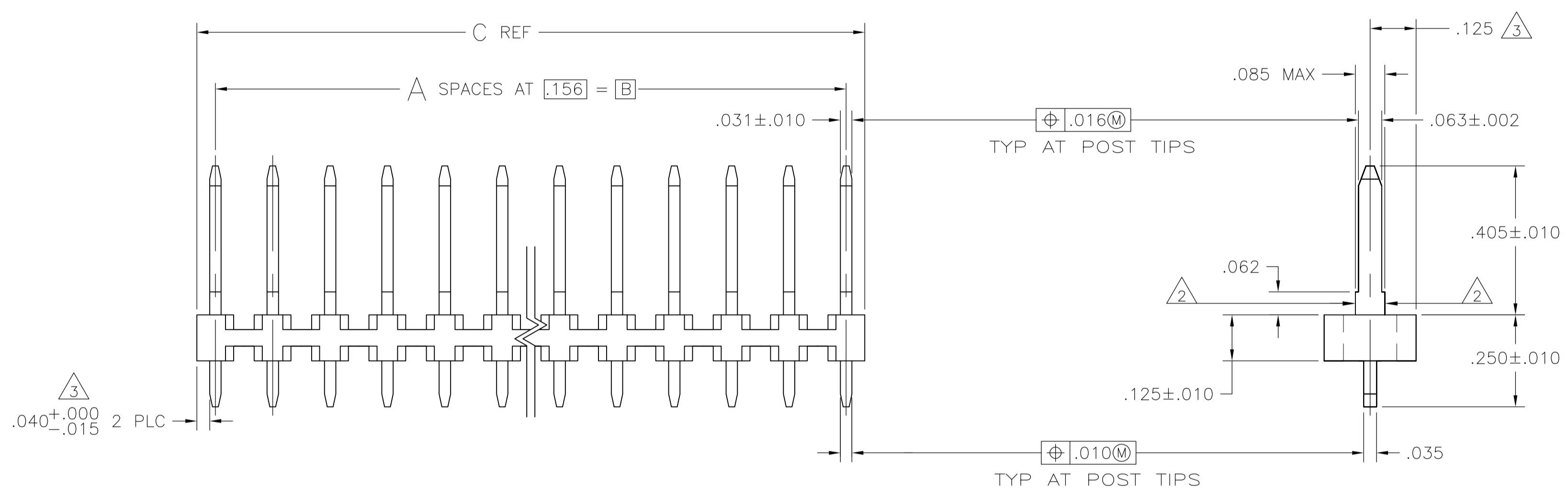
Email & Skype: info@chipsmall.com Web: www.chipsmall.com

Address: A1208, Overseas Decoration Building, #122 Zhenhua RD., Futian, Shenzhen, China





- △ SLOTS MAY BE LOCATED BETWEEN ANY OF THE CIRCUIT CAVITIES ON THIS SIDE OF THE HOUSING, (LOC D7).
- △ THESE SURFACES WILL NOT BE PLATED, (2 PLC).
- △ THE NOTED DIMENSIONS APPLY AT THE INTERSECTION OF THE POST AND THE HOUSING, (LOC B8).
- △ .000100-.000200 BRIGHT TIN-LEAD OVER .000030 NICKEL.
- △ .000100-.000200 MATTE TIN OVER .000030 NICKEL.
- △ ROHS 2002/95/EC COMPLIANT.



KEYWAY LOCATIONS (REF-SEE TABLE)  
 (MATING LENGTH OF POST ON NEAR SIDE)  
 SCALE: 2:1

OBSOLETE	△5	1,3,5	A,D	2	.735	.624	4	2	5	△5-102410-7
OBSOLETE	△5	2,3,4	A,D	2	.735	.624	4	2	5	△5-102410-6
OBSOLETE	△5	4,8,10	A,D,G,K	4	1.671	1.560	10	8	11	△5-102410-5
OBSOLETE	△5	3	A,C,E	3	1.047	.936	6	6	7	△5-102410-4
OBSOLETE	△5	2	A,D	2	.735	.624	4	4	5	△5-102410-3
OBSOLETE	△5	2	A	1	.423	.312	2	2	3	△5-102410-2
OBSOLETE	△5	1	A	1	.423	.312	2	2	3	△5-102410-1
OBSOLETE	△4	1,3,5	A,D	2	.735	.624	4	2	5	102410-7
OBSOLETE	△4	2,3,4	A,D	2	.735	.624	4	2	5	102410-6
OBSOLETE	△4	4,8,10	A,D,G,K	4	1.671	1.560	10	8	11	102410-5
OBSOLETE	△4	3	A,C,E	3	1.047	.936	6	6	7	102410-4
OBSOLETE	△4	2	A,D	2	.735	.624	4	4	5	102410-3
OBSOLETE	△4	2	A	1	.423	.312	2	2	3	102410-2
OBSOLETE	△4	1	A	1	.423	.312	2	2	3	102410-1

FINISH	POSTS OMITTED	KEYWAY LOCATIONS	NO OF KEYWAYS	C	B	A	NO OF ACTIVE POSN	NO OF POSN.	ASSEMBLY PART NUMBER
--------	---------------	------------------	---------------	---	---	---	-------------------	-------------	----------------------

THIS DRAWING IS A CONTROLLED DOCUMENT.

DIMENSIONS: INCHES

TOLERANCES UNLESS OTHERWISE SPECIFIED:

0 PLC	± .005
1 PLC	± .002
2 PLC	± .001
3 PLC	± .0005
4 PLC	± .0002
ANGLES	± .001

MATERIAL: HOUSING - FLAME RETARDANT THERMOPLASTIC, COLOR = BLACK, POSTS - BRASS

FINISH: SEE TABLE

APPROVED: L.A. MAYER, E.B. HUBBEN

NAME: E.B. HUBBEN

PRODUCT SPEC: 108-25016

APPLICATION SPEC: A1

SIZE: A1

WEIGHT: -

CUSTOMER DRAWING

SCALE: 4:1

SHEET: 1 of 1

REV: H3