



Chipsmall Limited consists of a professional team with an average of over 10 year of expertise in the distribution of electronic components. Based in Hongkong, we have already established firm and mutual-benefit business relationships with customers from,Europe,America and south Asia,supplying obsolete and hard-to-find components to meet their specific needs.

With the principle of “Quality Parts,Customers Priority,Honest Operation,and Considerate Service”,our business mainly focus on the distribution of electronic components. Line cards we deal with include Microchip,ALPS,ROHM,Xilinx,Pulse,ON,Everlight and Freescale. Main products comprise IC,Modules,Potentiometer,IC Socket,Relay,Connector.Our parts cover such applications as commercial,industrial, and automotives areas.

We are looking forward to setting up business relationship with you and hope to provide you with the best service and solution. Let us make a better world for our industry!



Contact us

Tel: +86-755-8981 8866 Fax: +86-755-8427 6832

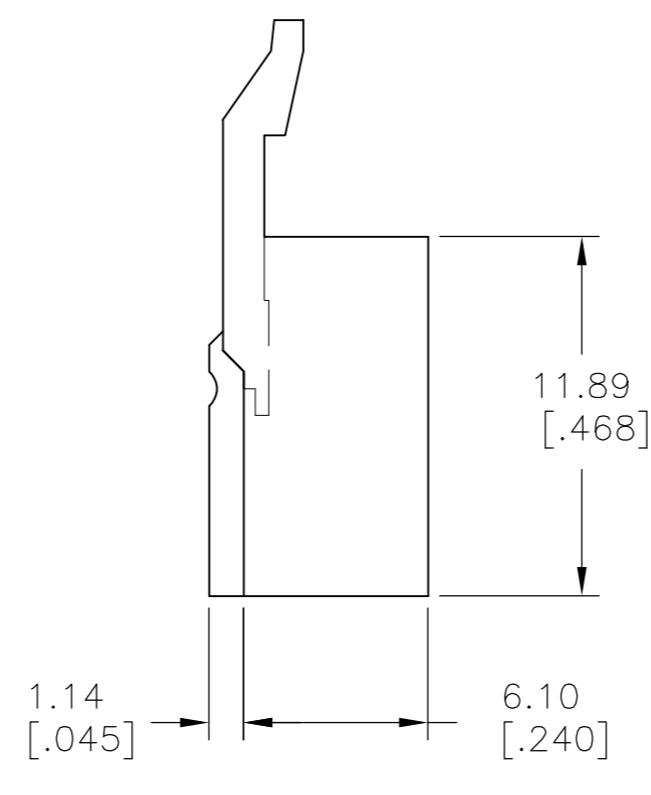
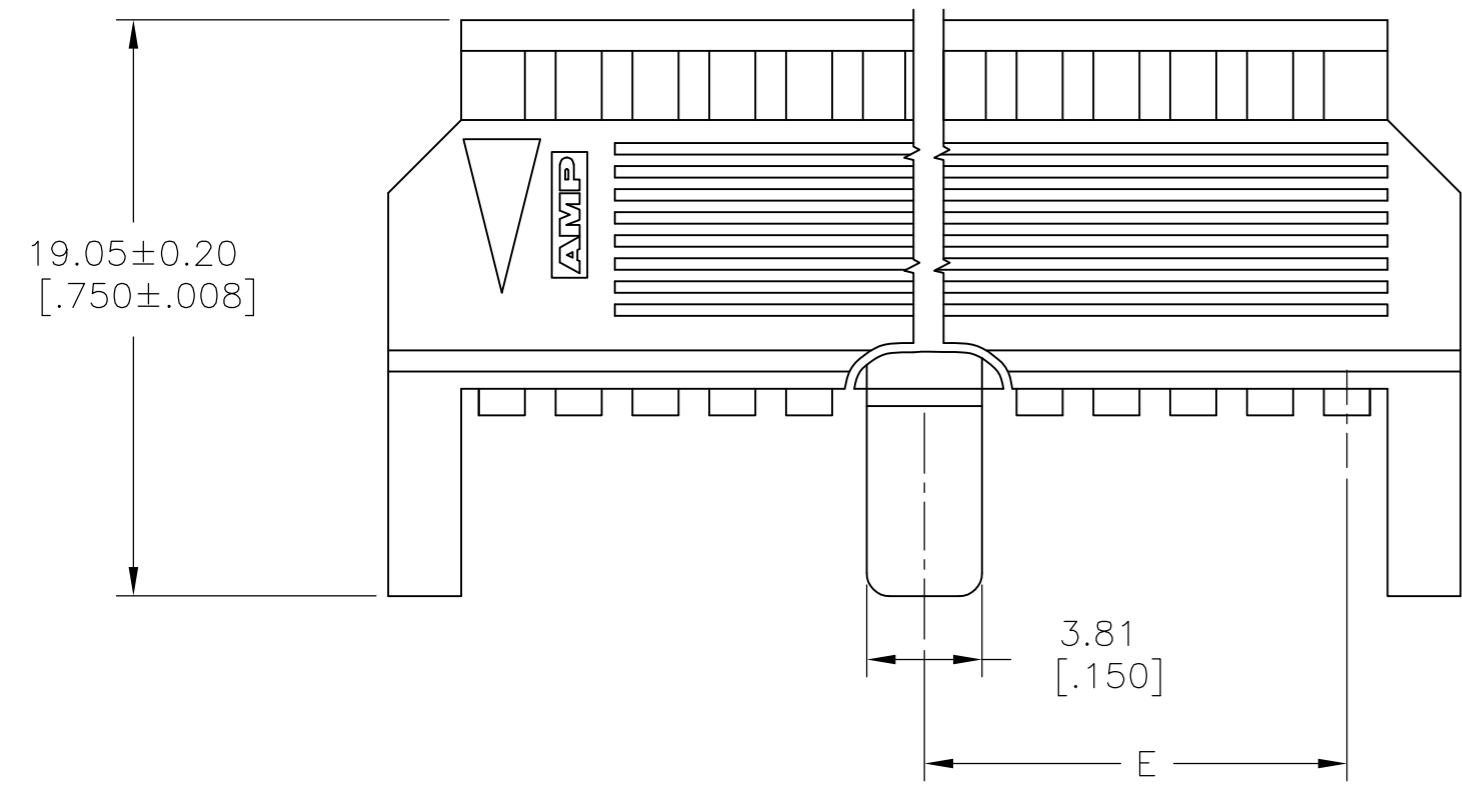
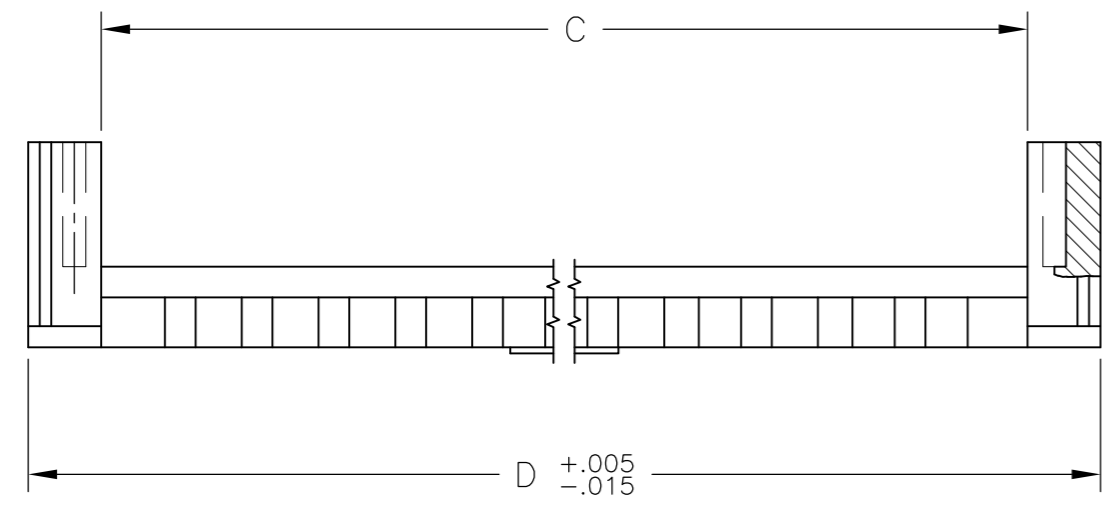
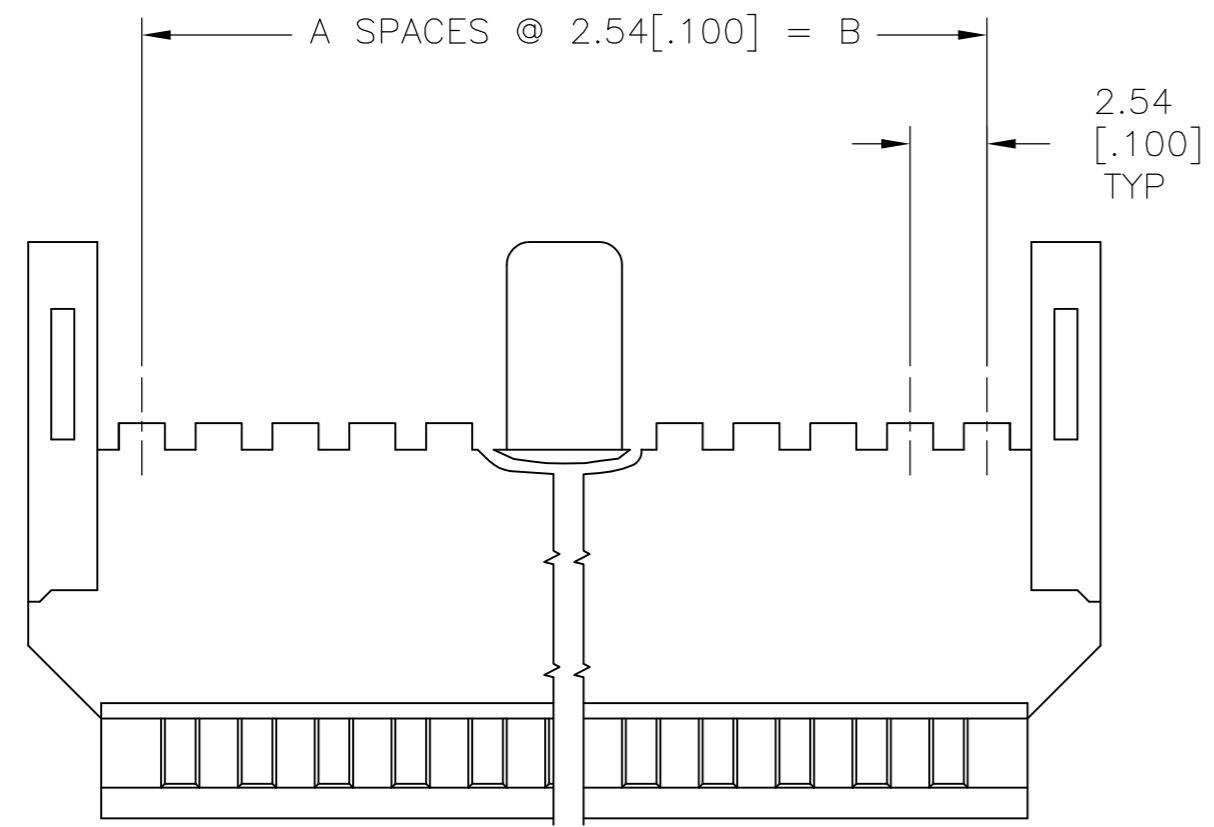
Email & Skype: info@chipsmall.com Web: www.chipsmall.com

Address: A1208, Overseas Decoration Building, #122 Zhenhua RD., Futian, Shenzhen, China



THIS DRAWING IS UNPUBLISHED. RELEASED FOR PUBLICATION
 © COPYRIGHT - By - ALL RIGHTS RESERVED.

LOC		DIST		REVISIONS			
P	LTR	DESCRIPTION		DATE	DWN	APVD	
AD	39	H2	REVISED PER ECO-11-004820	11MAR11	RK	HMR	



- 1 NO. OF POSITIONS INDICATED PERTAINS TO THE HOUSING.
- 2 THIS COVER IS TO BE USED WITH 102536.
- 3 NO CENTER PART ON THIS PART.
- 4 OBSOLETE PART NUMBER.
- 5 MATERIAL: FLAME RETARDANT THERMOPLASTIC, COLOR-BLACK.
- 6 OBSOLETE PARTS: OBSOLETE CIS STREAMLINING PER D.RENAUD/D.SINISI

44.45[1.750]	96.42[3.796]	91.59[3.606]	88.90[3.500]	35	72	4	3-102537-4
43.18[1.700]	93.88[3.696]	89.05[3.506]	86.36[3.400]	34	70	4	3-102537-3
41.91[1.650]	91.34[3.596]	86.51[3.406]	83.82[3.300]	33	68	4	3-102537-2
40.64[1.600]	88.79[3.496]	83.97[3.306]	81.28[3.200]	32	66	4	3-102537-1
39.37[1.550]	86.26[3.396]	81.43[3.206]	78.74[3.100]	31	64		3-102537-0
38.10[1.500]	83.72[3.296]	78.89[3.106]	76.20[3.000]	30	62	4	2-102537-9
36.83[1.450]	81.18[3.196]	76.35[3.006]	73.66[2.900]	29	60		2-102537-8
35.56[1.400]	78.63[3.096]	78.81[2.906]	71.12[2.800]	28	58	4	2-102537-7
34.29[1.350]	76.09[2.996]	71.27[2.806]	68.58[2.700]	27	56	4	2-102537-6
33.02[1.300]	73.55[2.896]	68.73[2.706]	66.04[2.600]	26	54	4	2-102537-5
31.75[1.250]	71.01[2.796]	66.19[2.606]	63.50[2.500]	25	52	4	2-102537-4
30.48[1.200]	68.48[2.696]	63.65[2.506]	60.96[2.400]	24	50		2-102537-3
29.91[1.150]	65.94[2.596]	61.11[2.406]	58.42[2.300]	23	48	4	2-102537-2
27.94[1.100]	63.39[2.496]	58.57[2.306]	55.88[2.200]	22	46	4	2-102537-1
26.67[1.050]	60.85[2.396]	56.03[2.206]	53.34[2.100]	21	44	4	2-102537-0
25.40[1.000]	58.31[2.296]	53.49[2.106]	50.80[2.000]	20	42	4	1-102537-9
24.13[.950]	55.78[2.196]	50.95[2.006]	48.26[1.900]	19	40		1-102537-8
22.86[.900]	53.24[2.096]	48.41[1.906]	45.72[1.800]	18	38	4	1-102537-7
21.59[.850]	50.69[1.996]	45.87[1.806]	43.18[1.700]	17	36	4	1-102537-6
20.32[.800]	48.15[1.896]	43.33[1.706]	40.64[1.600]	16	34		1-102537-5
19.05[.750]	45.62[1.796]	40.79[1.606]	38.10[1.500]	15	32	6	1-102537-4
17.78[.700]	43.07[1.696]	38.25[1.506]	35.56[1.400]	14	30		1-102537-3
16.51[.650]	40.53[1.596]	35.71[1.406]	33.02[1.300]	13	28	6	1-102537-2
15.24[.600]	37.99[1.496]	33.17[1.306]	30.48[1.200]	12	26		1-102537-1
13.97[.550]	35.45[1.396]	30.63[1.206]	27.94[1.100]	11	24		1-102537-0
12.70[.500]	32.92[1.296]	28.09[1.106]	25.40[1.000]	10	22	6	102537-9
11.43[.450]	30.38[1.196]	25.55[1.006]	22.86[.900]	9	20		102537-8
10.16[.400]	27.84[1.096]	23.01[.906]	20.32[.800]	8	18	6	102537-7
8.89[.350]	25.29[.996]	20.47[.806]	17.78[.700]	7	16		102537-6
7.62[.300]	22.76[.896]	17.93[.706]	15.24[.600]	6	14		102537-5
6.35[.250]	20.22[.796]	15.39[.606]	12.70[.500]	5	12		102537-4
5.08[.200]	17.68[.696]	12.85[.506]	10.16[.400]	4	10		102537-3
3	15.14[.596]	10.31[.406]	7.62[.300]	3	8		102537-2
3	12.59[.496]	7.77[.306]	5.08[.200]	2	6	6	102537-1

E	D	C	B	A	REF. 1	PART NUMBER
					NO OF POSN	

COVER DIMENSIONS

THIS DRAWING IS A CONTROLLED DOCUMENT.		DWN RAGHAVENDRA 06MAR09	TE Connectivity	
DIMENSIONS: mm [INCHES]		CHK JEFFREY GESFORD 06MAR09		
TOLERANCES UNLESS OTHERWISE SPECIFIED:		APVD JEFFREY GESFORD 06MAR09	NAME	
0 PLC ± -	1 PLC ± -	PRODUCT SPEC	COVER - HALF, LOW PROFILE	
2 PLC ± -	3 PLC ± 0.13[.005]	APPLICATION SPEC	MASS TERMINATION AMPMODU,	
4 PLC ± -	ANGLES ± -	WEIGHT -	SIZE A2	CAGE CODE 00779
MATERIAL 5	FINISH -	CUSTOMER DRAWING	DRAWING NO C=102537	RESTRICTED TO -
			SCALE 4:1	SHEET 1 OF 1
			REV H2	