



Chipsmall Limited consists of a professional team with an average of over 10 year of expertise in the distribution of electronic components. Based in Hongkong, we have already established firm and mutual-benefit business relationships with customers from,Europe,America and south Asia,supplying obsolete and hard-to-find components to meet their specific needs.

With the principle of “Quality Parts,Customers Priority,Honest Operation,and Considerate Service”,our business mainly focus on the distribution of electronic components. Line cards we deal with include Microchip,ALPS,ROHM,Xilinx,Pulse,ON,Everlight and Freescale. Main products comprise IC,Modules,Potentiometer,IC Socket,Relay,Connector.Our parts cover such applications as commercial,industrial, and automotives areas.

We are looking forward to setting up business relationship with you and hope to provide you with the best service and solution. Let us make a better world for our industry!



Contact us

Tel: +86-755-8981 8866 Fax: +86-755-8427 6832

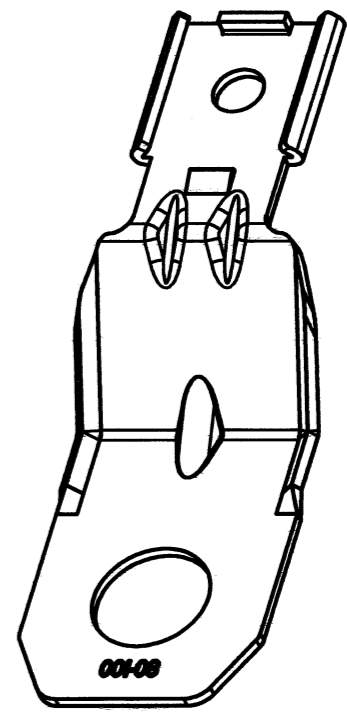
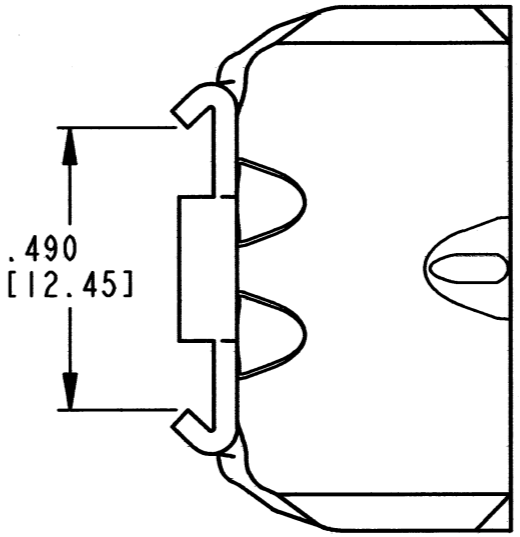
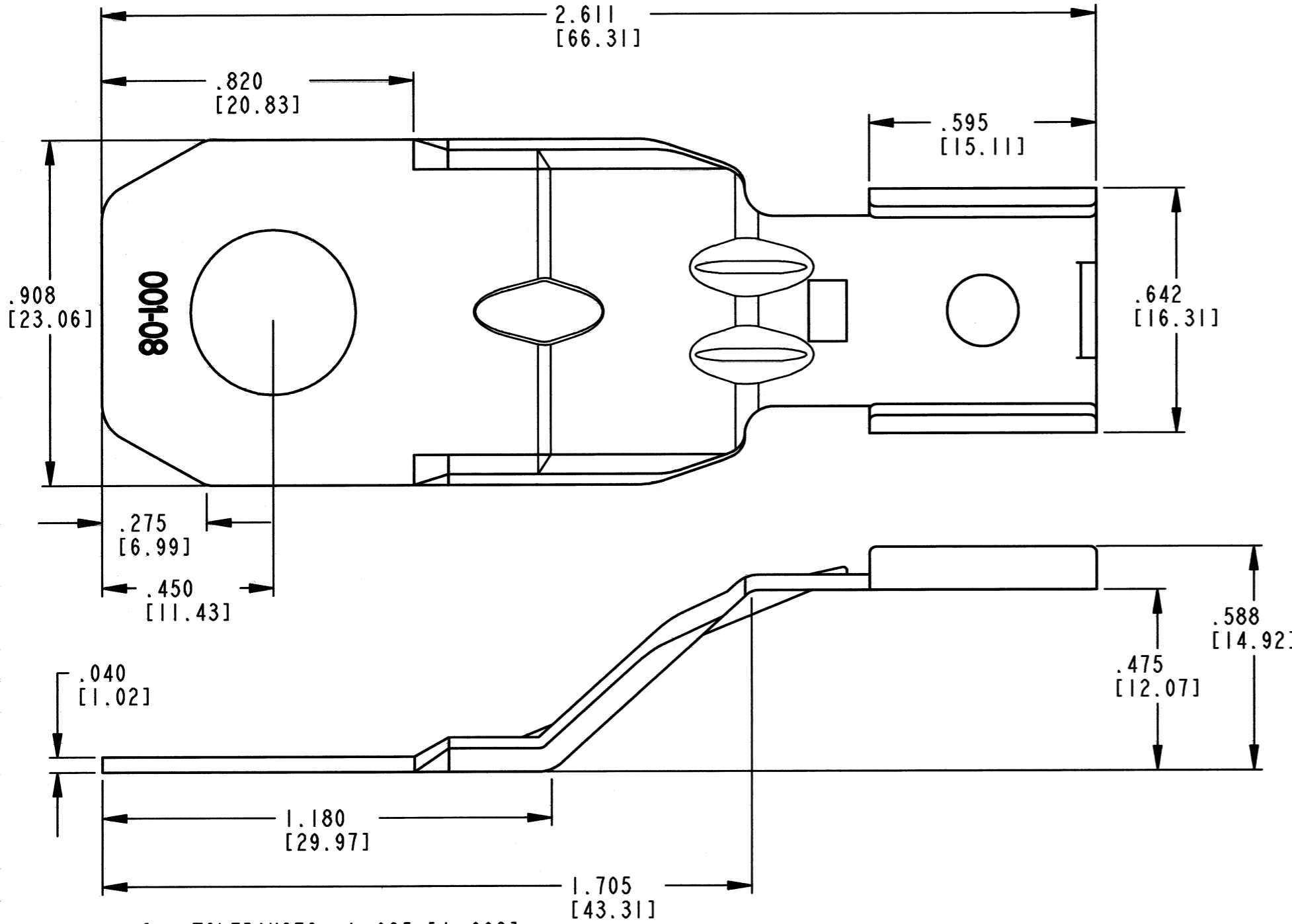
Email & Skype: info@chipsmall.com Web: www.chipsmall.com

Address: A1208, Overseas Decoration Building, #122 Zhenhua RD., Futian, Shenzhen, China



REV
C 1027-001-0800
2008&014

REVISIONS			
SYM	DESCRIPTION	DATE	APPROVED
NC	NEW RELEASE PER E.O. P15950	4/20/99	R.D.R.
A	REVISED PER E.O. P16210	11/19/99	R.D.R.
B	REVISED PER E.O. P17504	12/10/01	R.D.R.
C	REVISED PER E.O. P20851	3-25-11	RDR



3D VIEW

3. TOLERANCES: ±.025 [±.063].

2. PART INFORMATION:

PART NUMBER	MATERIAL	HOLE DIAMETER
1027-001-0800	STAINLESS STEEL	.433 [11.0]
1027-002-0800	STEEL-ZINC PLATE	.512 [13.0]
1027-006-0800	STAINLESS STEEL	.512 [13.0]
1027-014-0800	STEEL-ZINC PLATE	.323 [8.2]

NOTES: 1. DIMENSIONS ARE IN INCHES [MILLIMETERS].

SIGNATURE & DATE	
DR	S. THEIS 11/09/99
CHK	B. Byford 3/13/2011
PE	A. Wessinger 7/15/11
APPD	S. Beaud 3/13/11
SCALE	NONE WT

METAL CLIP/
MOUNTING BRACKET
FOR 8 WAY RECEPTACLE
DT SERIES

ENVELOPE

EP	MATL. CODE
3850 INDUSTRIAL AVE. HEMET, CA 92545	
B 1027-001-0800 2008&014	
DWG SIZE	CODE 11139 SHEET OF