



Chipsmall Limited consists of a professional team with an average of over 10 year of expertise in the distribution of electronic components. Based in Hongkong, we have already established firm and mutual-benefit business relationships with customers from,Europe,America and south Asia,supplying obsolete and hard-to-find components to meet their specific needs.

With the principle of “Quality Parts,Customers Priority,Honest Operation,and Considerate Service”,our business mainly focus on the distribution of electronic components. Line cards we deal with include Microchip,ALPS,ROHM,Xilinx,Pulse,ON,Everlight and Freescale. Main products comprise IC,Modules,Potentiometer,IC Socket,Relay,Connector.Our parts cover such applications as commercial,industrial, and automotives areas.

We are looking forward to setting up business relationship with you and hope to provide you with the best service and solution. Let us make a better world for our industry!



Contact us

Tel: +86-755-8981 8866 Fax: +86-755-8427 6832

Email & Skype: info@chipsmall.com Web: www.chipsmall.com

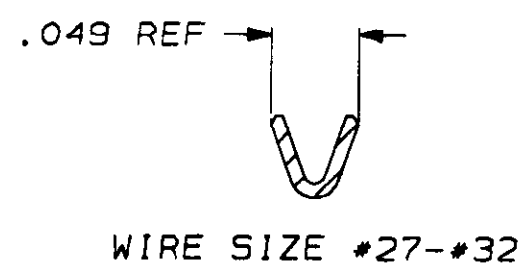
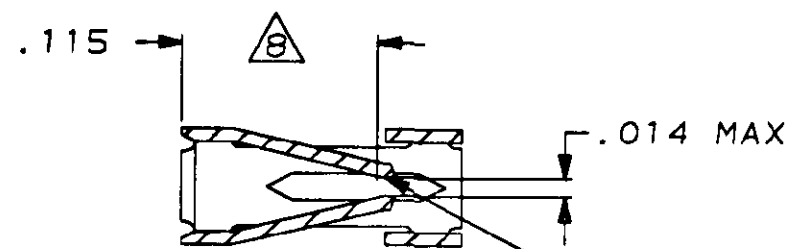
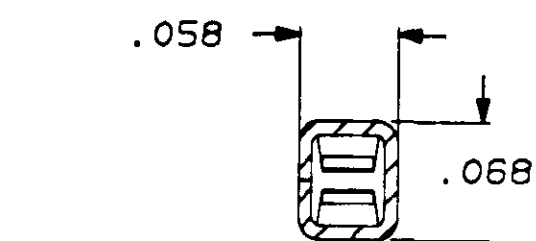
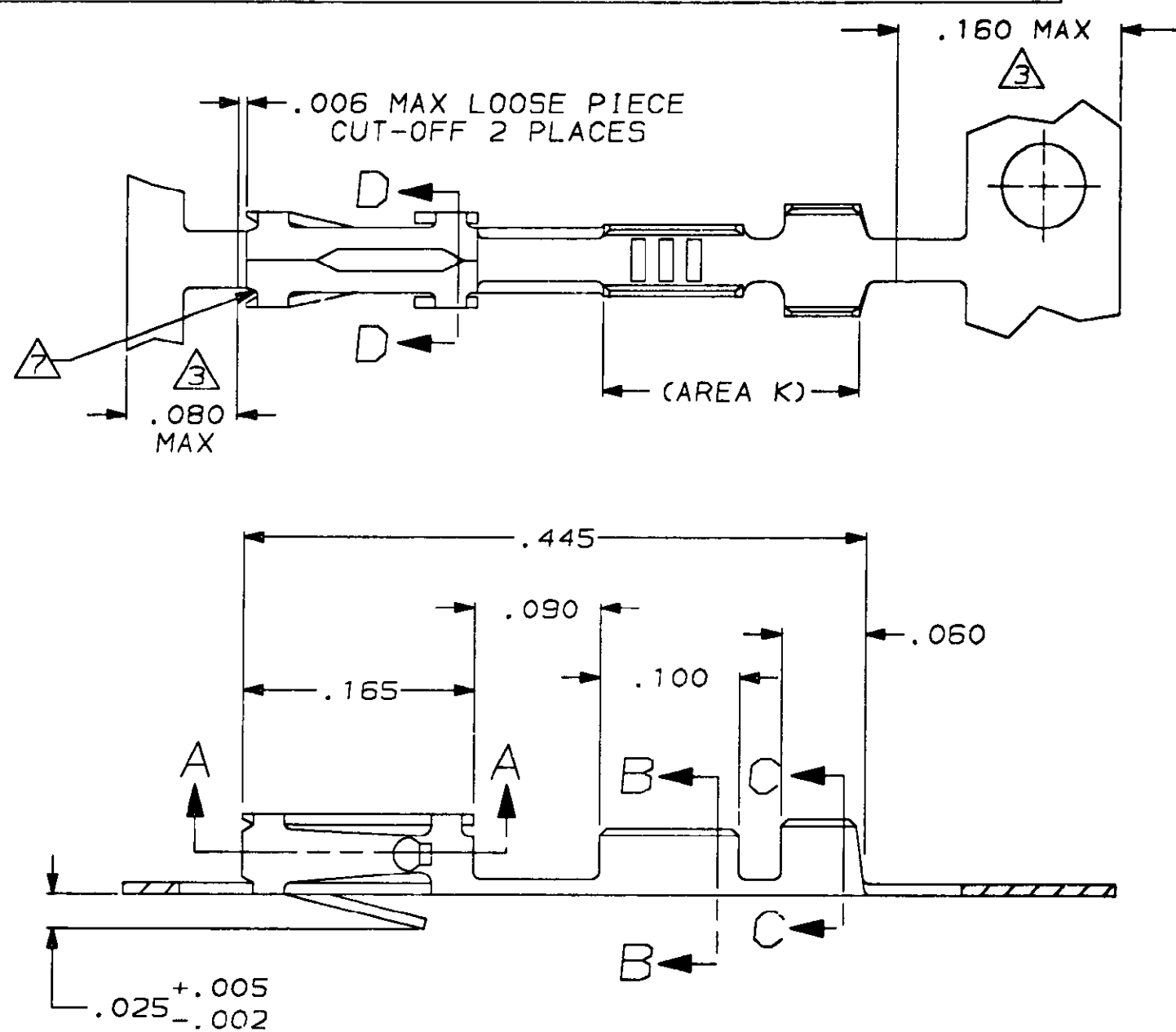
Address: A1208, Overseas Decoration Building, #122 Zhenhua RD., Futian, Shenzhen, China



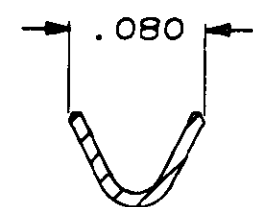
DRAWING MADE IN THIRD ANGLE PROJECTION

THIS DRAWING IS UNPUBLISHED. RELEASED FOR PUBLICATION .19
 © COPYRIGHT 19 BY AMP INCORPORATED, HARRISBURG, PA. ALL INTERNATIONAL RIGHTS RESERVED. AMP PRODUCTS MAY BE COVERED BY U.S. AND FOREIGN PATENTS AND/OR PATENTS PENDING.

MOD	LOC	DIST	P	F	ZONE	LTR	DESCRIPTION	DATE	APPROVED
30	AD	39					REV PER ECN AR-2356	5/3/89	KIM
							REV LOC & DIST AD-4171	3-90	BF
							REV PER AD-5350	2-20-91	-
							REV PER AD-5463	3-19-91	-
							OBS -8 PER 0010-1863-93	1-14-93	PS



SECTION B-B



SECTION C-C

INSULATION RANGE - .020-.040 DIA

- ① .000030 GOLD ON CONTACT AREA, GOLD FLASH ON REMAINDER OVER .000050 NICKEL
- 2. REELED FOR MINI APPLICATOR
- ③ GOLD PLATING IS NOT REQUIRED IN THIS AREA
- ④ HAND TOOL USED FOR CRIMPING L.P. CONTACT IS #90358-1
- ⑤ .000015 GOLD ON CONTACT AREA, GOLD FLASH ON REMAINDER OVER .000050 NICKEL
- ⑥ .000030 GOLD ON THE CONTACT AREA, .000100-.000200 93/7 BRIGHT TIN-LEAD IN AREA K, ALL OVER .000050 NICKEL
- ⑦ CUT-OUTS ON THE BOX ARE AT MANUFACTURERS OPTION
- ⑧ POINT OF MEASUREMENT FOR PLATING THICKNESS (INSIDE BEAMS)
- ⑨ OBSOLETE PART NUMBER

LOOSE PIECE	④	⑥	⑨	102918-6
LOOSE PIECE	④	⑤	⑨	102918-5
LOOSE PIECE	④	⑤	⑨	102918-4
LOOSE PIECE	④	⑤	⑨	102918-3
LOOSE PIECE	④	①		102918-2
LOOSE PIECE	④	①		102918-1
REMARKS	FINISH		PART NUMBER	

UNLESS OTHERWISE SPECIFIED DIMENSIONS ARE IN INCHES TOLERANCES ON:
 2 PL DEC ± -
 3 PL DEC ± .005
 ANGLES ± -

MATERIAL: BERYLLIUM COPPER, .008 THICK

FINISH: SEE TABLE

DR 5/3/89
KATE HELM

CHK 6-2-89
C. OBERMAN

APPD 6-2-89
J. GESFORD

APPD 6-6-89
FLINCHBAUGH

PRODUCT SPEC
108-25021

APPLICATION SPEC
114-25003

WEIGHT -

AMP AMP INCORPORATED
Harrisburg, Pa. 17105

NAME
CONTACT, MOD IV 1/2,
PECEPTACLE, CRIMP
SNAP-IN

SIZE **C** FSCM NO 00779 DRAWING NO 102918

SCALE 10:1 SHEET 1 OF 1