



Chipsmall Limited consists of a professional team with an average of over 10 year of expertise in the distribution of electronic components. Based in Hongkong, we have already established firm and mutual-benefit business relationships with customers from,Europe,America and south Asia,supplying obsolete and hard-to-find components to meet their specific needs.

With the principle of “Quality Parts,Customers Priority,Honest Operation,and Considerate Service”,our business mainly focus on the distribution of electronic components. Line cards we deal with include Microchip,ALPS,ROHM,Xilinx,Pulse,ON,Everlight and Freescale. Main products comprise IC,Modules,Potentiometer,IC Socket,Relay,Connector.Our parts cover such applications as commercial,industrial, and automotives areas.

We are looking forward to setting up business relationship with you and hope to provide you with the best service and solution. Let us make a better world for our industry!



## Contact us

Tel: +86-755-8981 8866 Fax: +86-755-8427 6832

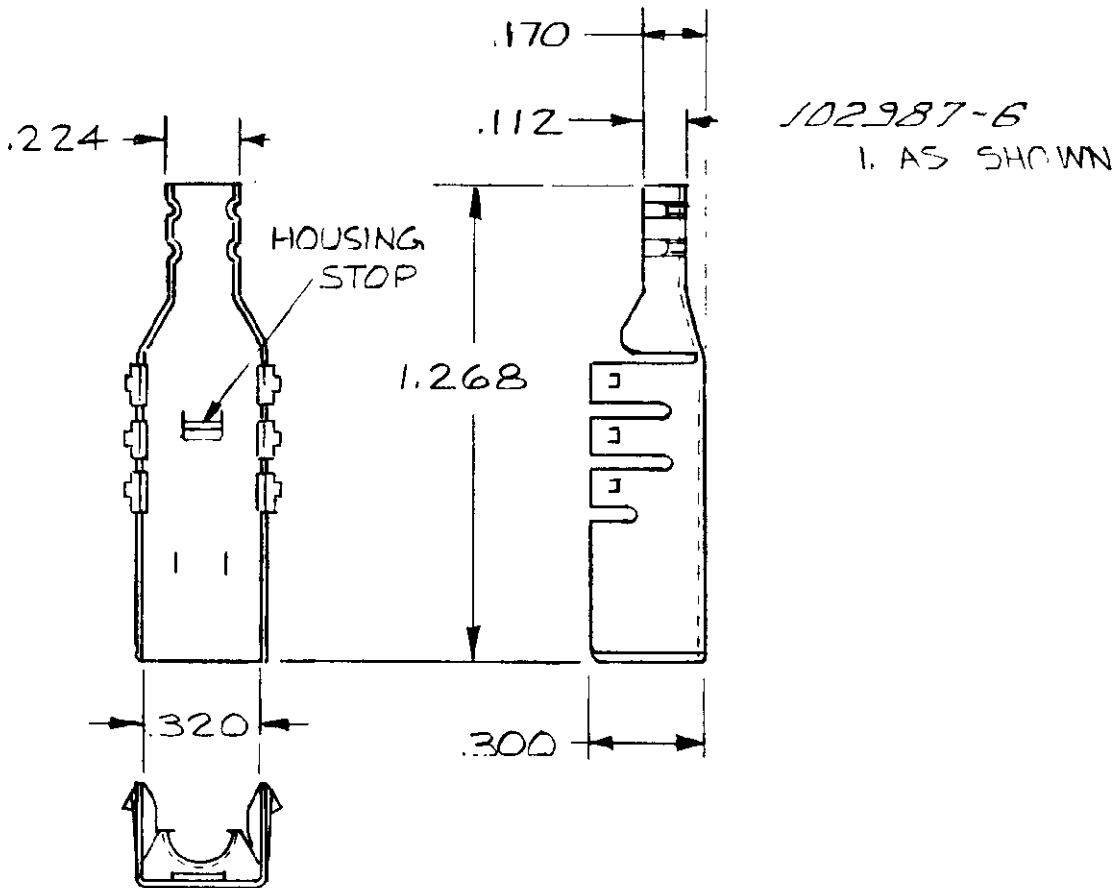
Email & Skype: info@chipsmall.com Web: www.chipsmall.com

Address: A1208, Overseas Decoration Building, #122 Zhenhua RD., Futian, Shenzhen, China



© COPYRIGHT 1982 BY AMP INCORPORATED, HARRISBURG, PA. ALL INTERNATIONAL RIGHTS RESERVED. AMP INCORPORATED PRODUCTS COVERED BY U.S. AND FOREIGN PATENTS AND /OR PATENTS PENDING.

REVISIONS			
LTR	DESCRIPTION	DATE	APPROVED
<i>A</i>	<i>REF. WAS 5035-10</i>	<i>11-21-80</i>	
<i>A</i>	<i>REV LOC &amp; DIST AD-4171</i>	<i>JPG 11-21-80</i>	<i>BF</i>
<b>B</b>	<b>REV PER 0G3C-0449-00</b>	<b>30OCT00</b>	<b>JM</b>



PART NO

UNLESS OTHERWISE SPECIFIED DIMENSIONS ARE IN INCHES. TOLERANCES ON: DECIMALS ± .010 ANGLES ±

CONTRACT NO  
 DR. *7-1-82*  
 CHG *Landis 7/20/82*  
 APPD *Landis 7/20/82*  
 APPD *Landis 7/20/82*

**AMP** AMP INCORPORATED Harrisburg, Pa.

MATERIAL  
 COPPER ALLOY  
 .020 TH'K

NAME SHELL, INNER, 180° CABLE EXIT, AMPMODU MT  
 6 POSITION SHIELDED CONNECTOR

FINISH  
 PRE-TINNED  
 .000030 MIN.

DESIGN APPD  
 OTHER APPD

SIZE **A** CODE IDENT NO **00779** DRAWING NO *102987*  
 SCALE N.T.S. SHEET 1 OF 1