



Chipsmall Limited consists of a professional team with an average of over 10 year of expertise in the distribution of electronic components. Based in Hongkong, we have already established firm and mutual-benefit business relationships with customers from,Europe,America and south Asia,supplying obsolete and hard-to-find components to meet their specific needs.

With the principle of “Quality Parts,Customers Priority,Honest Operation,and Considerate Service”,our business mainly focus on the distribution of electronic components. Line cards we deal with include Microchip,ALPS,ROHM,Xilinx,Pulse,ON,Everlight and Freescale. Main products comprise IC,Modules,Potentiometer,IC Socket,Relay,Connector.Our parts cover such applications as commercial,industrial, and automotives areas.

We are looking forward to setting up business relationship with you and hope to provide you with the best service and solution. Let us make a better world for our industry!



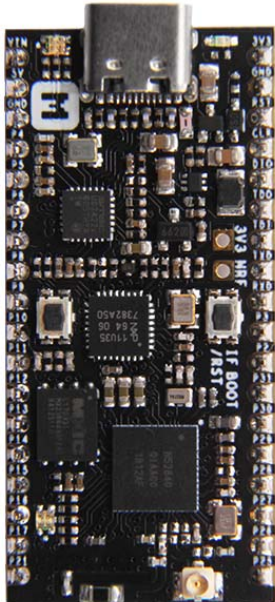
## Contact us

Tel: +86-755-8981 8866 Fax: +86-755-8427 6832

Email & Skype: info@chipsmall.com Web: www.chipsmall.com

Address: A1208, Overseas Decoration Building, #122 Zhenhua RD., Futian, Shenzhen, China





# NRF52840 MICRO DEVELOPMENT KIT

SKU 102991094

## Description

The nRF52840-MDK is a versatile, easy-to-use IoT hardware platform for Bluetooth 5, Bluetooth Mesh, Thread, IEEE 802.15.4, ANT and 2.4GHz proprietary applications using the nRF52840 SoC.

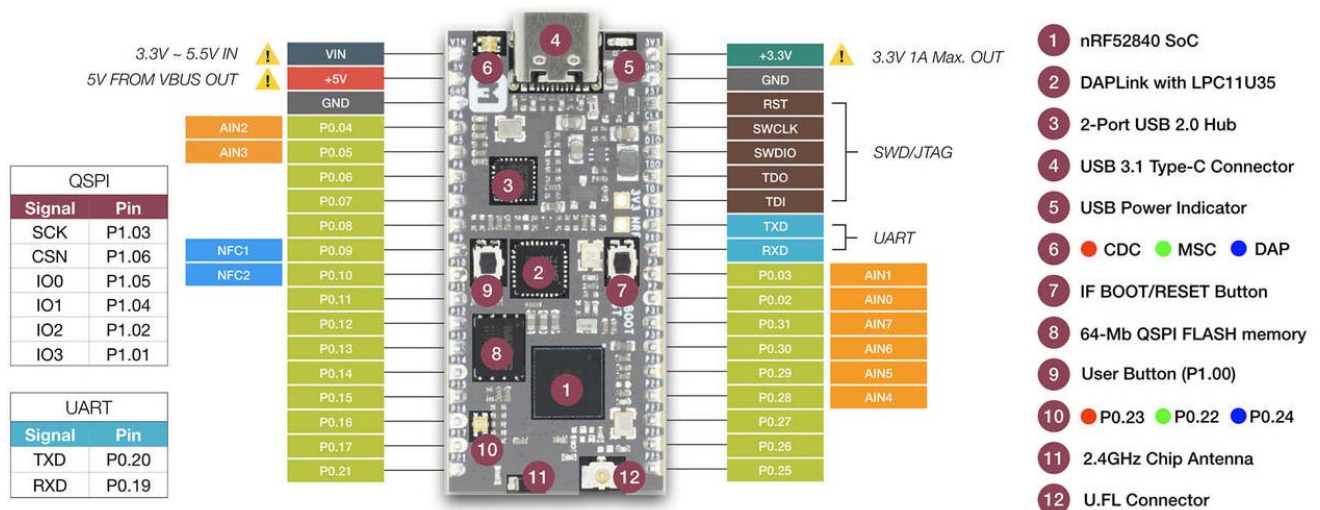
The development kit comes with a fully integrated debugger (also known as [DAPLink](#)) that provides USB drag-and-drop programming, USB Virtual COM port and CMSIS-DAP interface.

The kit contains a Microchip USB 2.0 Hi-Speed hub controller with two downstream ports: one for DAPLink interface and one for nRF52840 USB device controller. The kit also features ultra-low power 64-Mb QSPI FLASH memory, programmable user button, RGB LED, up to 24 GPIOs, antenna selection for custom applications.

It supports the standard Nordic Software Development Tool-chain using GCC, Keil and IAR. It can also be used to play with many popular frameworks, such as nRF5 SDK, nRF5 SDK for Mesh, OpenThread, ZigBee 3.0, Mbed OS 5, Zephyr, Mynewt, Web Bluetooth, iBeacon, Eddystone, and more.

## Hardware Features:

- Nordic nRF52840 System-on-Chip
  - ARM® Cortex®-M4F processor optimized for ultra-low power operation
  - Combining Bluetooth 5, Bluetooth Mesh, Thread, IEEE 802.15.4, ANT and 2.4GHz proprietary
  - On-chip NFC-A tag
  - On-chip USB 2.0 (Full speed) controller
  - ARM TrustZone® Cryptocell 310 security subsystem
  - 1 MB FLASH and 256 kB RAM
- Program/Debug options with DAPLink
  - MSC - drag-n-drop programming flash memory
  - CDC - virtual com port for log, trace and terminal emulation
  - HID - CMSIS-DAP compliant debug channel
  - WEBUSB HID - CMSIS-DAP compliant debug channel
- Microchip 2-Port USB 2.0 Hi-Speed Hub Controller
- External ultra-low power 64-Mb QSPI FLASH memory
- Up to 24 GPIOs available via headers
- IF Boot/Reset Button
- User programmable Button and RGB LED
- On-board 2.4G chip antenna
- U.FL connector selectable for external antenna
- 3.3V regulator with 1A peak current output
- VBUS & VIN Power-Path Management
- Reversible USB 3.1 Type-C Connector
- Breadboard-friendly with dual 18-Pin headers
- Measures 1.97"x 0.9"x 0.51" (50mm x 23mm x 13mm) with headers soldered in



## Technical Details

|            |                    |
|------------|--------------------|
| Dimensions | 50mm x 23mm x 13mm |
| Weight     | G.W 36g            |
| Battery    | Exclude            |

## Part List

|                      |   |
|----------------------|---|
| nRF52840-MDK Board   | 1 |
| USB 3.1 Type-C Cable | 1 |

