



Chipsmall Limited consists of a professional team with an average of over 10 year of expertise in the distribution of electronic components. Based in Hongkong, we have already established firm and mutual-benefit business relationships with customers from,Europe,America and south Asia,supplying obsolete and hard-to-find components to meet their specific needs.

With the principle of “Quality Parts,Customers Priority,Honest Operation,and Considerate Service”,our business mainly focus on the distribution of electronic components. Line cards we deal with include Microchip,ALPS,ROHM,Xilinx,Pulse,ON,Everlight and Freescale. Main products comprise IC,Modules,Potentiometer,IC Socket,Relay,Connector.Our parts cover such applications as commercial,industrial, and automotives areas.

We are looking forward to setting up business relationship with you and hope to provide you with the best service and solution. Let us make a better world for our industry!



Contact us

Tel: +86-755-8981 8866 Fax: +86-755-8427 6832

Email & Skype: info@chipsmall.com Web: www.chipsmall.com

Address: A1208, Overseas Decoration Building, #122 Zhenhua RD., Futian, Shenzhen, China



Thermofit® Molded Parts Specification Control Drawing

Part Number: 102A911
Description: Switch Cover

Notes:

1. All dimensions are in $\frac{\text{Inches}}{\text{[Millimeters]}}$
2. Dimensions appearing in table are as follows:
a - as supplied
b - after unrestricted recovery
3. Coating is optional. As supplied dimensions appearing in table are for uncoated parts. When coating is added, entry diameters will be reduced by .06 max.
4. This part fits MS 24523 switch or equivalent shaped bat handle switch.
5. Standard color is grey. Other colors available upon request.

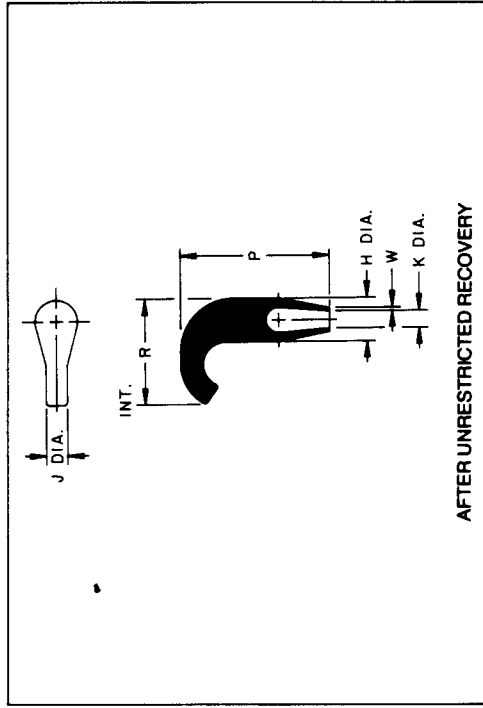
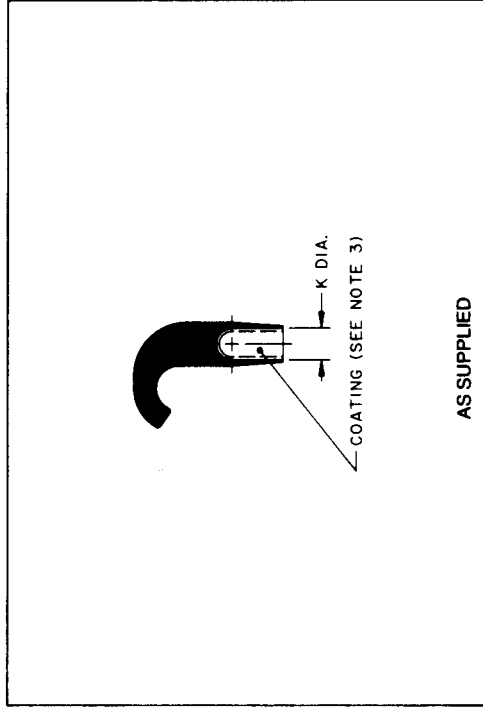


Table of Dimensions

Part Number	H ±10% b	J ±10% b	K		P ±10% b	R ±10% b	W ±10% b	Weight Nom
			Min a	Max b				
102A911	.40 [10,2]	.20 [5,1]	.29 [7,4]	.18 [4,6]	1.35 [34,3]	.96 [24,4]	.03 [0,76]	.007 [3,0]

Raychem

Raychem Corporation
300 Constitution Drive
Menlo Park, California 94025
415) 361 6055

Revision: B
Date: 3-8-90

Part Number: 102A911
Description: Switch Cover

Thermofit® Molded Parts Specification Control Drawing

Part Number: 102A911
Description: Switch Cover

Compatibility Chart					
Material Dash No.	Material Description	RT Spec	Coating Slash No.	Coating S No.	Coating Description
- 3	Polyolefin, Semi-Rigid	RT-301	/42	S-1017	Adhesive

Ordering Information:

102A911 - X - XX / XX

Base part number _____

Material dash number _____
(see compatibility chart)

Modification number _____
(if necessary, see front of SCD binder
for a complete modification list)

Adhesive slash number _____
(if necessary, see compatibility chart)

This drawing is subject to change without notice; consult your nearest field representative for current revision.

Raychem
Raychem Corporation
300 Constitution Drive
Menlo Park, California 94025
415) 361 6055

Revision: B
Date: 3-8-90

Part Number: 102A911
Description: Switch Cover