



Chipsmall Limited consists of a professional team with an average of over 10 year of expertise in the distribution of electronic components. Based in Hongkong, we have already established firm and mutual-benefit business relationships with customers from,Europe,America and south Asia,supplying obsolete and hard-to-find components to meet their specific needs.

With the principle of “Quality Parts,Customers Priority,Honest Operation,and Considerate Service”,our business mainly focus on the distribution of electronic components. Line cards we deal with include Microchip,ALPS,ROHM,Xilinx,Pulse,ON,Everlight and Freescale. Main products comprise IC,Modules,Potentiometer,IC Socket,Relay,Connector.Our parts cover such applications as commercial,industrial, and automotives areas.

We are looking forward to setting up business relationship with you and hope to provide you with the best service and solution. Let us make a better world for our industry!



## Contact us

Tel: +86-755-8981 8866 Fax: +86-755-8427 6832

Email & Skype: info@chipsmall.com Web: www.chipsmall.com

Address: A1208, Overseas Decoration Building, #122 Zhenhua RD., Futian, Shenzhen, China



# Thermofit® Molded Parts

## Specification Control Drawing

**Part Number:** 102A962  
**Description:** Switch Cover

**Notes:**

- All dimensions are in  $\frac{\text{Inches}}{\text{[Millimeters]}}$
- Dimensions appearing in table are as follows:  
 a - as supplied  
 b - after unrestricted recovery
- Coating is optional. As supplied dimensions appearing in table are for uncoated parts. When coating is added, entry diameters will be reduced by .06 max.
- Standard color is grey. Other colors available upon request.

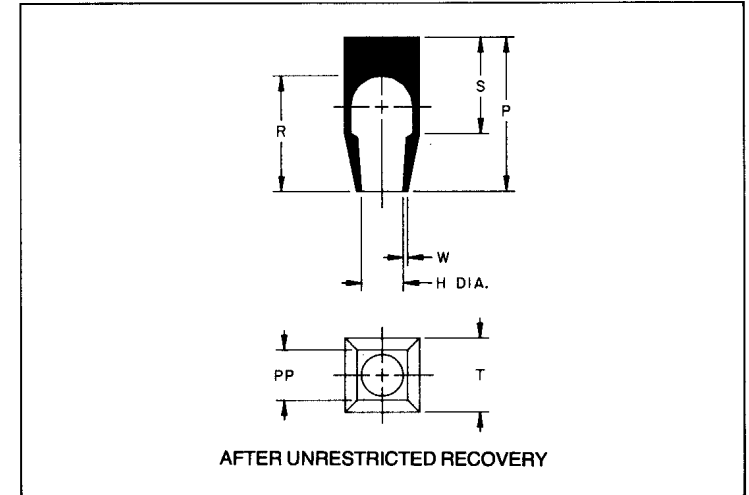
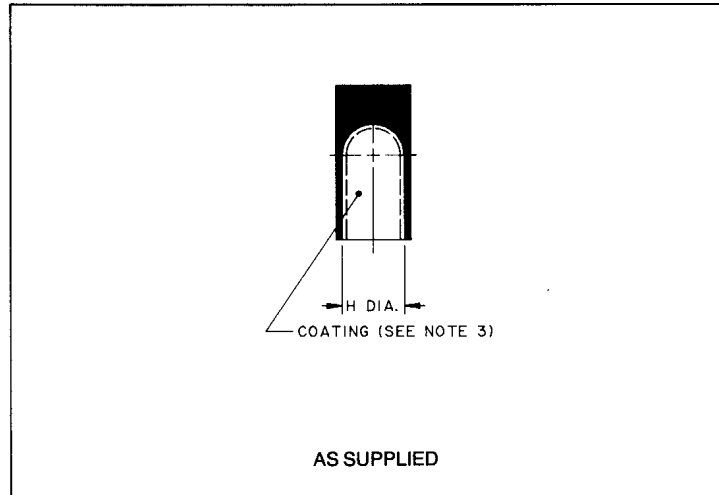


Table of Dimensions									
Part Number	H		P ±10% b	R ±10% b	S Ref b	T ±10% b	PP ±10% b	W ±20% b	Weight Nom
	Min a	Max b							
102A962	$\frac{.50}{[12,7]}$	$\frac{.28}{[7,1]}$	$\frac{1.04}{[26,4]}$	$\frac{.78}{[19,8]}$	$\frac{.65}{[16,5]}$	$\frac{.49}{[12,4]}$	$\frac{.31}{[7,9]}$	$\frac{.03}{[0,76]}$	$\frac{.007}{[3,0]}$

**Raychem**

Raychem Corporation  
 300 Constitution Drive  
 Menlo Park, California 94025  
 415) 361 6055

If this document is printed it becomes uncontrolled.  
 Check with the web for latest revision.

Revision: **B**  
 Date: **3-8-90**

**Part Number:** 102A962  
**Description:** Switch Cover

# Thermofit® Molded Parts

## Specification Control Drawing

**Part Number:** 102A962  
**Description:** Switch Cover

Compatability Chart					
Material Dash No.	Material Description	RT Spec	Coating Slash No.	Coating S No.	Coating Description
- 3	Polyolefin, Semi-Rigid	RT-301	/42	S-1017	Adhesive

### Ordering Information:

102A962 — X — XX / XX

Base part number

Material dash number  
 (see compatability chart)

Modification number  
 (if necessary, see front of SCD binder  
 for a complete modification list)

Adhesive slash number  
 (if necessary, see compatability chart)

This drawing is subject to change without notice; consult your nearest field representative for current revision.

## Raychem

Raychem Corporation  
 300 Constitution Drive  
 Menlo Park, California 94025  
 415) 361 6055

If this document is printed it becomes uncontrolled.  
 Check with the web for latest revision.

Revision: **B**  
 Date: **3-8-90**

**Part Number:** 102A962  
**Description:** Switch Cover