



Chipsmall Limited consists of a professional team with an average of over 10 year of expertise in the distribution of electronic components. Based in Hongkong, we have already established firm and mutual-benefit business relationships with customers from,Europe,America and south Asia,supplying obsolete and hard-to-find components to meet their specific needs.

With the principle of “Quality Parts,Customers Priority,Honest Operation,and Considerate Service”,our business mainly focus on the distribution of electronic components. Line cards we deal with include Microchip,ALPS,ROHM,Xilinx,Pulse,ON,Everlight and Freescale. Main products comprise IC,Modules,Potentiometer,IC Socket,Relay,Connector.Our parts cover such applications as commercial,industrial, and automotives areas.

We are looking forward to setting up business relationship with you and hope to provide you with the best service and solution. Let us make a better world for our industry!



## Contact us

Tel: +86-755-8981 8866 Fax: +86-755-8427 6832

Email & Skype: info@chipsmall.com Web: www.chipsmall.com

Address: A1208, Overseas Decoration Building, #122 Zhenhua RD., Futian, Shenzhen, China

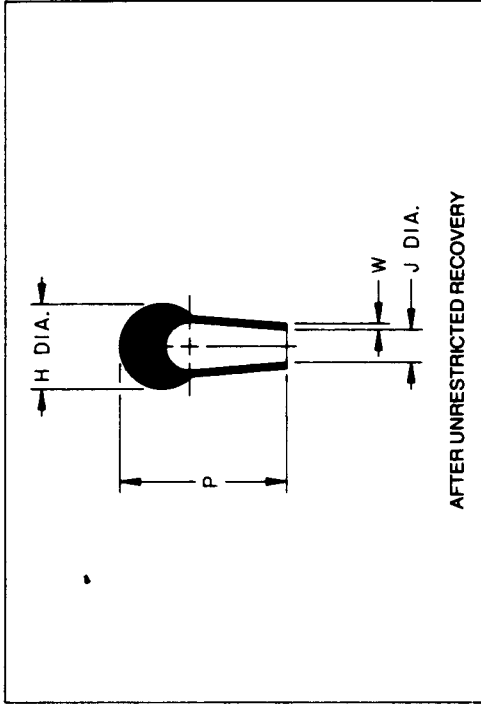
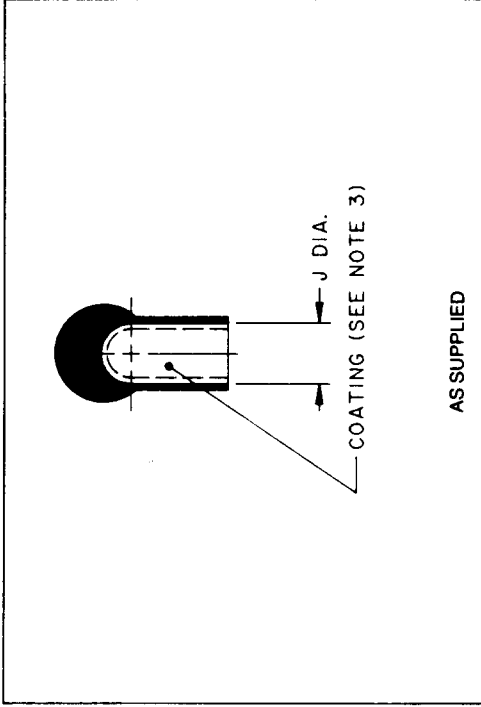


# Thermofit® Molded Parts Specification Control Drawing

**Part Number: 102A981**  
**Description: Switch Cover**

**Notes:**

- All dimensions are in  $\frac{\text{Inches}}{\text{[Millimeters]}}$
- Dimensions appearing in table are as follows:  
a - as supplied  
b - after unrestricted recovery
- Coating is optional. As supplied dimensions appearing in table are for uncoated parts. When coating is added, entry diameters will be reduced by .06 max.
- This part fits MS 24523 switch or equivalent shaped bat handle switch.
- Standard color is grey. Other colors available upon request.



**Table of Dimensions**

Part Number	H $\pm 10\%$ b	J		P $\pm 10\%$ b	W $\pm 20\%$ b	Weight Nom
		Min a	Max b			
102A981	$\frac{.42}{[10.7]}$	$\frac{.29}{[7.4]}$	$\frac{.18}{[4.6]}$	$\frac{.80}{[20.3]}$	$\frac{.03}{[0.76]}$	$\frac{.002}{[1.0]}$

**Raychem**  
Raychem Corporation  
300 Constitution Drive  
Menlo Park, California 94025  
415) 361 6055

Revision: **B**  
Date: **3-8-90**

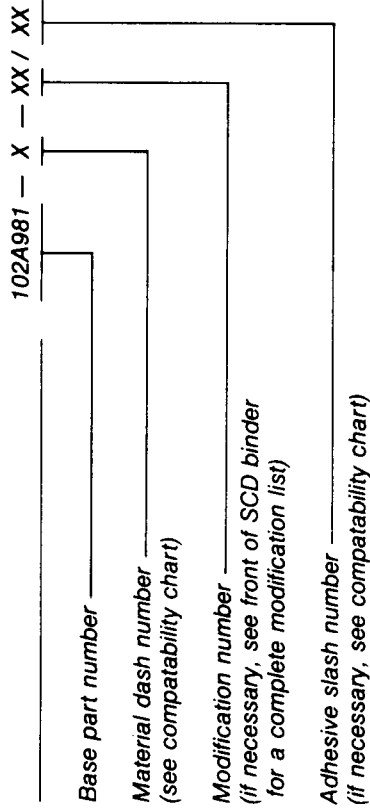
**Part Number: 102A981**  
**Description: Switch Cover**

# Thermofit® Molded Parts Specification Control Drawing

**Part Number: 102A981**  
**Description: Switch Cover**

Compatibility Chart					
Material Dash No.	Material Description	RT Spec	Coating Slash No.	Coating S No.	Coating Description
- 3	Polyolefin, Semi-Rigid	RT-301	/42	S-1017	Adhesive

## Ordering Information:



This drawing is subject to change without notice; consult your nearest field representative for current revision.

**Raychem**  
Raychem Corporation  
300 Constitution Drive  
Menlo Park, California 94025  
415) 361 6055

Revision: **B**  
Date: **3-8-90**

**Part Number: 102A981**  
**Description: Switch Cover**