



Chipsmall Limited consists of a professional team with an average of over 10 year of expertise in the distribution of electronic components. Based in Hongkong, we have already established firm and mutual-benefit business relationships with customers from,Europe,America and south Asia,supplying obsolete and hard-to-find components to meet their specific needs.

With the principle of “Quality Parts,Customers Priority,Honest Operation,and Considerate Service”,our business mainly focus on the distribution of electronic components. Line cards we deal with include Microchip,ALPS,ROHM,Xilinx,Pulse,ON,Everlight and Freescale. Main products comprise IC,Modules,Potentiometer,IC Socket,Relay,Connector.Our parts cover such applications as commercial,industrial, and automotives areas.

We are looking forward to setting up business relationship with you and hope to provide you with the best service and solution. Let us make a better world for our industry!



Contact us

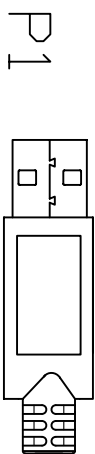
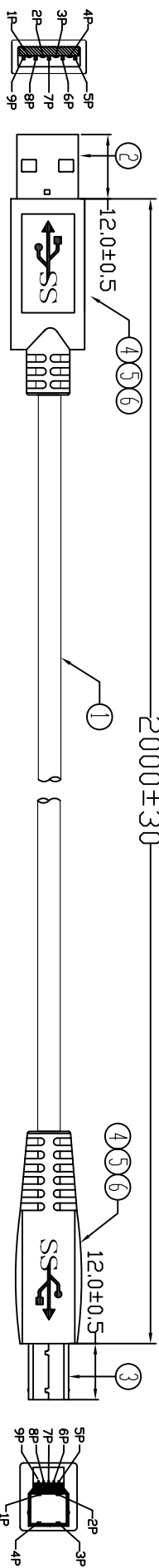
Tel: +86-755-8981 8866 Fax: +86-755-8427 6832

Email & Skype: info@chipsmall.com Web: www.chipsmall.com

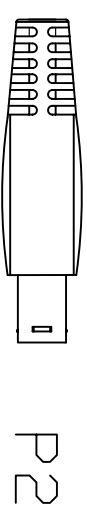
Address: A1208, Overseas Decoration Building, #122 Zhenhua RD., Futian, Shenzhen, China



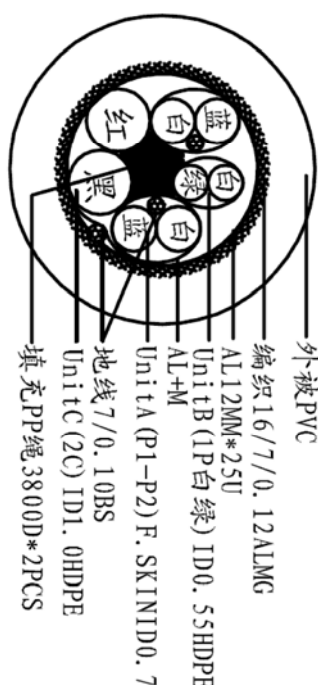
UNIT:mm



USB3.0 A/M MOLDING TPE
(USB3.0 A/公头 成型式)
OUTER MOLD NO:HU-CT-179
(模具编号)

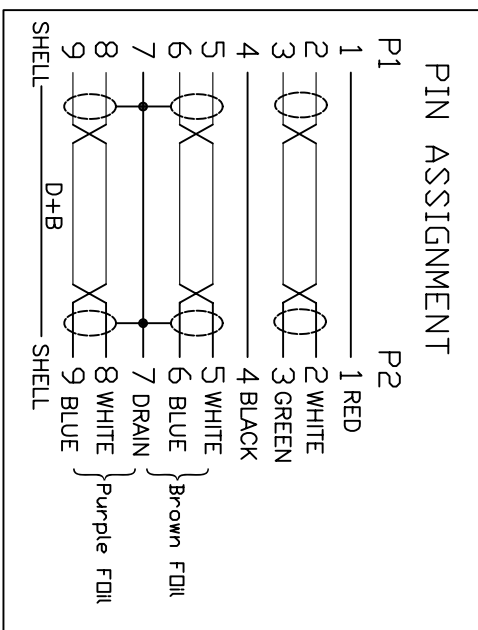


USB3.0 B/M MOLDING TPE
(USB3.0 B/公头 成型式)
OUTER MOLD NO:HU-CT-180
(模具编号)



DETAIL A-A

Electronic Test:
1.100% Test:(Open,Short,Miss Wire)
2.Contact Resistance:2 ohm max.
3.Insulation Resistance:10M ohm min.
4.Hi-Pot:300V DC/10ms



⑥	TUBE	4	HEAT SHRINK TUBE BLACK OD3.0*L=6mm.
⑤	TUBE	2	HEAT SHRINK TUBE BLACK OD0.8*L=9mm.
④	OUT JACKET	25g	OUTER MOLD:45P PVC COLOR:BLACK
③	CONN	1	USB3.0 B MALE TYPE SOLDER TYPE PIN-15U" INSULATION COLOR:BLUE SHELL-NICKEL
②	CONN	1	USB3.0 A MALE TYPE SOLDER TYPE PIN-15U" INSULATION COLOR:BLUE SHELL-NICKEL
①	CABLE	1	USB3.0 [(30AWG*1P+D+AL+M)*2P+30AWG*1P+24AWG*2C+ADB PVC JACKET:BLACK OD4.8±0.2

CnC Tech, LLC

Industrial Cable and Connector Technology

DRAWN BY	ZHONGHS	DRAWING NO.	
CHECKED BY		CUSTOMER	
APPROVAL BY		ITEM NO.	103-1030-BL-00200
DECIDE BY		DATE	2012-02-16
VERSIONS/EDITION	A/0	PROJECTION	