



Chipsmall Limited consists of a professional team with an average of over 10 year of expertise in the distribution of electronic components. Based in Hongkong, we have already established firm and mutual-benefit business relationships with customers from,Europe,America and south Asia,supplying obsolete and hard-to-find components to meet their specific needs.

With the principle of "Quality Parts,Customers Priority,Honest Operation,and Considerate Service",our business mainly focus on the distribution of electronic components. Line cards we deal with include Microchip,ALPS,ROHM,Xilinx,Pulse,ON,Everlight and Freescale. Main products comprise IC,Modules,Potentiometer,IC Socket,Relay,Connector.Our parts cover such applications as commercial,industrial, and automotives areas.

We are looking forward to setting up business relationship with you and hope to provide you with the best service and solution. Let us make a better world for our industry!



## Contact us

Tel: +86-755-8981 8866 Fax: +86-755-8427 6832

Email & Skype: info@chipsmall.com Web: www.chipsmall.com

Address: A1208, Overseas Decoration Building, #122 Zhenhua RD., Futian, Shenzhen, China



## Grove Base BoosterPack

SKU: 103020019



(images/110020004 5\_03.jpg)



([https://www.kickstarter.com/projects/seeed/wio-link-3-steps-5-minutes-build-your-iot-applicat/description?ref=banner\\_depot](https://www.kickstarter.com/projects/seeed/wio-link-3-steps-5-minutes-build-your-iot-applicat/description?ref=banner_depot))

Description

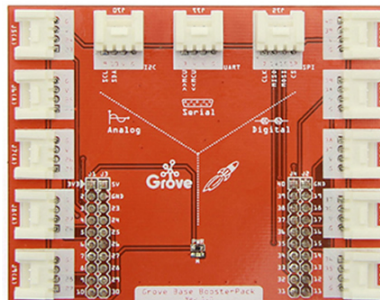
## Grove Base BoosterPack



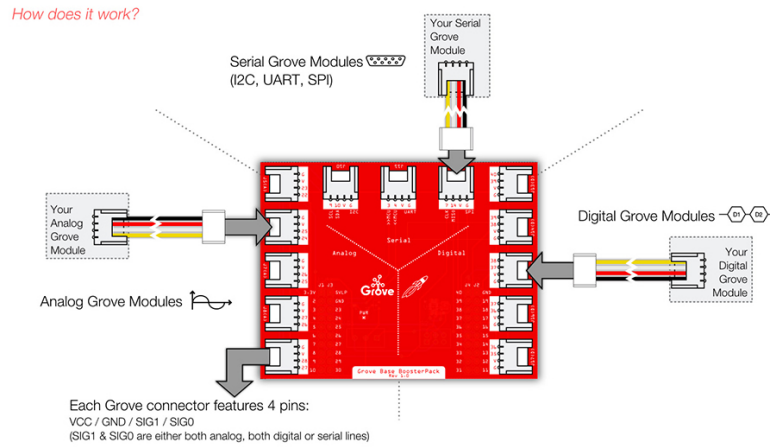
## What is Grove Base BoosterPack

Grove Base BoosterPack serves as an interface between the TI LaunchPad and the Seeed Studio Grove Family. Excitedly to say, it is a leap since Grove Base BoosterPack makes it possible to have rapid prototype on Texas Instruments LaunchPad. Users have the flexibility to build their demos among a range of sensors, actuators, displays, lights, motors and etc.

Grove Base BoosterPack is an expansion module that plugs on top of any TI LaunchPad, and enables the LaunchPad to interact with the expansive Grove family of modules. This enables developers to create a complete system of inputs & outputs by simply plugging in multiple Grove sensors and actuators to your LaunchPad.



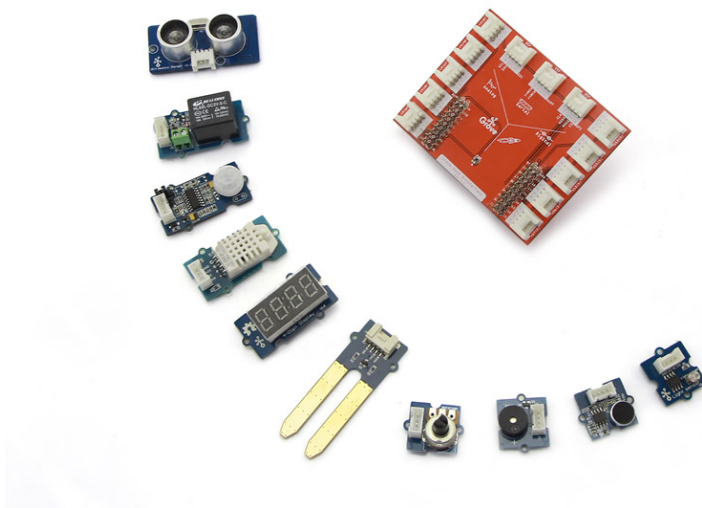
## How does it work?



## Software Environment

Energia (<http://energia.nu/>) is an open-source and community-driven development environment for LaunchPads. It is based on the popular Wiring framework offering a large collection of easy-to-use functions and APIs. It's available on the following LaunchPad kits: MSP430, TM4C, C2000, and CC3200 LaunchPad.

## Grove Starter Kit for LaunchPad



### Overview



Designer: Seed Studio (<http://www.seedstudio.com>)  
Other Products From This Designer  
(<http://www.seedstudio.com/depot/Seed-Studio-m-23.html?ref=pinfo>)

Weight: 60 g