



Chipsmall Limited consists of a professional team with an average of over 10 year of expertise in the distribution of electronic components. Based in Hongkong, we have already established firm and mutual-benefit business relationships with customers from,Europe,America and south Asia,supplying obsolete and hard-to-find components to meet their specific needs.

With the principle of "Quality Parts,Customers Priority,Honest Operation,and Considerate Service",our business mainly focus on the distribution of electronic components. Line cards we deal with include Microchip,ALPS,ROHM,Xilinx,Pulse,ON,Everlight and Freescale. Main products comprise IC,Modules,Potentiometer,IC Socket,Relay,Connector.Our parts cover such applications as commercial,industrial, and automotives areas.

We are looking forward to setting up business relationship with you and hope to provide you with the best service and solution. Let us make a better world for our industry!



## Contact us

Tel: +86-755-8981 8866 Fax: +86-755-8427 6832

Email & Skype: info@chipsmall.com Web: www.chipsmall.com

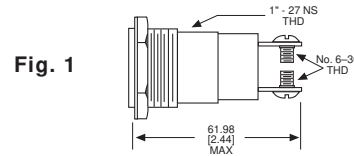
Address: A1208, Overseas Decoration Building, #122 Zhenhua RD., Futian, Shenzhen, China





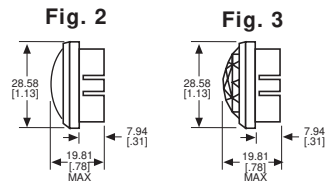
### 031 SERIES FOR 1" MOUNTING HOLE • FRICTION-FIT-CAP

BASE PART NO.	VOLTAGE	FIG
031-3101-01-101	6-250	1



Uses:  
S-6  
CANDELABRA  
SCREW BASE  
INCANDESCENT  
LAMP

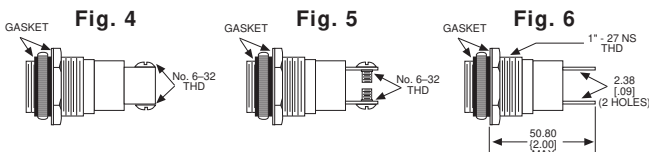
CAP PART NO.	COLOR	FIG	CAP PART NO.	COLOR	FIG
031-0111-300	RED	2	031-0431-300	RED	3
031-0112-300	GREEN	2	031-0432-300	GREEN	3
031-0113-300	AMBER	2	031-0433-300	AMBER	3
031-0135-300	WHITE	2	031-0435-300	WHITE	3
031-0137-300	CLEAR	2	031-0437-300	CLEAR	3



Material & Finish: Base - Nickel Plated Brass, Cap - Polycarbonate with Chrome Plated Brass Bezel

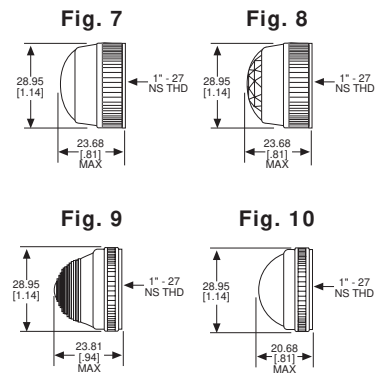
### 051 & 080 SERIES FOR 1" MOUNTING HOLE • WATERTIGHT

BASE PART NO.	VOLTAGE	FIG
080-0901-05-303	6-250	4
080-3101-05-303	6-250	5
080-4001-05-303	6-250	6



Uses:  
S-6  
CANDELABRA  
SCREW BASE  
INCANDESCENT  
LAMP

CAP PART NO.	COLOR	FIG	CAP PART NO.	COLOR	FIG
051-0111-303	RED	7	080-0531-303	RED	9
051-0112-303	GREEN	7	080-0532-303	GREEN	9
051-0113-303	AMBER	7	080-0533-303	AMBER	9
051-0135-303	WHITE	7	080-0535-303	WHITE	9
051-0137-303	CLEAR	7	080-0537-303	CLEAR	9
051-0431-303	RED	8	080-1231-303	RED	10
051-0432-303	GREEN	8	080-1232-303	GREEN	10
051-0433-303	AMBER	8	080-1233-303	AMBER	10
051-0435-303	WHITE	8	080-1235-303	WHITE	10
051-0437-303	CLEAR	8	080-1237-303	CLEAR	10

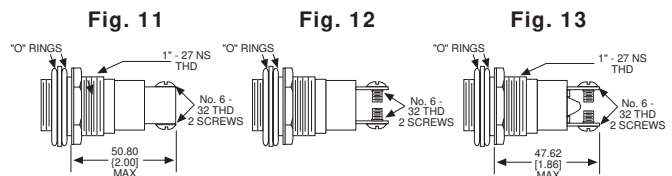


Material & Finish: Base - Chrome Plated Brass, Cap - Polycarbonate with Chrome Plated Brass Bezel

### 103 SERIES FOR 1" MOUNTING HOLE • OILTIGHT\*

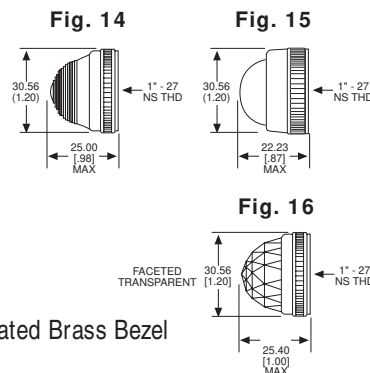
BASE PART NO.	VOLTAGE	FIG
103-0901-05-103	6-250	11
103-3101-05-103	6-250	12
103-3502-05-103†	24-250	13

† Takes S-6 Double Contact Bayonet Base Lamp



Uses:  
S-6  
CANDELABRA  
SCREW BASE  
INCANDESCENT  
LAMP

CAP PART NO.	COLOR	FIG	CAP PART NO.	COLOR	FIG
103-0531-403	RED	14	103-1233-403	AMBER	15
103-0532-403	GREEN	14	103-1235-403	WHITE	15
103-0533-403	AMBER	14	103-1237-403	CLEAR	15
103-0535-403	WHITE	14	103-1331-403	RED	16
103-0537-403	CLEAR	14	103-1332-403	GREEN	16
103-1231-403	RED	15	103-1333-403	AMBER	16
103-1232-403	GREEN	15	103-1335-403	WHITE	16
			103-1337-403	CLEAR	16



Material & Finish: Base - Nickel Plated Brass, Cap - Polycarbonate with Chrome Plated Brass Bezel

Neon and incandescent lamp information on Pages 35 and 36.

\* See Page 14 for Oiltight information

Dimensions in mm [inches]

