



Chipsmall Limited consists of a professional team with an average of over 10 year of expertise in the distribution of electronic components. Based in Hongkong, we have already established firm and mutual-benefit business relationships with customers from,Europe,America and south Asia,supplying obsolete and hard-to-find components to meet their specific needs.

With the principle of “Quality Parts,Customers Priority,Honest Operation,and Considerate Service”,our business mainly focus on the distribution of electronic components. Line cards we deal with include Microchip,ALPS,ROHM,Xilinx,Pulse,ON,Everlight and Freescale. Main products comprise IC,Modules,Potentiometer,IC Socket,Relay,Connector.Our parts cover such applications as commercial,industrial, and automotives areas.

We are looking forward to setting up business relationship with you and hope to provide you with the best service and solution. Let us make a better world for our industry!



## Contact us

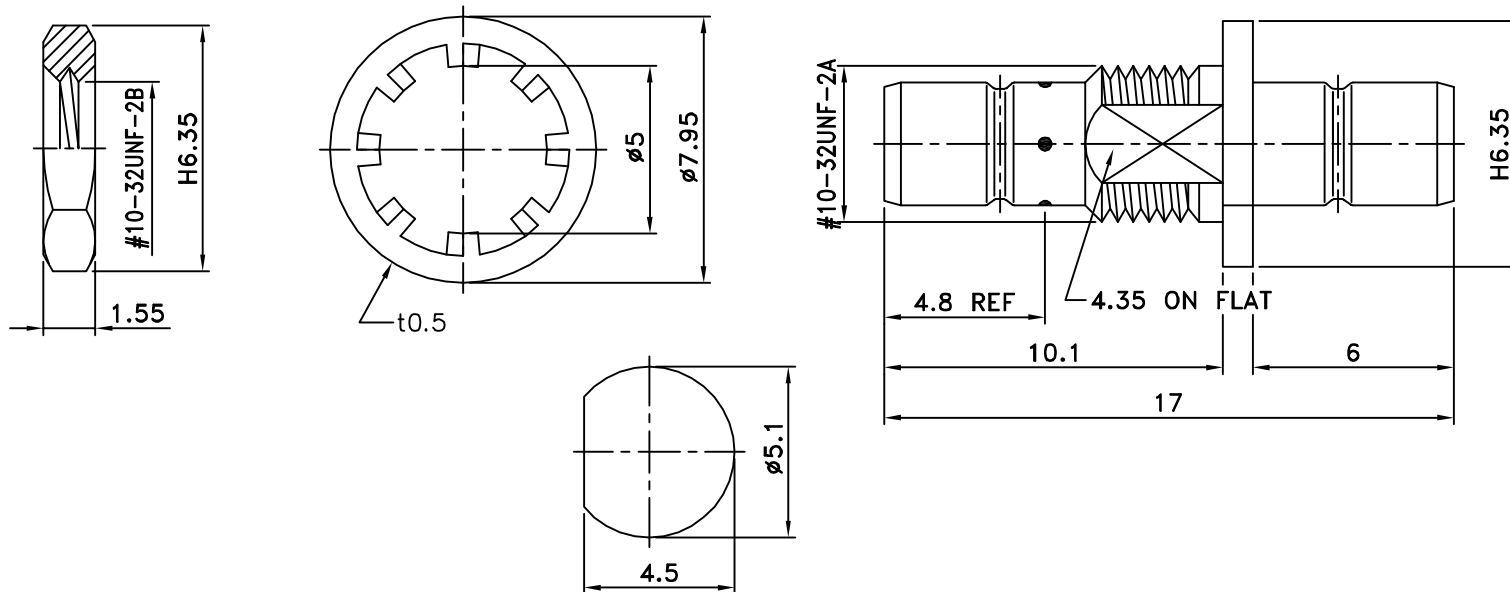
Tel: +86-755-8981 8866 Fax: +86-755-8427 6832

Email & Skype: info@chipsmall.com Web: www.chipsmall.com

Address: A1208, Overseas Decoration Building, #122 Zhenhua RD., Futian, Shenzhen, China



REV	DESCRIPTION\PER REQUEST	DRAWN	DATE



RECOMMENDED  
MOUNTING HOLE

5	Nut	1	Brass	Nickel	<table border="1"> <tr> <td>PART NO.</td> <td>1032A10505</td> <td colspan="2">* MAJOR DIMENSION</td> <td rowspan="5">           Bomar Interconnect Products, Inc            TITLE            SMB BULKHEAD JACK TO JACK ADAPTER            DRAWING NO.            ASSMB-18062-TGN            REV A         </td> </tr> <tr> <td>APPROVED</td> <td>DATE</td> <td colspan="2">UNLESS OTHERWISE NOTED TOLERANCES</td> </tr> <tr> <td>CHECKED</td> <td>DATE</td> <td colspan="2">0.5-6=±0.2</td> </tr> <tr> <td>DRAWN</td> <td>DATE</td> <td colspan="2">6-30=±0.4</td> </tr> <tr> <td></td> <td></td> <td colspan="2">30-120=±0.6</td> </tr> <tr> <td></td> <td></td> <td colspan="2">120-315=±1.0</td> </tr> <tr> <td></td> <td></td> <td colspan="2">ANGLES=±1°</td> </tr> <tr> <td>SCALE</td> <td>5/1</td> <td>UNIT</td> <td>mm</td> <td>FILE NO. W:\AS\ASSMB\ASSMB-18062-TGN Bomar-&gt;20121105</td> </tr> </table>	PART NO.	1032A10505	* MAJOR DIMENSION		Bomar Interconnect Products, Inc TITLE SMB BULKHEAD JACK TO JACK ADAPTER DRAWING NO. ASSMB-18062-TGN REV A	APPROVED	DATE	UNLESS OTHERWISE NOTED TOLERANCES		CHECKED	DATE	0.5-6=±0.2		DRAWN	DATE	6-30=±0.4				30-120=±0.6				120-315=±1.0				ANGLES=±1°		SCALE	5/1	UNIT	mm	FILE NO. W:\AS\ASSMB\ASSMB-18062-TGN Bomar->20121105
PART NO.	1032A10505	* MAJOR DIMENSION		Bomar Interconnect Products, Inc TITLE SMB BULKHEAD JACK TO JACK ADAPTER DRAWING NO. ASSMB-18062-TGN REV A																																			
APPROVED	DATE	UNLESS OTHERWISE NOTED TOLERANCES																																					
CHECKED	DATE	0.5-6=±0.2																																					
DRAWN	DATE	6-30=±0.4																																					
		30-120=±0.6																																					
		120-315=±1.0																																					
		ANGLES=±1°																																					
SCALE	5/1	UNIT	mm	FILE NO. W:\AS\ASSMB\ASSMB-18062-TGN Bomar->20121105																																			
4	Washer	1	Brass	Nickel																																			
3	Dielectric	1	Teflon	None																																			
2	Pin	1	Brass	Gold																																			
1	Body	1	Brass	Nickel																																			
NO	Description	Q'ty	Material	Finish	<table border="1"> <tr> <td>APPROVED</td> <td>DATE</td> <td>10/26/12</td> </tr> <tr> <td>CHECKED</td> <td>DATE</td> <td>10/26/12</td> </tr> <tr> <td>DRAWN</td> <td>DATE</td> <td>10/26/12</td> </tr> <tr> <td></td> <td>Wen</td> <td></td> </tr> </table>	APPROVED	DATE	10/26/12	CHECKED	DATE	10/26/12	DRAWN	DATE	10/26/12		Wen																							
APPROVED	DATE	10/26/12																																					
CHECKED	DATE	10/26/12																																					
DRAWN	DATE	10/26/12																																					
	Wen																																						