



Chipsmall Limited consists of a professional team with an average of over 10 year of expertise in the distribution of electronic components. Based in Hongkong, we have already established firm and mutual-benefit business relationships with customers from,Europe,America and south Asia,supplying obsolete and hard-to-find components to meet their specific needs.

With the principle of “Quality Parts,Customers Priority,Honest Operation,and Considerate Service”,our business mainly focus on the distribution of electronic components. Line cards we deal with include Microchip,ALPS,ROHM,Xilinx,Pulse,ON,Everlight and Freescale. Main products comprise IC,Modules,Potentiometer,IC Socket,Relay,Connector.Our parts cover such applications as commercial,industrial, and automotives areas.

We are looking forward to setting up business relationship with you and hope to provide you with the best service and solution. Let us make a better world for our industry!



Contact us

Tel: +86-755-8981 8866 Fax: +86-755-8427 6832

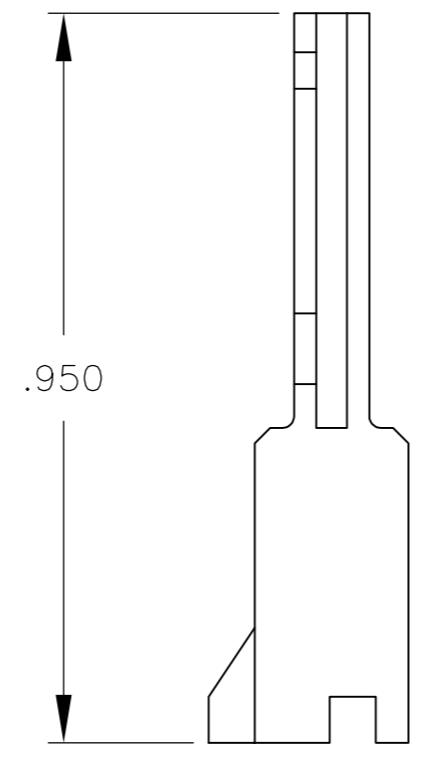
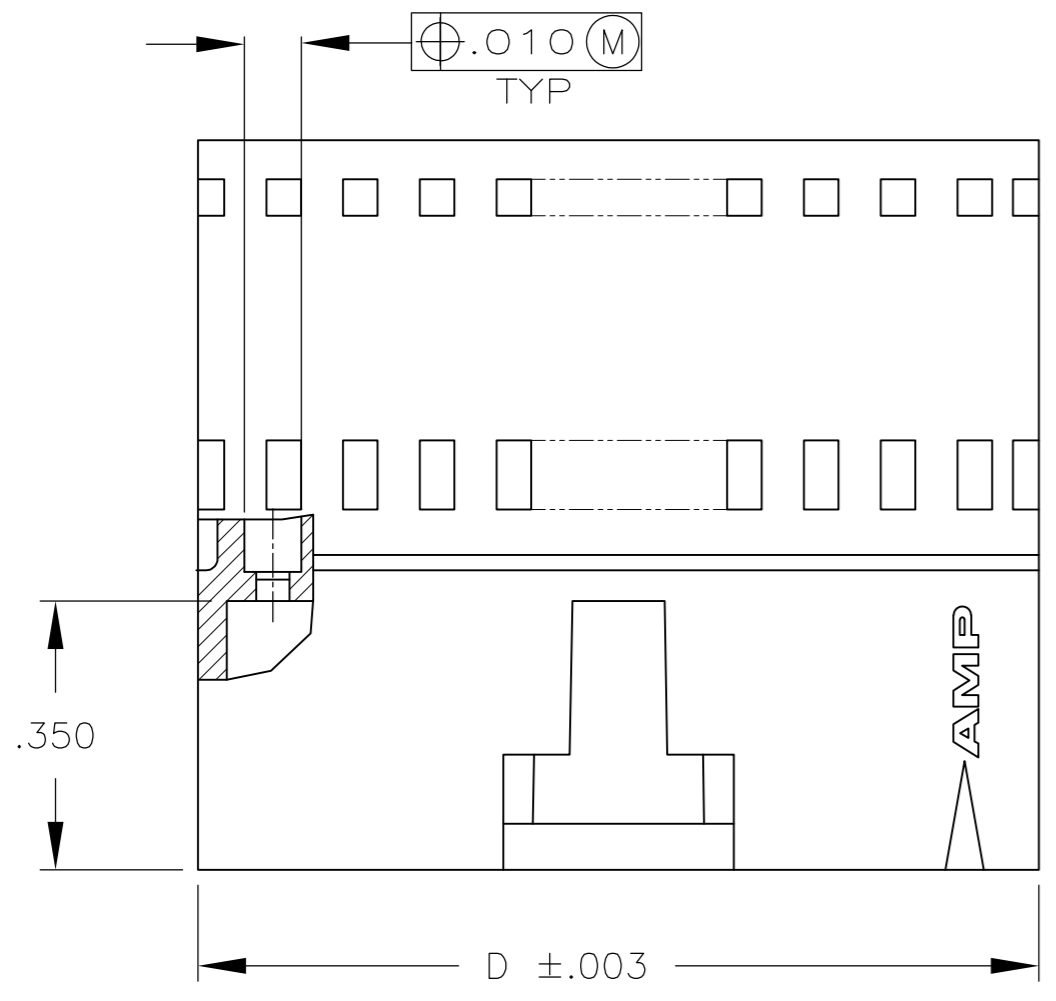
Email & Skype: info@chipsmall.com Web: www.chipsmall.com

Address: A1208, Overseas Decoration Building, #122 Zhenhua RD., Futian, Shenzhen, China

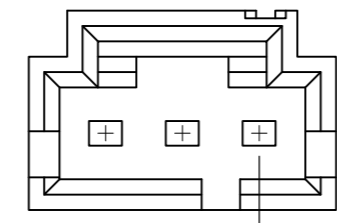
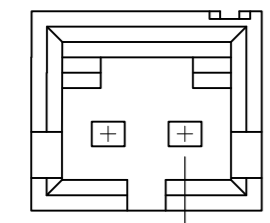
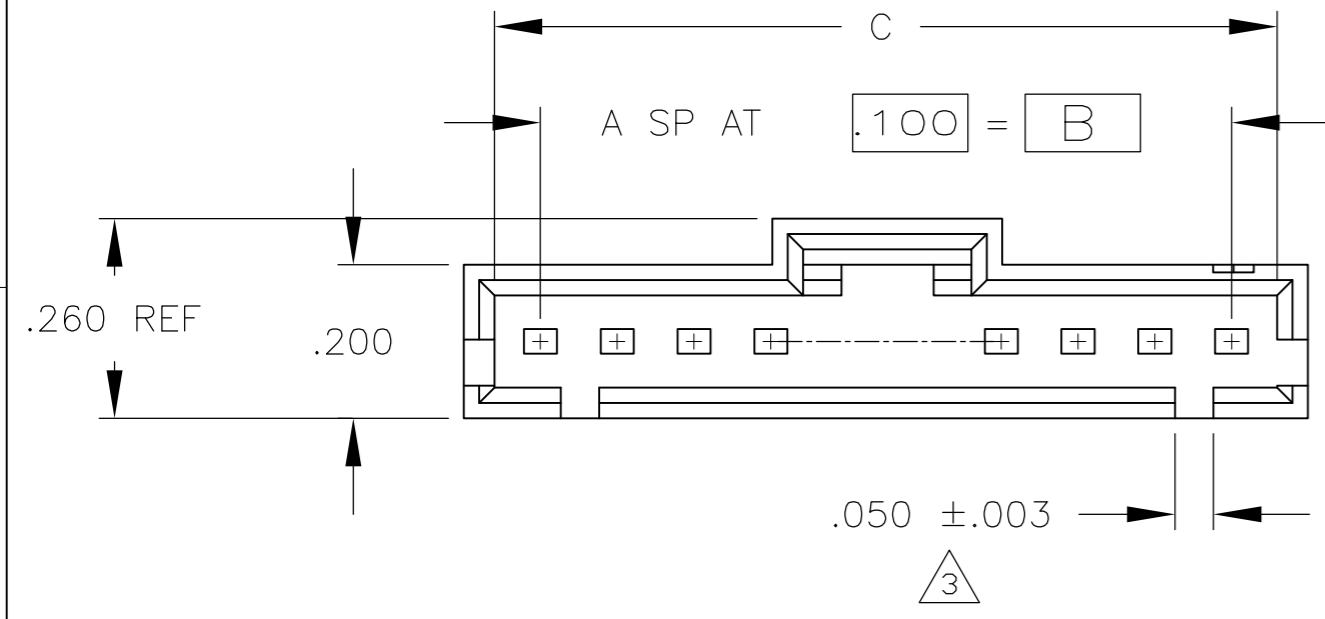


THIS DRAWING IS UNPUBLISHED. RELEASED FOR PUBLICATION
 © COPYRIGHT - By - ALL RIGHTS RESERVED.

LOC		DIST		REVISIONS			
P	LTR	DESCRIPTION		DATE	DWN	APVD	
AD	39	P2		REVISED PER ECO-11-010839	25MAY11	RK	HMR



- ① PBT
- ② LCP
- ③ TOLERANCE IS $+0.007/-0.003$ FOR 6 POSITION AND SMALLER SIZES.



DETAIL FOR -1 ONLY
(2 POSITION)

DETAIL FOR -2 ONLY
(3 POSITION)

②	2.595	2.520	2.400	24	25	2-103653-4
②	2.495	2.420	2.300	23	24	2-103653-3
②	2.395	2.320	2.200	22	23	2-103653-2
②	2.295	2.220	2.100	21	22	2-103653-1
②	2.195	2.120	2.000	20	21	2-103653-0
②	2.095	2.020	1.900	19	20	1-103653-9
②	1.995	1.920	1.800	18	19	1-103653-8
②	1.895	1.820	1.700	17	18	1-103653-7
②	1.795	1.720	1.600	16	17	1-103653-6
②	1.695	1.620	1.500	15	16	1-103653-5
②	1.595	1.520	1.400	14	15	1-103653-4
②	1.495	1.420	1.300	13	14	1-103653-3
②	1.395	1.320	1.200	12	13	1-103653-2
②	1.295	1.220	1.100	11	12	1-103653-1
②	1.195	1.120	1.000	10	11	1-103653-0
②	1.095	1.020	.900	9	10	103653-9
②	.995	.920	.800	8	9	103653-8
②	.895	.820	.700	7	8	103653-7
②	.795	.720	.600	6	7	103653-6
①	.695	.620	.500	5	6	103653-5
①	.595	.520	.400	4	5	103653-4
①	.495	.420	.300	3	4	103653-3
①	.395	.320	.200	2	3	103653-2
①	.295	.220	.100	1	2	103653-1
MATERIAL	D	C	B	A	NO OF POSN	PART NUMBER
COLOR-BLACK						

THIS DRAWING IS A CONTROLLED DOCUMENT.		DWN R BROWN 28JUL00				
DIMENSIONS: INCHES		CHK K WRIGHT 28JUL00				
TOLERANCES UNLESS OTHERWISE SPECIFIED:		APVD K WRIGHT 28JUL00	NAME			
0 PLC ± -		PRODUCT SPEC	PIN HOUSING, AMPMODU			
1 PLC ± -		APPLICATION SPEC	MTE, SINGLE ROW, .100 CL			
2 PLC ± -		108-25034	POLARIZED WITH LATCH			
3 PLC ± .005		114-25026	SIZE	CAGE CODE	DRAWING NO	RESTRICTED TO
4 PLC ± -		WEIGHT	A2	00779	C=103653	-
ANGLES ± -		FINISH	SCALE 4:1			SHEET 1 of 1
SEE TABLE		FINISH	SCALE 4:1			REV P2
		CUSTOMER DRAWING				