



Chipsmall Limited consists of a professional team with an average of over 10 year of expertise in the distribution of electronic components. Based in Hongkong, we have already established firm and mutual-benefit business relationships with customers from,Europe,America and south Asia,supplying obsolete and hard-to-find components to meet their specific needs.

With the principle of “Quality Parts,Customers Priority,Honest Operation,and Considerate Service”,our business mainly focus on the distribution of electronic components. Line cards we deal with include Microchip,ALPS,ROHM,Xilinx,Pulse,ON,Everlight and Freescale. Main products comprise IC,Modules,Potentiometer,IC Socket,Relay,Connector.Our parts cover such applications as commercial,industrial, and automotives areas.

We are looking forward to setting up business relationship with you and hope to provide you with the best service and solution. Let us make a better world for our industry!



Contact us

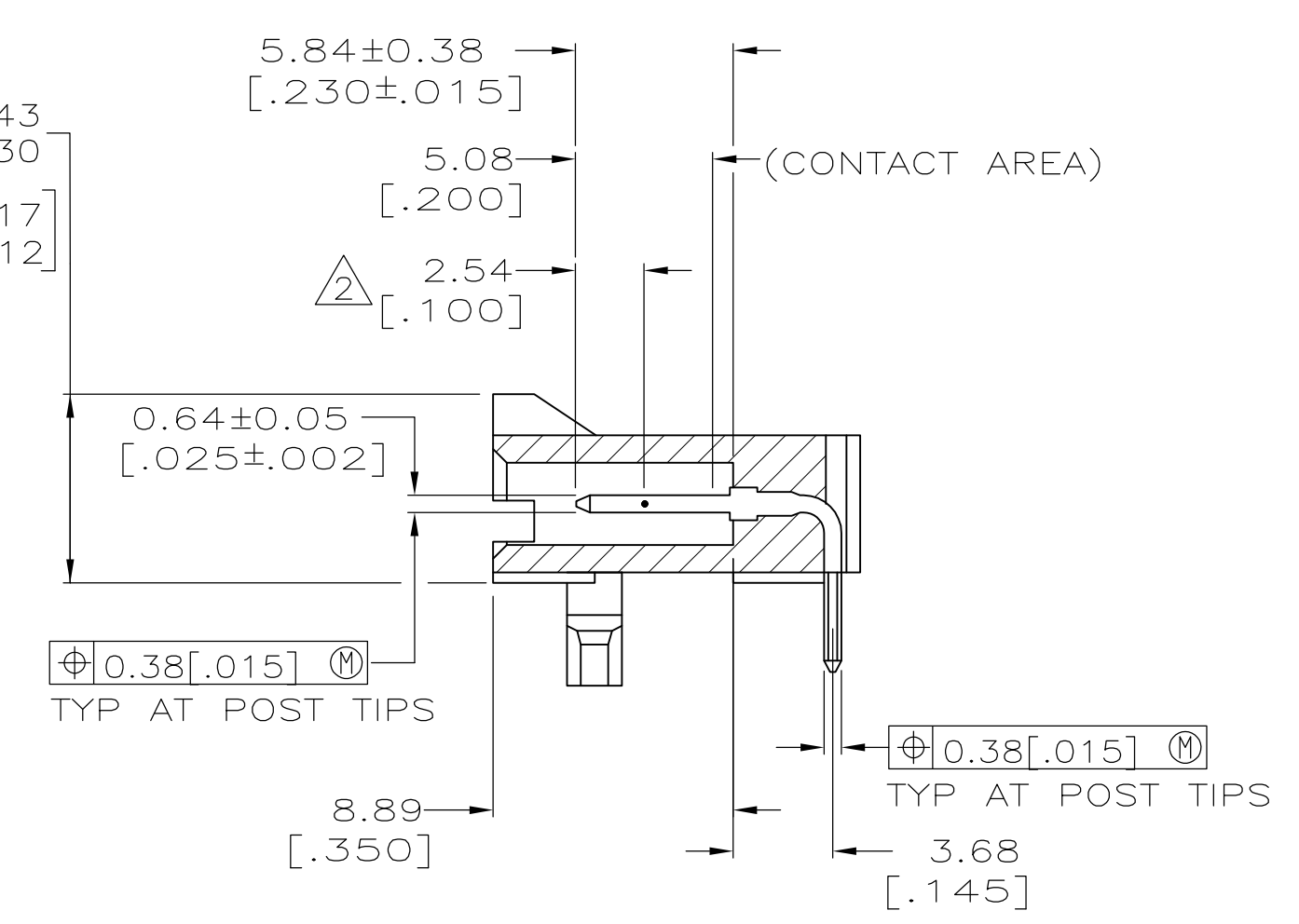
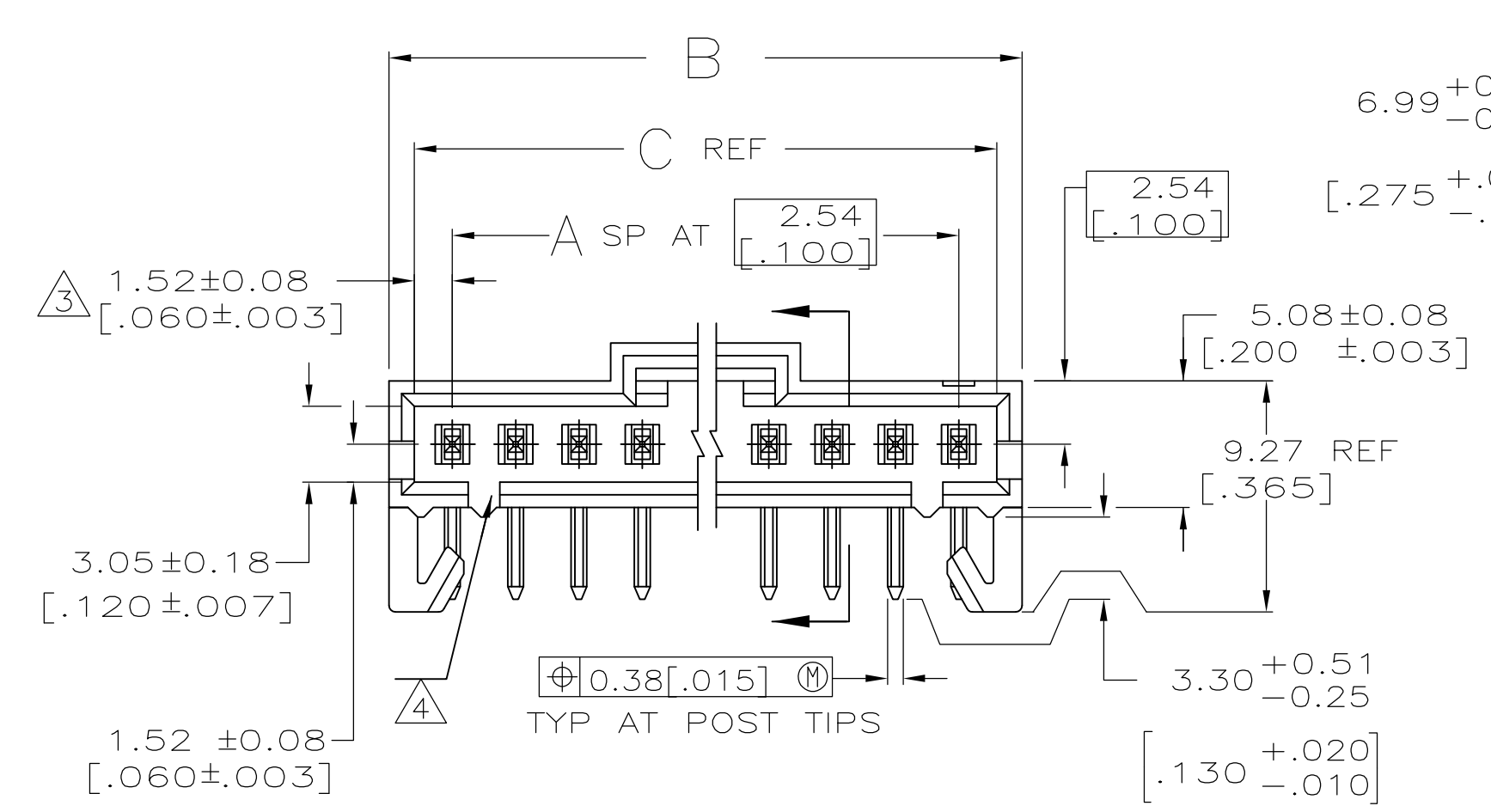
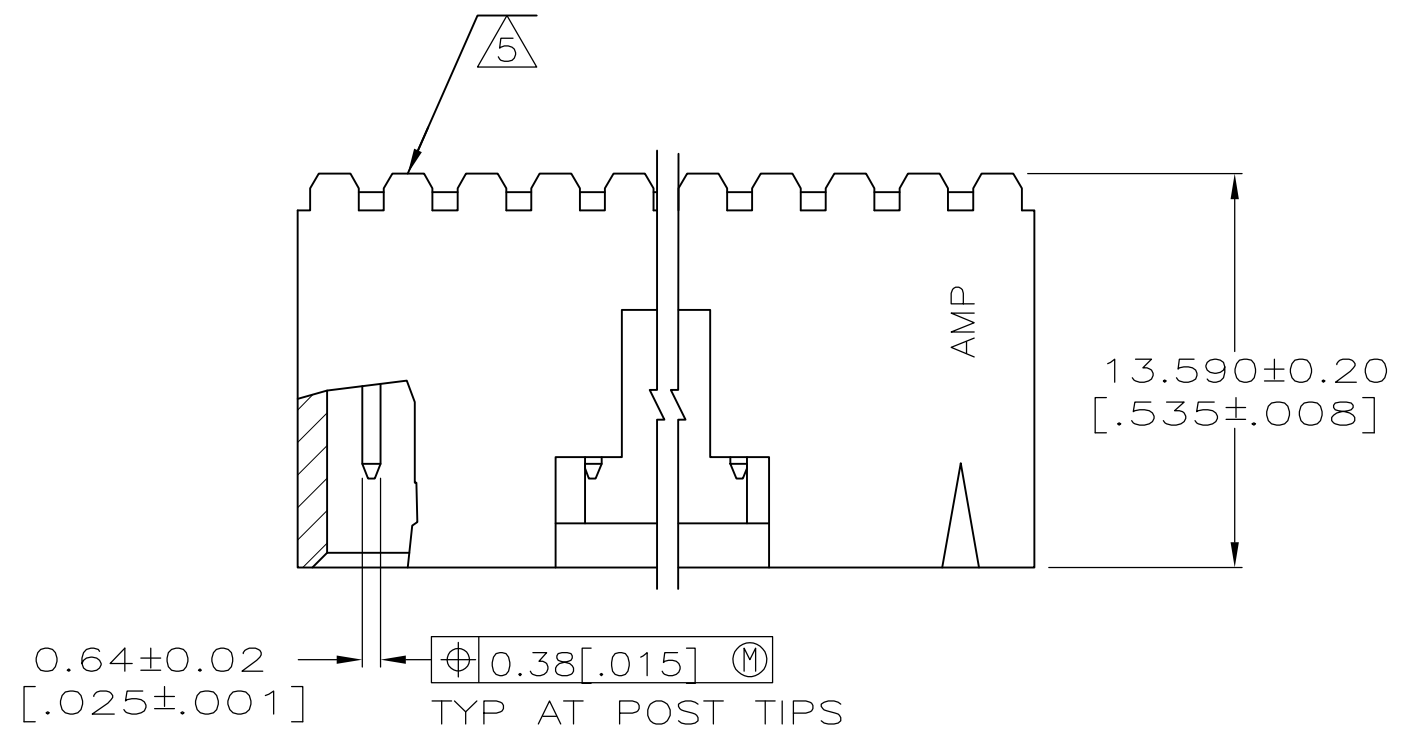
Tel: +86-755-8981 8866 Fax: +86-755-8427 6832

Email & Skype: info@chipsmall.com Web: www.chipsmall.com

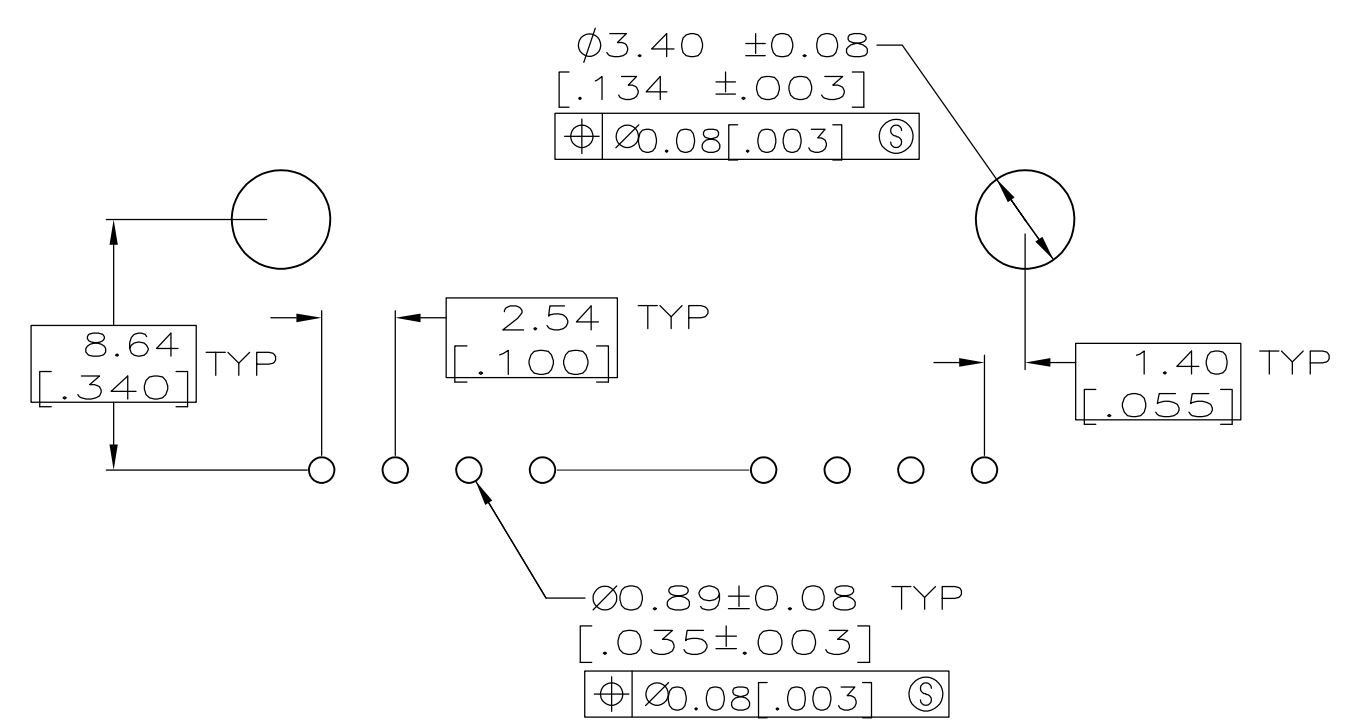
Address: A1208, Overseas Decoration Building, #122 Zhenhua RD., Futian, Shenzhen, China



LOC	DIST	REVISIONS					
AD	00	P	LTR	DESCRIPTION	DATE	DWN	APPD
		T3		REVISED PER ECO-11-004587	11MAR11	RK	HMR



- ⚠ .00038[.000015] GOLD IN THE CONTACT AREA, .00254[.000100] MATTE TIN-LEAD ON REMAINDER OF CONTACT, ALL OVER .00127[.000050] NICKEL.
- ⚠ POINT OF MEASUREMENT FOR PLATING THICKNESS.
- ⚠ THE NOTED DIMENSIONS APPLY AT THE INTERSECTION OF THE POST AND THE HOUSING.
- ⚠ ON ASSEMBLIES WITH FOUR OR MORE POSITIONS, TWO POLARIZATION SLOTS. ON ASSEMBLIES WITH TWO OR THREE POSITIONS, ONE POLARIZATION SLOT.
- ⚠ AMP TRADEMARK MOLDED ON THIS SURFACE.
- 6. FOR USE WITH 1.57±0.20[.062±.008] PRINTED CIRCUIT BOARD.
- ⚠ .00038[.000015] GOLD IN THE CONTACT AREA, .00254[.000100] MATTE TIN ON REMAINDER OF CONTACT, ALL OVER .00127[.000050] NICKEL.
- ⚠ PRELIMINARY PART - NOT RELEASED FOR PRODUCTION.
- ⚠ HIGH TEMPERATURE CONFIGURATION.
- ⚠ OBSOLETE PARTS: OBSOLETE CIS STREAMLINING PER D.RENAUD/D.SINISI



RECOMMENDED HOLE LAYOUT

SEE SHEET 2 FOR PART NUMBER TABLES

THIS DRAWING IS A CONTROLLED DOCUMENT.		DWN S. SHUEY 05MAR91	STE TE Connectivity	
DIMENSIONS: mm [INCHES]		CHK J. GESFORD 05MAR91	NAME HDR ASSY, RTANG, SINGLE ROW	
TOLERANCES UNLESS OTHERWISE SPECIFIED:		APVD J. GESFORD 05MAR91	2.54[.100] C/L 0.641[.025] SQ. POST, WITH PLZN & HOLD DOWNS, AMPMODU MTE	
0 PLC ± -	PRODUCT SPEC	108-25034	SIZE	CAGE CODE
2 PLC ± -	APPLICATION SPEC	114-25026	A1	00779
3 PLC ± 0.13[.005]	WEIGHT	-	SCALE	4:1
4 PLC ± -	CUSTOMER DRAWING		SHEET	1 OF 2
ANGLES ± -	RESTRICTED TO		REV	T3

THIS DRAWING IS UNPUBLISHED. RELEASED FOR PUBLICATION
 © COPYRIGHT - By - ALL RIGHTS RESERVED.

LOC	DIST	REVISIONS				
AD	00	P	LR	DATE	OWN	APVD
		-	-	-	-	-
SEE SHEET 1						

9	7	64.01 [2.520]	66.04 [2.600]	24	25	7-103673-4	OBSOLETE	10
9	7	61.47 [2.420]	63.50 [2.500]	23	24	7-103673-3		
9	7	58.93 [2.320]	60.96 [2.400]	22	23	7-103673-2	OBSOLETE	10
9	7	56.39 [2.220]	58.42 [2.300]	21	22	7-103673-1	OBSOLETE	10
9	7	53.85 [2.120]	55.88 [2.200]	20	21	7-103673-0	OBSOLETE	10
9	7	51.31 [2.020]	53.34 [2.100]	19	20	6-103673-9		
9	7	48.77 [1.920]	50.80 [2.000]	18	19	6-103673-8	OBSOLETE	10
9	7	46.23 [1.820]	48.26 [1.900]	17	18	6-103673-7	OBSOLETE	10
9	7	43.69 [1.720]	45.72 [1.800]	16	17	6-103673-6		
9	7	41.15 [1.620]	43.18 [1.700]	15	16	6-103673-5		
9	7	38.61 [1.520]	40.64 [1.600]	14	15	6-103673-4		
9	7	36.07 [1.420]	38.10 [1.500]	13	14	6-103673-3		
9	7	33.53 [1.320]	35.56 [1.400]	12	13	6-103673-2	OBSOLETE	10
9	7	30.99 [1.220]	33.02 [1.300]	11	12	6-103673-1		
9	7	28.45 [1.120]	30.48 [1.200]	10	11	6-103673-0		
9	7	25.91 [1.020]	27.94 [1.100]	9	10	5-103673-9		
9	7	23.37 [.920]	25.40 [1.000]	8	9	5-103673-8		
9	7	20.83 [.820]	22.86 [.900]	7	8	5-103673-7		
9	7	18.29 [.720]	20.32 [.800]	6	7	5-103673-6		
9	7	15.75 [.620]	17.78 [.700]	5	6	5-103673-5		
9	7	13.21 [.520]	15.24 [.600]	4	5	5-103673-4		
9	7	10.67 [.420]	12.70 [.500]	3	4	5-103673-3		
9	7	8.13 [.320]	10.16 [.400]	2	3	5-103673-2		
9	7	5.59 [.220]	7.62 [.300]	1	2	5-103673-1		
REMARKS	PLATING	C	B	A	NO. OF POSN	PART NO.		

8	7	41.15 [1.620]	43.18 [1.700]	15	16	2-103673-6		
8	7	18.29 [.720]	20.32 [.800]	6	7	2-103673-5		
1	1	64.01 [2.520]	66.04 [2.600]	24	25	2-103673-4		
1	1	61.47 [2.420]	63.50 [2.500]	23	24	2-103673-3		
1	1	58.93 [2.320]	60.96 [2.400]	22	23	2-103673-2	OBSOLETE	10
1	1	56.39 [2.220]	58.42 [2.300]	21	22	2-103673-1		
1	1	53.85 [2.120]	55.88 [2.200]	20	21	2-103673-0	OBSOLETE	10
1	1	51.31 [2.020]	53.34 [2.100]	19	20	1-103673-9		
1	1	48.77 [1.920]	50.80 [2.000]	18	19	1-103673-8	OBSOLETE	10
1	1	46.23 [1.820]	48.26 [1.900]	17	18	1-103673-7		
1	1	43.69 [1.720]	45.72 [1.800]	16	17	1-103673-6		
1	1	41.15 [1.620]	43.18 [1.700]	15	16	1-103673-5		
1	1	38.61 [1.520]	40.64 [1.600]	14	15	1-103673-4		
1	1	36.07 [1.420]	38.10 [1.500]	13	14	1-103673-3		
1	1	33.53 [1.320]	35.56 [1.400]	12	13	1-103673-2	OBSOLETE	10
1	1	30.99 [1.220]	33.02 [1.300]	11	12	1-103673-1		
1	1	28.45 [1.120]	30.48 [1.200]	10	11	1-103673-0		
1	1	25.91 [1.020]	27.94 [1.100]	9	10	103673-9		
1	1	23.37 [.920]	25.40 [1.000]	8	9	103673-8		
1	1	20.83 [.820]	22.86 [.900]	7	8	103673-7		
1	1	18.29 [.720]	20.32 [.800]	6	7	103673-6		
1	1	15.75 [.620]	17.78 [.700]	5	6	103673-5		
1	1	13.21 [.520]	15.24 [.600]	4	5	103673-4		
1	1	10.67 [.420]	12.70 [.500]	3	4	103673-3		
1	1	8.13 [.320]	10.16 [.400]	2	3	103673-2		
1	1	5.59 [.220]	7.62 [.300]	1	2	103673-1		
PLATING	C	B	A	NO. OF POSN	PART NO.			

THIS DRAWING IS A CONTROLLED DOCUMENT.

DIMENSIONS: mm [INCHES]	TOLERANCES UNLESS OTHERWISE SPECIFIED: 0 PLC ± - 1 PLC ± - 2 PLC ± 0.13[.005] 3 PLC ± - 4 PLC ± - ANGLES ± -	FINISH SEE TABLE	OWN S. SHUEY OSMAR91	CHK J. GESFORD OSMAR91	APVD J. GESFORD OSMAR91	NAME HDR ASSY, RTANG, SINGLE ROW 2.54[.100] C/L 0.641[.025] SQ. POST. WITH PLZN & HOLD DOWNS, AMPMODU MTE
MATERIAL			PRODUCT SPEC 108-25034		SIZE A1	RESTRICTED TO
CUSTOMER DRAWING			WEIGHT		CAGE CODE 114-25026	DRAWING NO. 103673
SCALE 4:1			SHEET 2 OF 2		REV T3	