



Chipsmall Limited consists of a professional team with an average of over 10 year of expertise in the distribution of electronic components. Based in Hongkong, we have already established firm and mutual-benefit business relationships with customers from,Europe,America and south Asia,supplying obsolete and hard-to-find components to meet their specific needs.

With the principle of “Quality Parts,Customers Priority,Honest Operation,and Considerate Service”,our business mainly focus on the distribution of electronic components. Line cards we deal with include Microchip,ALPS,ROHM,Xilinx,Pulse,ON,Everlight and Freescale. Main products comprise IC,Modules,Potentiometer,IC Socket,Relay,Connector.Our parts cover such applications as commercial,industrial, and automotives areas.

We are looking forward to setting up business relationship with you and hope to provide you with the best service and solution. Let us make a better world for our industry!



Contact us

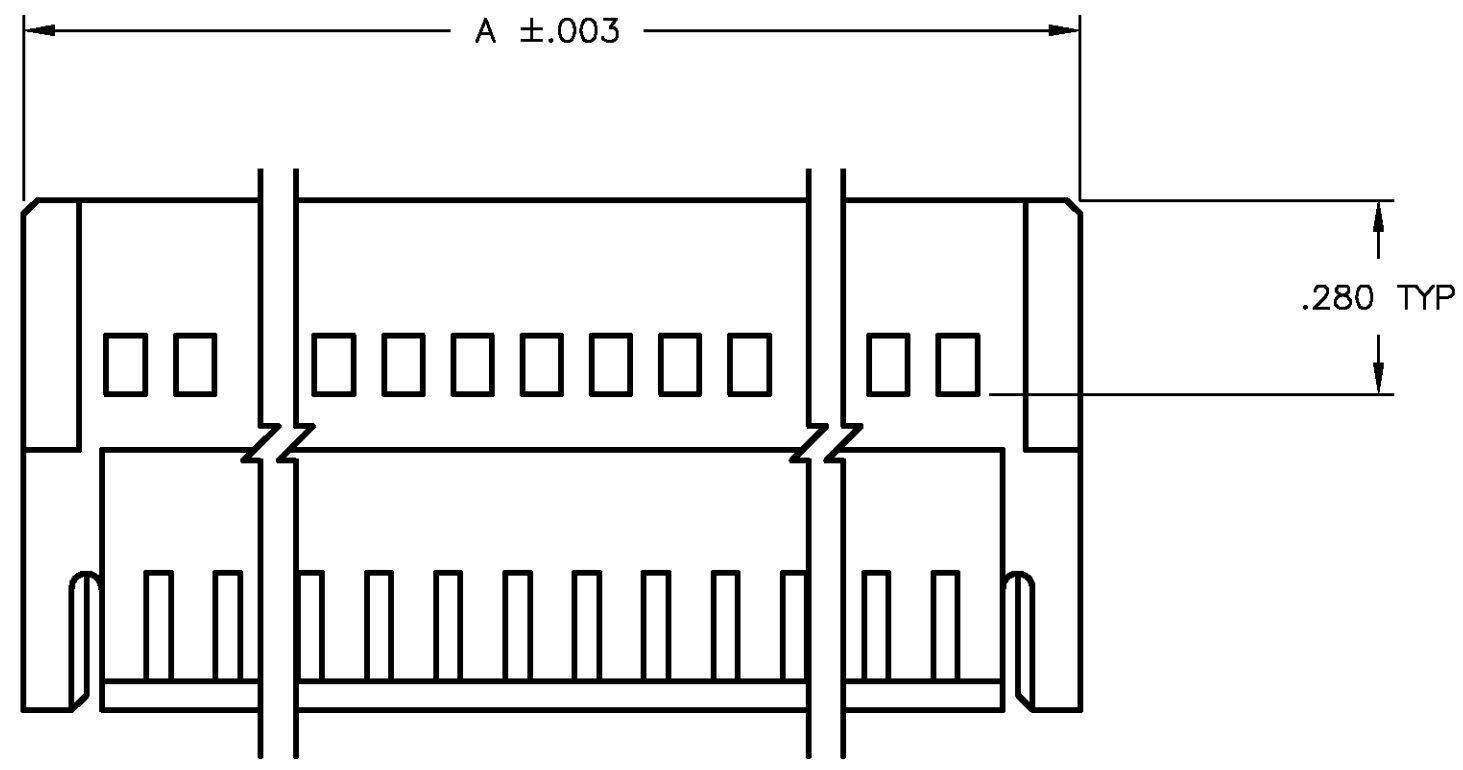
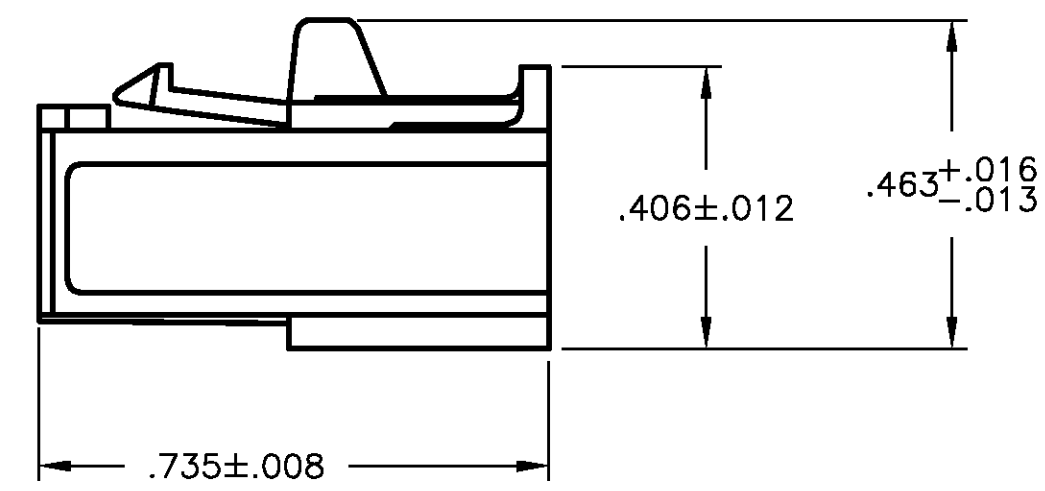
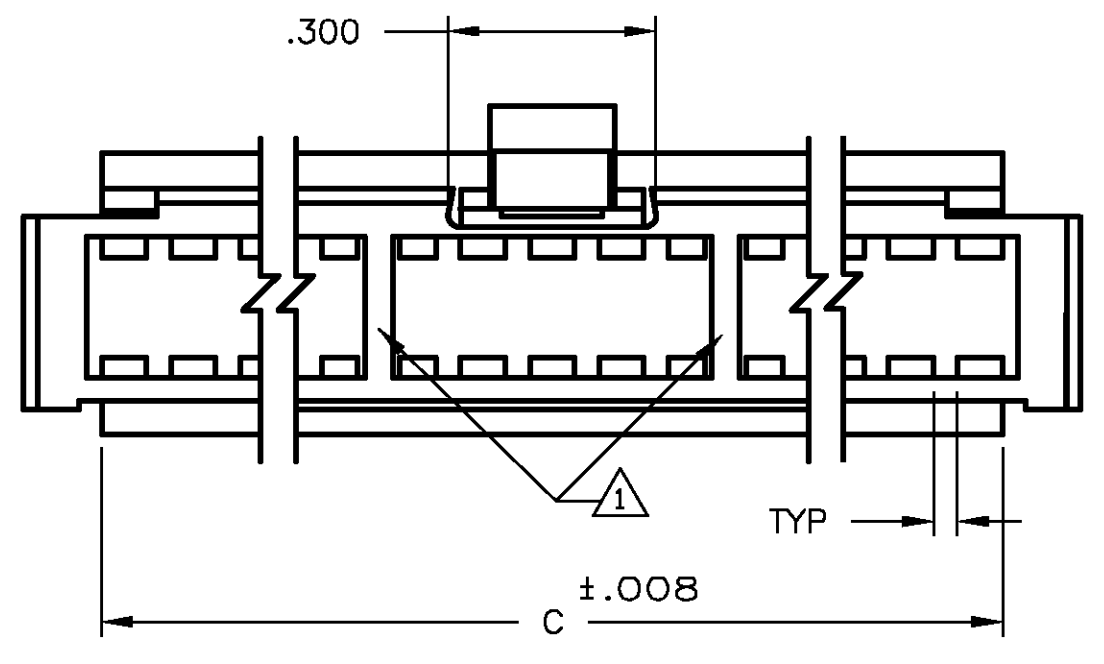
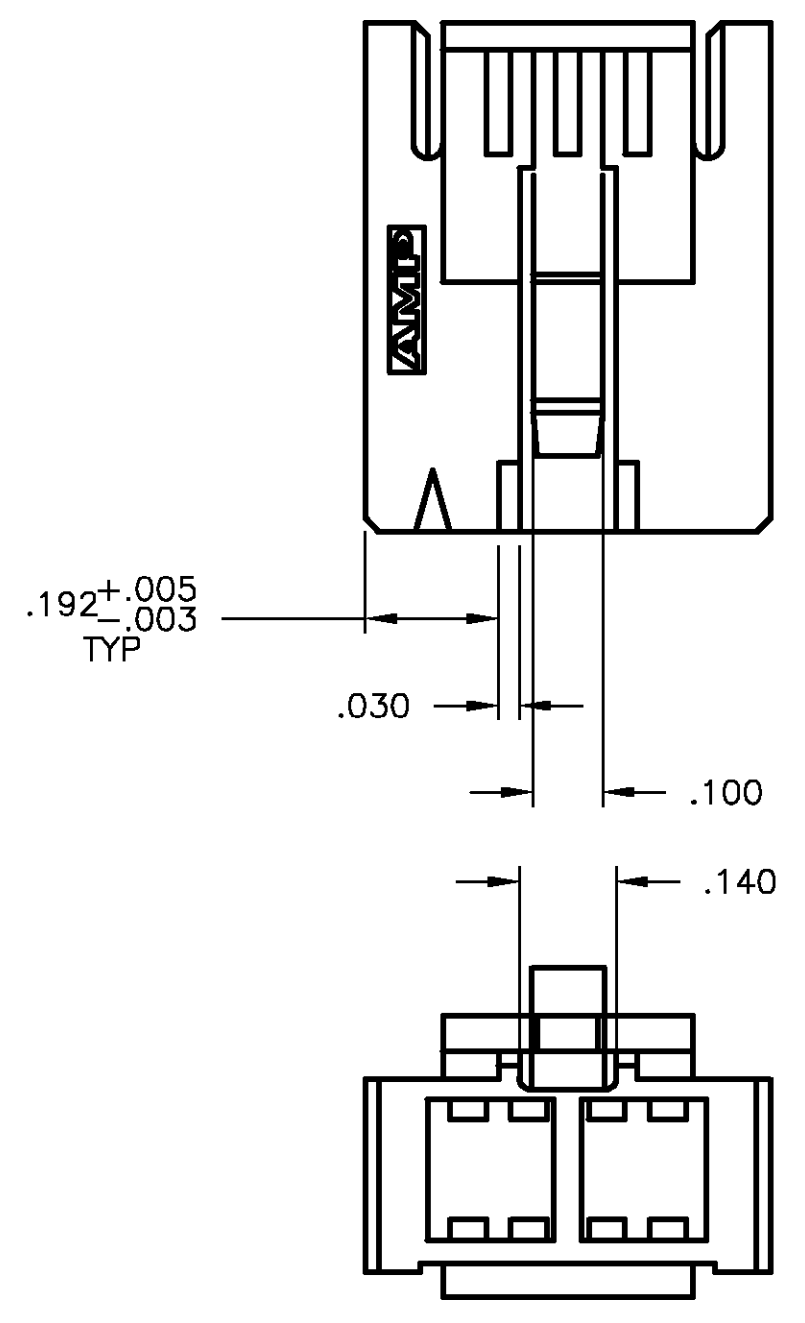
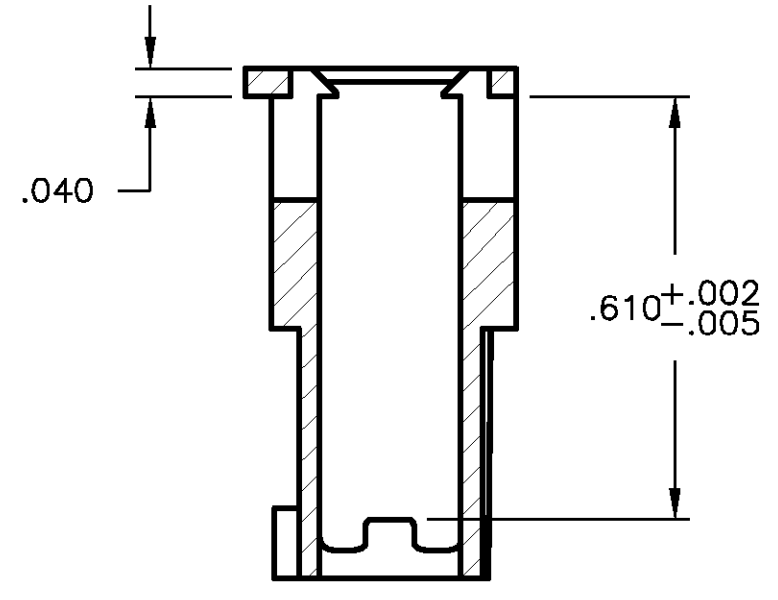
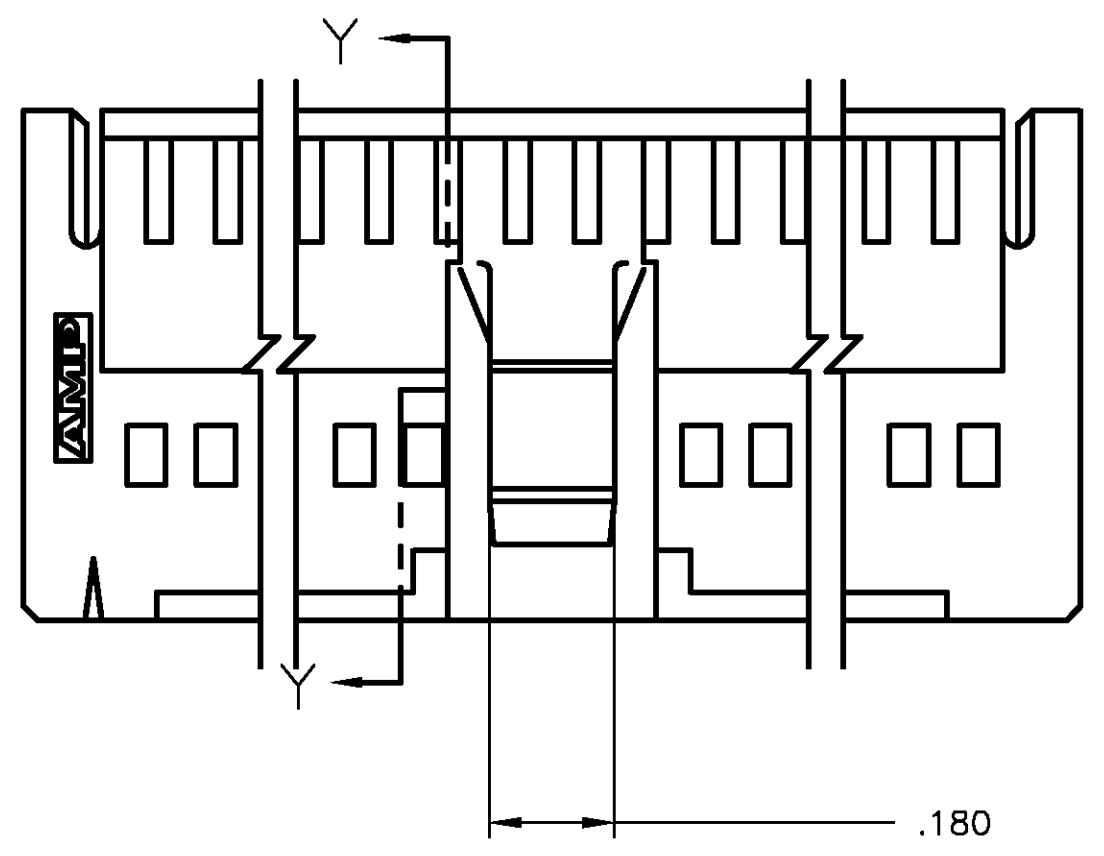
Tel: +86-755-8981 8866 Fax: +86-755-8427 6832

Email & Skype: info@chipsmall.com Web: www.chipsmall.com

Address: A1208, Overseas Decoration Building, #122 Zhenhua RD., Futian, Shenzhen, China



LOC		REV		REVISIONS			
AD	39	P	LR	DESCRIPTION	DATE	DM	APD
M	REV PER	OG3C-0373-02			11OCT02	RB	JG



- 1 SEE TABLE FOR RIB QTY
- 2 THIS COUPLING SHROUD IS TO BE USED WITH AMPMODU MTE® RECEPTACLE ASSEMBLIES WITH GUIDE RIBS. THE NUMBER OF POSITIONS LISTED EQUALS THE TOTAL NUMBER OF POSITIONS WHICH CAN BE CONTAINED WITHIN THE COUPLING SHROUD
- 3 FLAME RETARDANT THERMOPLASTIC, COLOR-BLACK.
- 4 PRELIMINARY PART - NOT RELEASED FOR PRODUCTION.

QTY	C	A	NO OF POSN	PART NUMBER
1			6	1-103681-7
2			50	1-103681-6
2			40	1-103681-5
2			34	1-103681-4
2			32	1-103681-3
2			30	1-103681-2
2			28	1-103681-1
2			26	1-103681-0
2			24	103681-9
2			22	103681-8
2			20	103681-7
2			18	103681-6
1			16	103681-5
1			14	103681-4
1			12	103681-3
1			10	103681-2
1			8	103681-1

THIS DRAWING IS A CONTROLLED DOCUMENT. DWN H. MOLI 10-7-87
 CHK P. de JONG 10-7-87
 AMP Tyco Electronics Corporation Harrisburg, PA 17105

DIMENSIONS: INCHES	TOLERANCES UNLESS OTHERWISE SPECIFIED:	PRODUCT SPEC: 108-25034	NAME: COUPLING SHROUD, AMPMODU MTE, .100X.100 C/L, DOUBLE ROW
0 PLG ± -	1 PLG ± -	APPLICATION SPEC: 114-25026	SIZE: A1
2 PLG ± .005	3 PLG ± -	WEIGHT: -	CAGE CODE: 00779
4 PLG ± -	ANGLES ± -	MATERIAL: 3	DRAWING NO: 103681
FINISH: -		SCALE: 4:1	

CUSTOMER DRAWING SHEET 1 OF 1 REV M