



Chipsmall Limited consists of a professional team with an average of over 10 year of expertise in the distribution of electronic components. Based in Hongkong, we have already established firm and mutual-benefit business relationships with customers from,Europe,America and south Asia,supplying obsolete and hard-to-find components to meet their specific needs.

With the principle of "Quality Parts,Customers Priority,Honest Operation,and Considerate Service",our business mainly focus on the distribution of electronic components. Line cards we deal with include Microchip,ALPS,ROHM,Xilinx,Pulse,ON,Everlight and Freescale. Main products comprise IC,Modules,Potentiometer,IC Socket,Relay,Connector.Our parts cover such applications as commercial,industrial, and automotives areas.

We are looking forward to setting up business relationship with you and hope to provide you with the best service and solution. Let us make a better world for our industry!



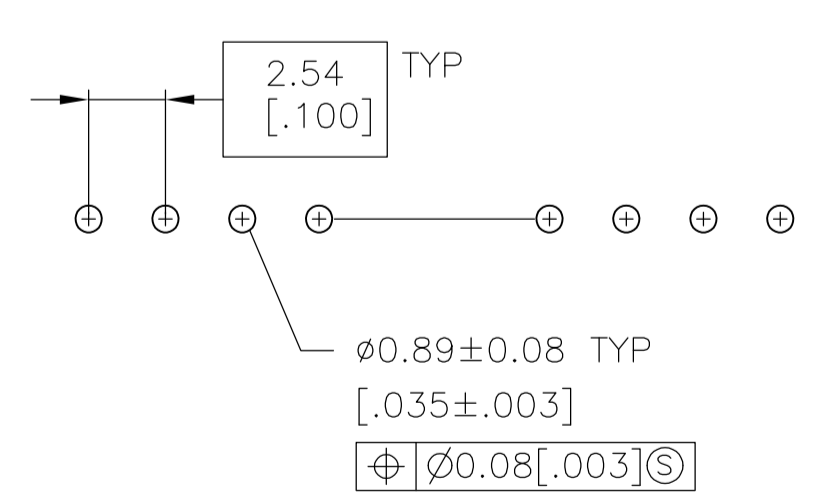
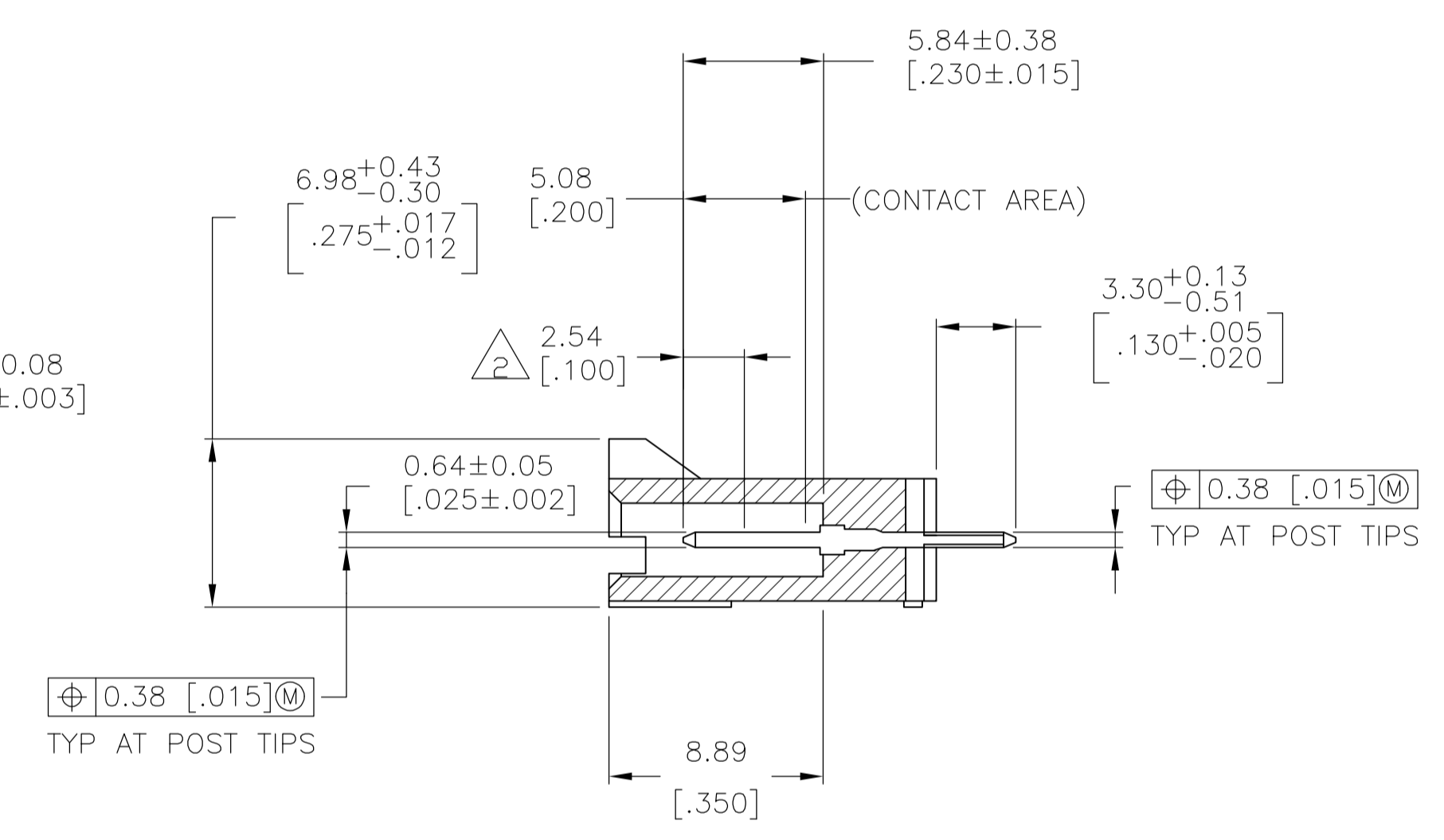
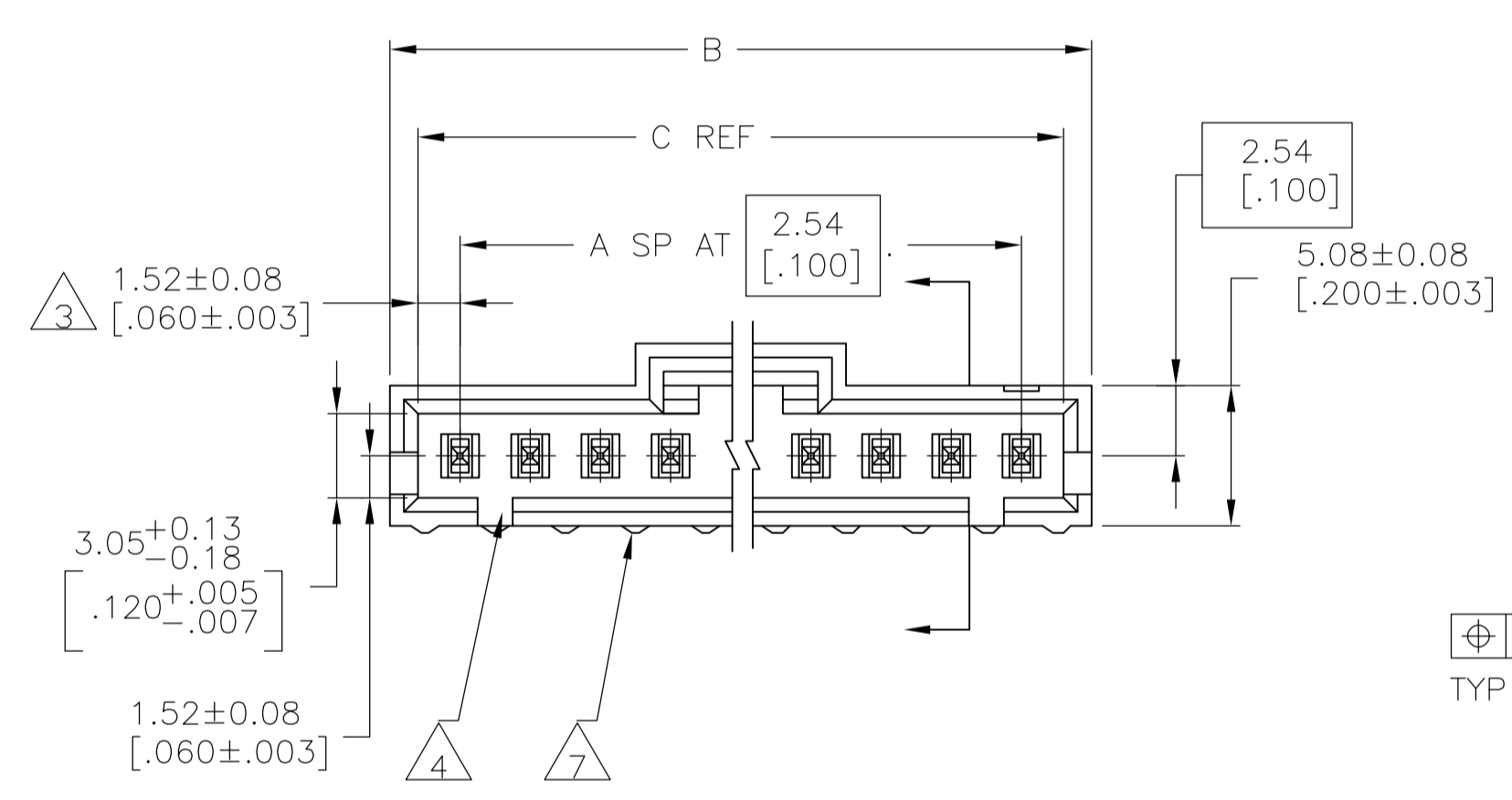
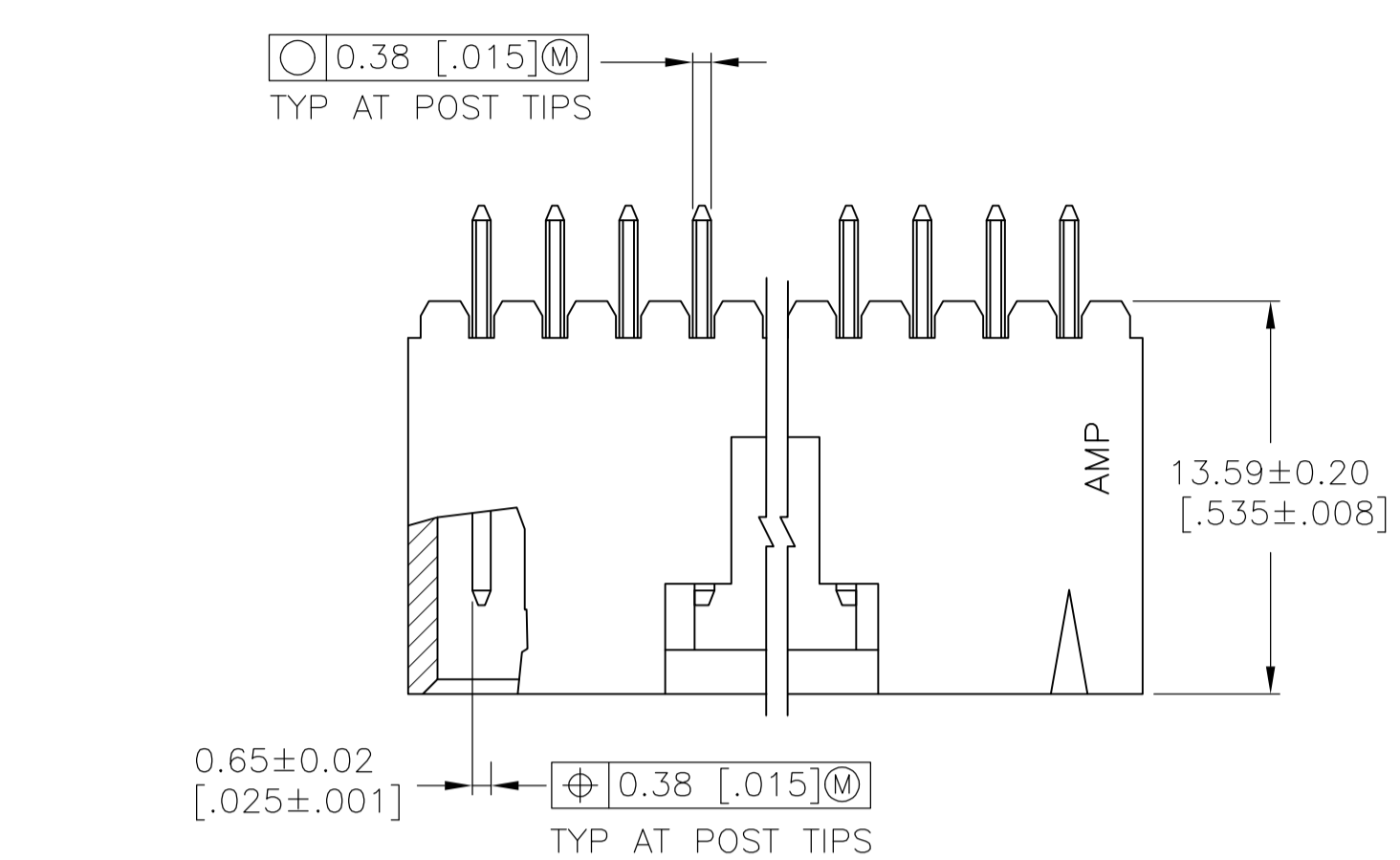
Contact us

Tel: +86-755-8981 8866 Fax: +86-755-8427 6832

Email & Skype: info@chipsmall.com Web: www.chipsmall.com

Address: A1208, Overseas Decoration Building, #122 Zhenhua RD., Futian, Shenzhen, China





RECOMMENDED HOLE LAYOUT

- 1 .00076[.000030] GOLD IN THE CONTACT AREA, .00254[.000100] MATTE TIN-LEAD ON REMAINDER OF CONTACT, ALL OVER .00127[.000050] NICKEL.
- 2 POINT OF MEASUREMENT FOR PLATING THICKNESS.
- 3 THE NOTED DIMENSIONS APPLY AT THE INTERSECTION OF THE POST AND THE HOUSING.
- 4 ON ASSEMBLIES WITH FOUR OR MORE POSITIONS, TWO POLARIZATION SLOTS. ON ASSEMBLIES WITH TWO OR THREE POSITIONS, ONE POLARIZATION SLOT.
- 5 .00076[.000030] GOLD IN THE CONTACT AREA, .00254[.000100] MATTE TIN ON REMAINDER OF CONTACT, ALL OVER .00127[.000050] NICKEL.
- 6 HIGH TEMPERATURE CONFIGURATION
- 7 STANDOFFS NOT PRESENT ON UNDERSIDE OF ASSEMBLY
- 8 OBSOLETE PARTS: OBSOLETE CIS STREAMLINING PER D.RENAUD/D.SINISI

REMARKS	PLATING	C	B	A	NO. OF POSN	PART NO.
		64.01 [2.520]	66.04 [2.600]	24	25	2-103735-4
		61.47 [2.420]	63.50 [2.500]	23	24	-2-103735-3
8 OBSOLETE		58.93 [2.320]	60.96 [2.400]	22	23	-2-103735-2
8 OBSOLETE		56.39 [2.220]	58.42 [2.300]	21	22	-2-103735-1
8 OBSOLETE		53.85 [2.120]	55.88 [2.200]	20	21	-2-103735-0
		51.31 [2.020]	53.34 [2.100]	19	20	1-103735-9
8 OBSOLETE		48.77 [1.920]	50.80 [2.000]	18	19	-1-103735-8
		46.23 [1.820]	48.26 [1.900]	17	18	1-103735-7
		43.69 [1.720]	45.72 [1.800]	16	17	1-103735-6
		41.15 [1.620]	43.18 [1.700]	15	16	1-103735-5
		38.61 [1.520]	40.64 [1.600]	14	15	1-103735-4
		36.07 [1.420]	38.10 [1.500]	13	14	1-103735-3
		33.53 [1.320]	35.56 [1.400]	12	13	1-103735-2
		30.99 [1.220]	33.02 [1.300]	11	12	1-103735-1
		28.45 [1.120]	30.48 [1.200]	10	11	1-103735-0
		25.91 [1.020]	27.94 [1.100]	9	10	103735-9
		23.37 [0.920]	25.40 [1.000]	8	9	103735-8
		20.83 [0.820]	22.86 [0.900]	7	8	103735-7
		18.29 [0.720]	20.32 [0.800]	6	7	103735-6
		15.75 [0.620]	17.78 [0.700]	5	6	103735-5
		13.21 [0.520]	15.24 [0.600]	4	5	103735-4
		10.67 [0.420]	12.70 [0.500]	3	4	103735-3
		8.13 [0.320]	10.16 [0.400]	2	3	103735-2
		5.59 [0.220]	7.62 [0.300]	1	2	103735-1

THIS DRAWING IS A CONTROLLED DOCUMENT.

DIMENSIONS: mm [INCHES]
 TOLERANCES UNLESS OTHERWISE SPECIFIED:
 0 PLC ± -
 1 PLC ± -
 2 PLC ± 0.13[.005]
 3 PLC ± -
 4 PLC ± -
 ANGLES ± -

MATERIAL: HOUSING: FLAME RETARDANT THERMOPLASTIC GOLD-PLATE CONTACTS: BRASS
 FINISH: SEE TABLE

THIS DRAWING IS A CONTROLLED DOCUMENT.
 DWG: S. SHUEY 3-5-91
 CHK: L. CASTAGNA 3-27-91
 APVD: L. CASTAGNA 3-27-91
 NAME: L. CASTAGNA
 PRODUCT SPEC: -
 APPLICATION SPEC: -
 WEIGHT: -
 CUSTOMER DRAWING


STE TE Connectivity
 HDR ASSY, VERT, SINGLE ROW
 2.54[.100] @, 0.64[.025] SQ POST,
 WITH PLZN & LATCHING, AMPMODU MTE

SIZE: A1
 CAGE CODE: 00779
 DRAWING NO: 103735
 RESTRICTED TO: -
 SCALE: 4:1 SHEET 1 OF 2 REV: U2

LOC	DIST	REV	DATE	BY	APPV
-	-	1	-	-	-
-	-	2	-	-	-

REV	DESCRIPTION	DATE	BY	APPV	NO. OF POSN	PART NO.
8	OBSOLETE	64.01 [2.520]	66.04 [2.600]	24	25	7-103735-4
8	OBSOLETE	61.47 [2.420]	63.50 [2.500]	23	24	7-103735-3
8	OBSOLETE	58.93 [2.320]	60.96 [2.400]	22	23	7-103735-2
8	OBSOLETE	56.39 [2.220]	58.42 [2.300]	21	22	7-103735-1
8	OBSOLETE	53.85 [2.120]	55.88 [2.200]	20	21	7-103735-0
		51.31 [2.020]	53.34 [2.100]	19	20	6-103735-9
8	OBSOLETE	48.77 [1.920]	50.80 [2.000]	18	19	6-103735-8
8	OBSOLETE	46.23 [1.820]	48.26 [1.900]	17	18	6-103735-7
		43.69 [1.720]	45.72 [1.800]	16	17	6-103735-6
		41.15 [1.620]	43.18 [1.700]	15	16	6-103735-5
		38.61 [1.520]	40.64 [1.600]	14	15	6-103735-4
		36.07 [1.420]	38.10 [1.500]	13	14	6-103735-3
8	OBSOLETE	33.53 [1.320]	35.56 [1.400]	12	13	6-103735-2
		30.99 [1.220]	33.02 [1.300]	11	12	6-103735-1
		28.45 [1.120]	30.48 [1.200]	10	11	6-103735-0
		25.91 [1.020]	27.94 [1.100]	9	10	5-103735-9
		23.37 [.920]	25.40 [1.000]	8	9	5-103735-8
		20.83 [.820]	22.86 [.900]	7	8	5-103735-7
		18.29 [.720]	20.32 [.800]	6	7	5-103735-6
		15.75 [.620]	17.78 [.700]	5	6	5-103735-5
		13.21 [.520]	15.24 [.600]	4	5	5-103735-4
		10.67 [.420]	12.70 [.500]	3	4	5-103735-3
		8.13 [.320]	10.16 [.400]	2	3	5-103735-2
		5.59 [.220]	7.62 [.300]	1	2	5-103735-1
	REMARKS	PLATING	C	B	A	

THIS DRAWING IS A CONTROLLED DOCUMENT.

DESIGNER: S. SHUEY	DATE: 3-5-91	 TE Connectivity
CHECKED: L. CASTAGNA	DATE: 3-27-91	
APPROVED: L. CASTAGNA	DATE: 3-27-91	NAME: HDR ASSY, VERT, SINGLE ROW
DIMENSIONS: mm [INCHES]		PRODUCT SPEC: 2.54[.100] @ 0.64[.025] SQ POST.
TOLERANCES UNLESS OTHERWISE SPECIFIED:		WITH PLZN & LATCHING, AMPMODU MTE
0. PLC ± -	1. PLC ± -	APPLICATION SPEC: -
2. PLC ± -	3. PLC ± -	SIZE: A1
4. PLC ± -	ANGLES ± -	WEIGHT: -
MATERIAL: HOUSING: THERMOPLASTIC CONTACTS: BRASS		FINISH: SEE TABLE
CUSTOMER DRAWING		SCALE: 4:1

4805 (3/11)