



Chipsmall Limited consists of a professional team with an average of over 10 year of expertise in the distribution of electronic components. Based in Hongkong, we have already established firm and mutual-benefit business relationships with customers from,Europe,America and south Asia,supplying obsolete and hard-to-find components to meet their specific needs.

With the principle of “Quality Parts,Customers Priority,Honest Operation,and Considerate Service”,our business mainly focus on the distribution of electronic components. Line cards we deal with include Microchip,ALPS,ROHM,Xilinx,Pulse,ON,Everlight and Freescale. Main products comprise IC,Modules,Potentiometer,IC Socket,Relay,Connector.Our parts cover such applications as commercial,industrial, and automotives areas.

We are looking forward to setting up business relationship with you and hope to provide you with the best service and solution. Let us make a better world for our industry!



Contact us

Tel: +86-755-8981 8866 Fax: +86-755-8427 6832

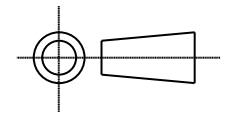
Email & Skype: info@chipsmall.com Web: www.chipsmall.com

Address: A1208, Overseas Decoration Building, #122 Zhenhua RD., Futian, Shenzhen, China



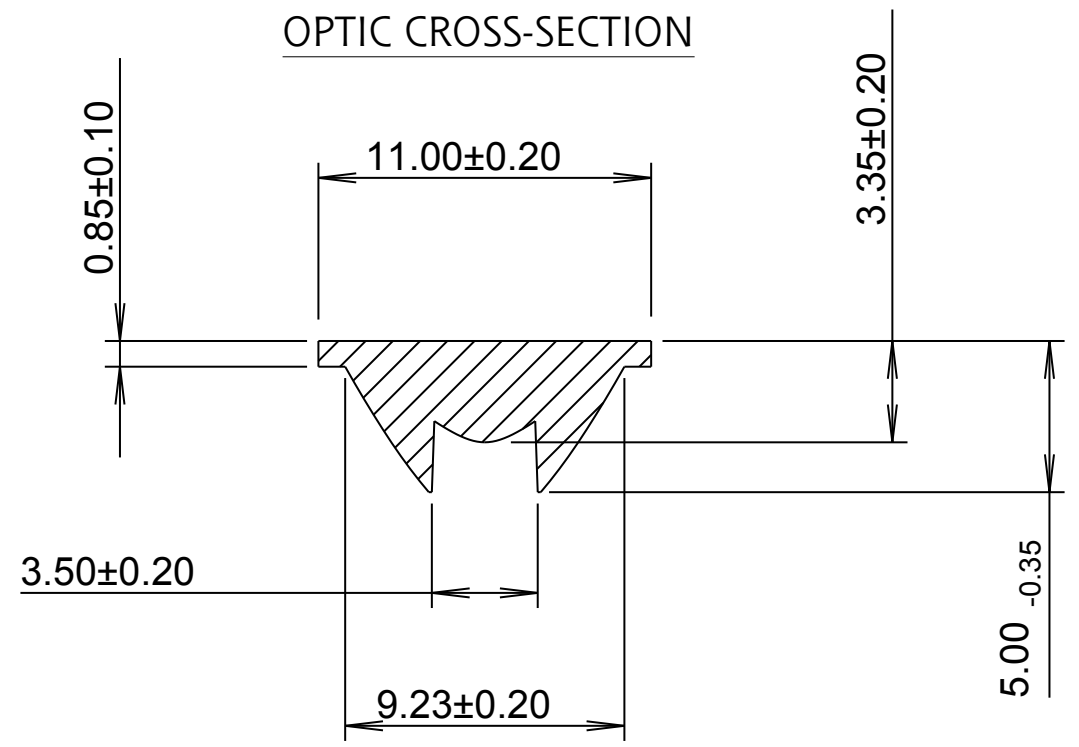
ISS.	DATE	E.C.N.	DESCRIPTION
3	26-June-09	06/09/1247	PART NO. BOX ADDED

© 2008 CARCLO
ALL DIMENSIONS IN mm



CARCLO TECHNICAL PLASTICS (SLOUGH)
111 BUCKINGHAM AVE, SLOUGH
SL1 4PF, ENGLAND
TEL: +44 1753 575011 FAX: +44 1753 811359
e-mail: design@carclo-optics.com}

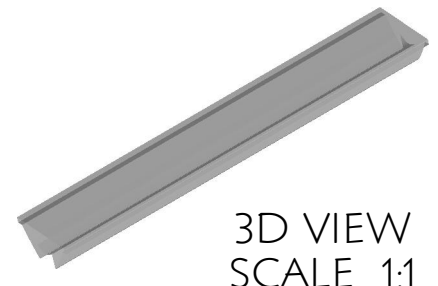
CUSTOMER DRAWING
OPTIC CROSS-SECTION



GENERAL TOLERANCES (UNLESS STATED)

LINEAR	ANGULAR
X +/- 0.25	X +/- 1°
X.X +/- 0.1	X.X +/- 0.5°
X.XX +/- 0.05	X.XX +/- 0.1°

CUSTOMER	CARCLO	
TITLE	CONTINUOUS STRIP OPTIC 11 MM WIDE	
DRAWN	DATE	13-Nov-07
CHK'D	DATE	
APP'D	DATE	



3D VIEW
SCALE 1:1

MATERIAL: POLYCARBONATE

PART NO.	LENGTH (mm)
10397	1200
10398	300

SCALE	CARCLO PART No.	
4:1	SEE TABLE	
SIZE	CARCLO DRG. No.	SHEET
A4	60547	1 OF 1