



Chipsmall Limited consists of a professional team with an average of over 10 year of expertise in the distribution of electronic components. Based in Hongkong, we have already established firm and mutual-benefit business relationships with customers from,Europe,America and south Asia,supplying obsolete and hard-to-find components to meet their specific needs.

With the principle of “Quality Parts,Customers Priority,Honest Operation,and Considerate Service”,our business mainly focus on the distribution of electronic components. Line cards we deal with include Microchip,ALPS,ROHM,Xilinx,Pulse,ON,Everlight and Freescale. Main products comprise IC,Modules,Potentiometer,IC Socket,Relay,Connector.Our parts cover such applications as commercial,industrial, and automotives areas.

We are looking forward to setting up business relationship with you and hope to provide you with the best service and solution. Let us make a better world for our industry!



Contact us

Tel: +86-755-8981 8866 Fax: +86-755-8427 6832

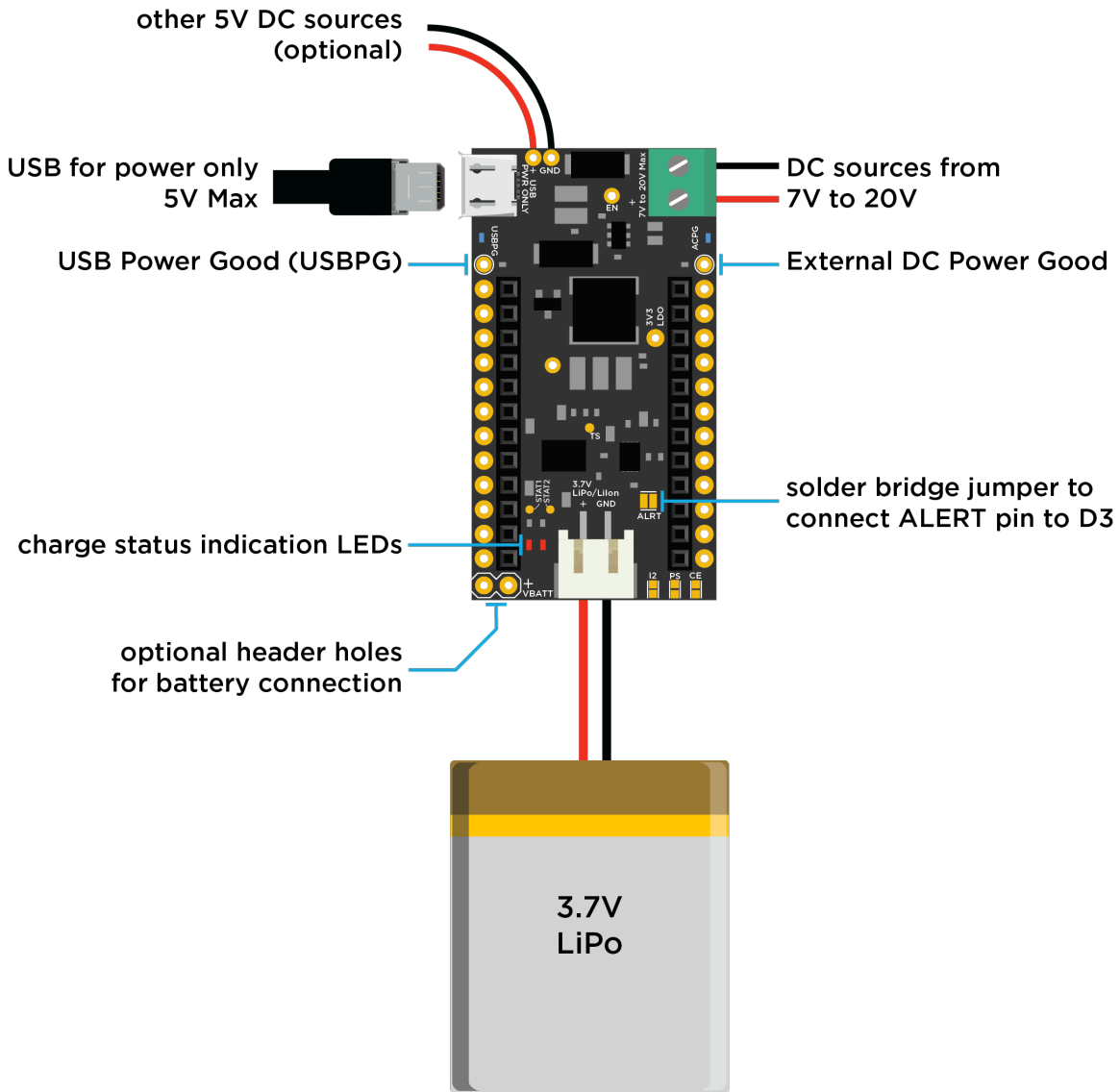
Email & Skype: info@chipsmall.com Web: www.chipsmall.com

Address: A1208, Overseas Decoration Building, #122 Zhenhua RD., Futian, Shenzhen, China



POWER SHIELD

The Power Shield, as the name implies, allows the Particle device to be powered from different types of power sources. The shield has an intelligent battery charger and power management unit along with a wide input voltage regulator and an I2C based fuel-gauge. You can power a Particle device with either a USB plug or a DC supply of anywhere from 7 to 20VDC and charge a 3.7V LiPo battery all at the same time.



SPECIFICATIONS

- Operating voltage: USB or External DC of 7 to 20V
- Current consumption: 500mA max (USB) & 1.2A max (other DC sources)
- Dimensions: 1" x 1.84"