



Chipsmall Limited consists of a professional team with an average of over 10 year of expertise in the distribution of electronic components. Based in Hongkong, we have already established firm and mutual-benefit business relationships with customers from,Europe,America and south Asia,supplying obsolete and hard-to-find components to meet their specific needs.

With the principle of "Quality Parts,Customers Priority,Honest Operation,and Considerate Service",our business mainly focus on the distribution of electronic components. Line cards we deal with include Microchip,ALPS,ROHM,Xilinx,Pulse,ON,Everlight and Freescale. Main products comprise IC,Modules,Potentiometer,IC Socket,Relay,Connector.Our parts cover such applications as commercial,industrial, and automotives areas.

We are looking forward to setting up business relationship with you and hope to provide you with the best service and solution. Let us make a better world for our industry!



Contact us

Tel: +86-755-8981 8866 Fax: +86-755-8427 6832

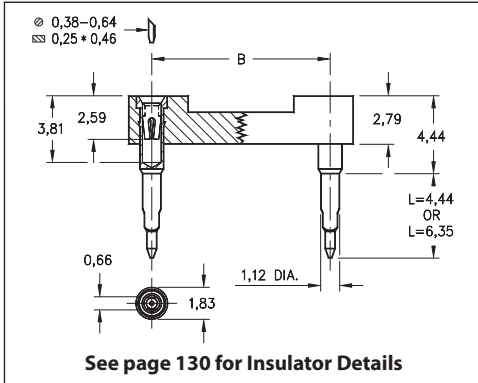
Email & Skype: info@chipsmall.com Web: www.chipsmall.com

Address: A1208, Overseas Decoration Building, #122 Zhenhua RD., Futian, Shenzhen, China

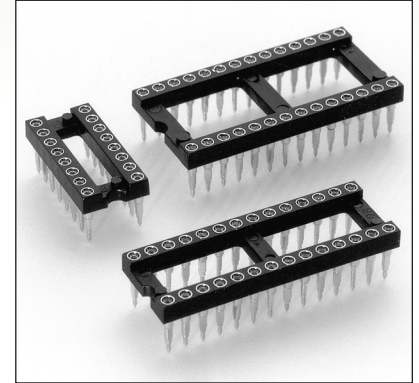


DUAL-IN-LINE SOCKETS

SERIES 104 • SOLDERLESS PRESS-FIT • OPEN FRAME



- Designed for solderless press-fit into plated through-holes
- Pin lengths are suitable for 1,57 and 2,36 - 3,18 thick panels
- Required plated through hole is 0,91 - 1,04. Use a 1.1mm drill prior to plating
- Series 104 uses MM #0477 or MM #0478 pins with a BeCu #30 contact, rated at 3 amps. See page 162 for details
- Insulators are high temperature thermoplastic
- For Electrical, Mechanical and Environmental Data, see page 264 for details



Total number of pins				Quantity per tube	ORDERING INFORMATION					
	A	B	C		L = 4,44 (for 1,57 thick panel)	L = 6,35 (for 3,18 thick panel)				
10	12,6	5,08	7,6	40	104-XX-210-41-770000	104-XX-210-41-780000				
4	5,0	7,62	10,1	102	104-XX-304-41-770000	104-XX-304-41-780000				
6	7,6	7,62	10,1	67	104-XX-306-41-770000	104-XX-306-41-780000				
8	10,1	7,62	10,1	50	104-XX-308-41-770000	104-XX-308-41-780000				
10	12,6	7,62	10,1	40	104-XX-310-41-770000	104-XX-310-41-780000				
14	17,7	7,62	10,1	28	104-XX-314-41-770000	104-XX-314-41-780000				
16	20,3	7,62	10,1	25	104-XX-316-41-770000	104-XX-316-41-780000				
18	22,8	7,62	10,1	22	104-XX-318-41-770000	104-XX-318-41-780000				
20	25,3	7,62	10,1	20	104-XX-320-41-770000	104-XX-320-41-780000				
22	27,8	7,62	10,1	18	104-XX-322-41-770000	104-XX-322-41-780000				
24	30,4	7,62	10,1	16	104-XX-324-41-770000	104-XX-324-41-780000				
28	35,5	7,62	10,1	14	104-XX-328-41-770000	104-XX-328-41-780000				
20	25,4	10,16	12,7	20	104-XX-420-41-770000	104-XX-420-41-780000				
22	27,8	10,16	12,7	18	104-XX-422-41-770000	104-XX-422-41-780000				
24	30,4	10,16	12,7	16	104-XX-424-41-770000	104-XX-424-41-780000				
28	35,5	10,16	12,7	14	104-XX-428-41-770000	104-XX-428-41-780000				
32	40,6	10,16	12,7	12	104-XX-432-41-770000	104-XX-432-41-780000				
24	30,4	15,24	17,7	16	104-XX-624-41-770000	104-XX-624-41-780000				
28	35,5	15,24	17,7	14	104-XX-628-41-770000	104-XX-628-41-780000				
32	40,6	15,24	17,7	12	104-XX-632-41-770000	104-XX-632-41-780000				
36	45,7	15,24	17,7	11	104-XX-636-41-770000	104-XX-636-41-780000				
40	50,8	15,24	17,7	10	104-XX-640-41-770000	104-XX-640-41-780000				
42	53,3	15,24	17,7	9	104-XX-642-41-770000	104-XX-642-41-780000				
48	60,9	15,24	17,7	8	104-XX-648-41-770000	104-XX-648-41-780000				
50	63,5	15,24	17,7	8	104-XX-650-41-770000	104-XX-650-41-780000				
52	66,0	15,24	17,7	7	104-XX-652-41-770000	104-XX-652-41-780000				
50	63,5	22,86	25,3	8	104-XX-950-41-770000	104-XX-950-41-780000				
52	66,0	22,86	25,3	7	104-XX-952-41-770000	104-XX-952-41-780000				
64	81,2	22,86	25,3	6	104-XX-964-41-770000	104-XX-964-41-780000				
SPECIFY PLATING CODE XX =					11	13				
Sleeve (Pin)					0,25µm Au	0,25µm Au				
Contact (Clip)					0,25µm Au	0,76µm Au				



XX=Plating Code
See Below

