



Chipsmall Limited consists of a professional team with an average of over 10 year of expertise in the distribution of electronic components. Based in Hongkong, we have already established firm and mutual-benefit business relationships with customers from,Europe,America and south Asia,supplying obsolete and hard-to-find components to meet their specific needs.

With the principle of “Quality Parts,Customers Priority,Honest Operation,and Considerate Service”,our business mainly focus on the distribution of electronic components. Line cards we deal with include Microchip,ALPS,ROHM,Xilinx,Pulse,ON,Everlight and Freescale. Main products comprise IC,Modules,Potentiometer,IC Socket,Relay,Connector.Our parts cover such applications as commercial,industrial, and automotives areas.

We are looking forward to setting up business relationship with you and hope to provide you with the best service and solution. Let us make a better world for our industry!



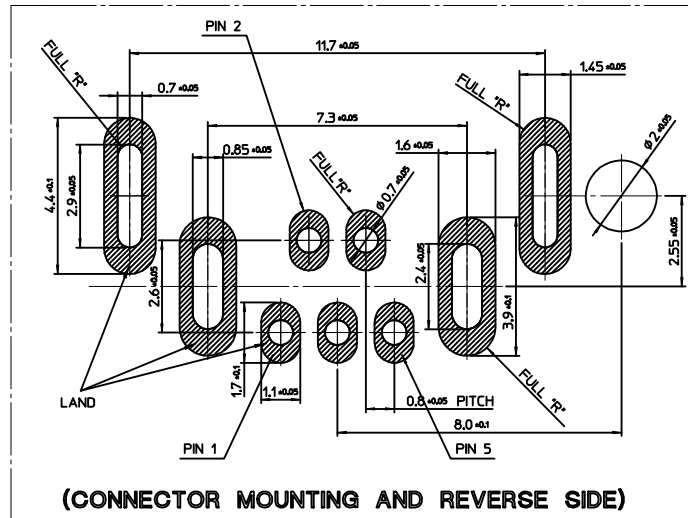
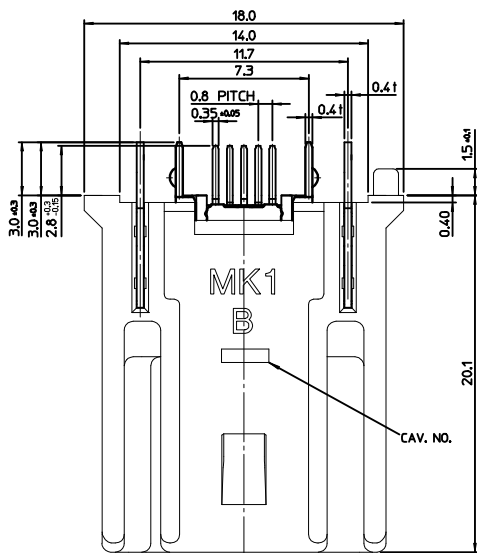
Contact us

Tel: +86-755-8981 8866 Fax: +86-755-8427 6832

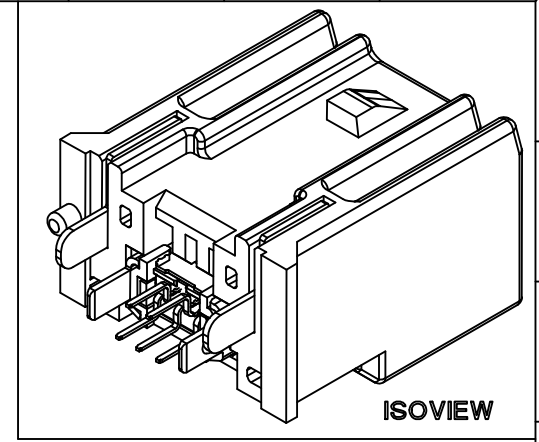
Email & Skype: info@chipsmall.com Web: www.chipsmall.com

Address: A1208, Overseas Decoration Building, #122 Zhenhua RD., Futian, Shenzhen, China



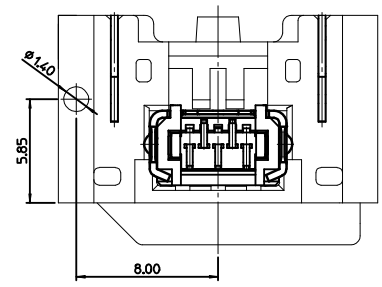
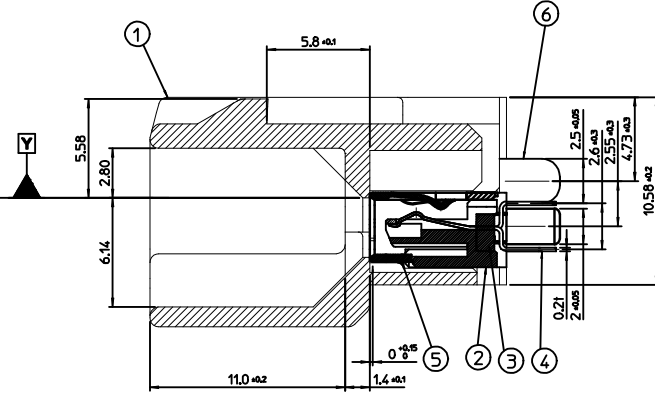
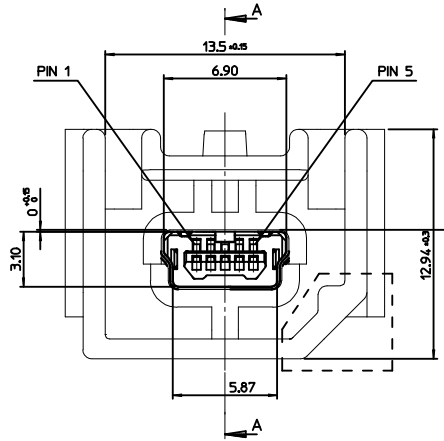


RECOMMENDED PCB LAYOUT



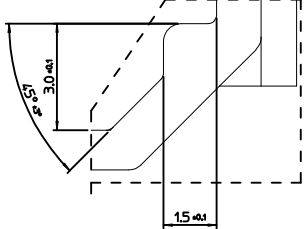
NOTE

- MATES WITH :
(MOLEX SERIES NO. - 111014, 111015, 111005, 111041, 111019, 111020)
- SHROUD GEOMETRY AND ASSEMBLY WITH USB MINI-B CONNECTOR ARE ACCORDING TO USCAR STD 999-U-USB-Z01
- FINISHES
- TERMINAL :
CONTACT AREA : Au 0.75 μ m MIN.
SOLDER TAIL AREA : TIN 3.8 μ m MIN.
UNDER PLATING : NI 1.0 μ m MIN.
- SHIELD CASE :
3.0 μ m MIN. TIN OVER NI 1.0 μ m MIN.
- FITTING NAIL :
3.0 μ m MIN. TIN OVER NI 1.0 μ m MIN.
- UNLESS OTHERWISE SPECIFIED, TYPICAL RECOMMENDED PCB MANUFACTURING TOLERANCE IS ± 0.05
- PACKAGING IS TRAY :
(48 PCS/TRAY, 5 TRAY/TRAY BOX, 240 PCS/TRAY BOX, 960 PCS/CARTON BOX)
- PRODUCT SPECIFICATION : PS-49616-001
- PACKAGING INFORMATION : PK-104004-003
- PCB THICKNESS : 2.36mm(REFERENCE)



<TABLE 1>

MATERIAL NO.	ORDER NO.	COLOR
1040040905	104004-0905	GRAY



<PARTS LIST>

NO.	PART NAME	MATERIAL
1	SHROUD-B	LCP, GLASS FILLED, UL94 V-0
2	RECEPTACLE HOUSING	LCP, GLASS FILLED, UL94 V-0
3	CONTACT HOUSING	LCP, GLASS FILLED, UL94 V-0
4	CONTACT TERMINAL	COPPER ALLOY
5	SHIELD CASE	PHOSPHOR BRONZE
6	BOARD LOCKS PIN	BRASS

REVISED
EC NO: KTR2015-0098
DRAWN/BAEK 2015/04/27
CHKD:
APPR: JYCHOI 2015/05/04
REV DESCRIPTION

QUALITY SYMBOLS	GENERAL TOLERANCES (UNLESS SPECIFIED)	
	mm	INCH
$\nabla=0$	4 PLACES \pm ---	\pm ---
$\nabla=0$	3 PLACES \pm 0	\pm ---
	2 PLACES \pm 0.15	\pm ---
	1 PLACE \pm 0.25	\pm ---
	ANGULAR \pm 1°	
DRAFT WHERE APPLICABLE MUST REMAIN WITHIN DIMENSIONS		

DIMENSION STYLE		SCALE	DESIGN UNITS	THIRD ANGLE PROJECTION
MM ONLY		5:1	METRIC	
DRAWN BY	DATE	TITLE		
S.M.KIM	2009/06/17	USCAR USB MINI B CONN		
CHECKED BY	DATE	VERTICAL B		
B.C.YOON	2009/06/17	(LONG TERMINAL VERSION)		
APPROVED BY	DATE	MOLEX INCORPORATED		
JYCHOI	2013/01/07	MOLEX INCORPORATED		
MATERIAL NO.	DOCUMENT NO.	SHEET NO.		
SEE TABLE 1	SD-104004-007	1 OF 1		