



Chipsmall Limited consists of a professional team with an average of over 10 year of expertise in the distribution of electronic components. Based in Hongkong, we have already established firm and mutual-benefit business relationships with customers from,Europe,America and south Asia,supplying obsolete and hard-to-find components to meet their specific needs.

With the principle of “Quality Parts,Customers Priority,Honest Operation,and Considerate Service”,our business mainly focus on the distribution of electronic components. Line cards we deal with include Microchip,ALPS,ROHM,Xilinx,Pulse,ON,Everlight and Freescale. Main products comprise IC,Modules,Potentiometer,IC Socket,Relay,Connector.Our parts cover such applications as commercial,industrial, and automotives areas.

We are looking forward to setting up business relationship with you and hope to provide you with the best service and solution. Let us make a better world for our industry!



Contact us

Tel: +86-755-8981 8866 Fax: +86-755-8427 6832

Email & Skype: info@chipsmall.com Web: www.chipsmall.com

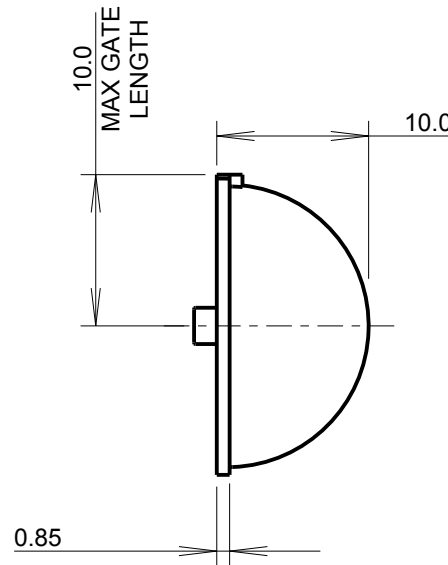
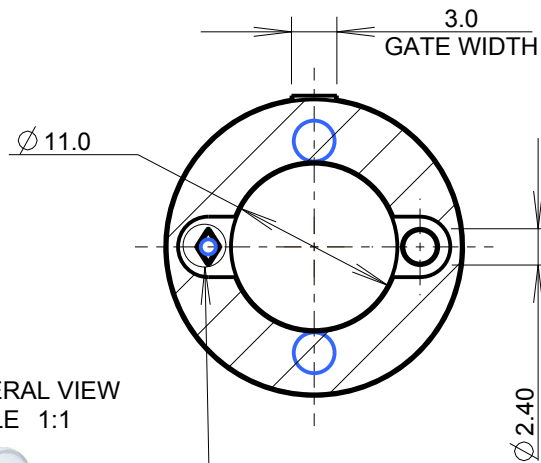
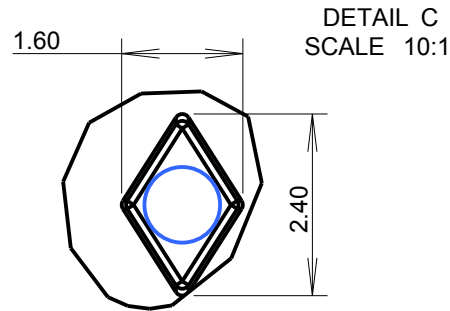
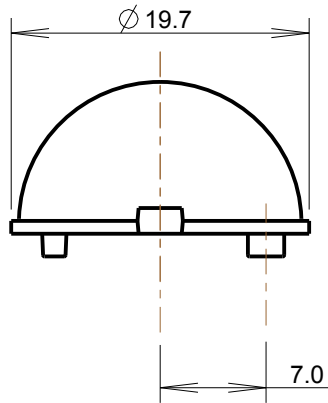
Address: A1208, Overseas Decoration Building, #122 Zhenhua RD., Futian, Shenzhen, China



ISS.	DATE	E.C.N.	DESCRIPTION
1	10-Apr-08		FIRST ISSUE

CUSTOMER DRAWING

SCALE 2:1



MATERIAL: POLYCARBONATE

CARCLO TECHNICAL PLASTICS (SLOUGH)
111 BUCKINGHAM AVE, SLOUGH
SL1 4PF, ENGLAND

TEL: +44 1753 575011 FAX: +44 1753 811359
e-mail: design@carclo-optics.com}

GENERAL TOLERANCES (UNLESS STATED)

LINEAR	ANGULAR
X +/- 0.25	X +/- 1°
X.X +/- 0.1	X.X +/- 0.5°
X.XX +/- 0.05	X.XX +/- 0.1°

CUSTOMER

CARCLO

TITLE

120 DEGREE LED
BUBBLE OPTIC

DRAWN

AJD

DATE

10-Apr-08

CHK'D

MB

DATE

10-Apr-08

APP'D

AJD

DATE

10-Apr-08

SCALE

2:1

CARCLO PART No.

10403

SIZE

A4

CARCLO DRG. No.

60521

SHEET

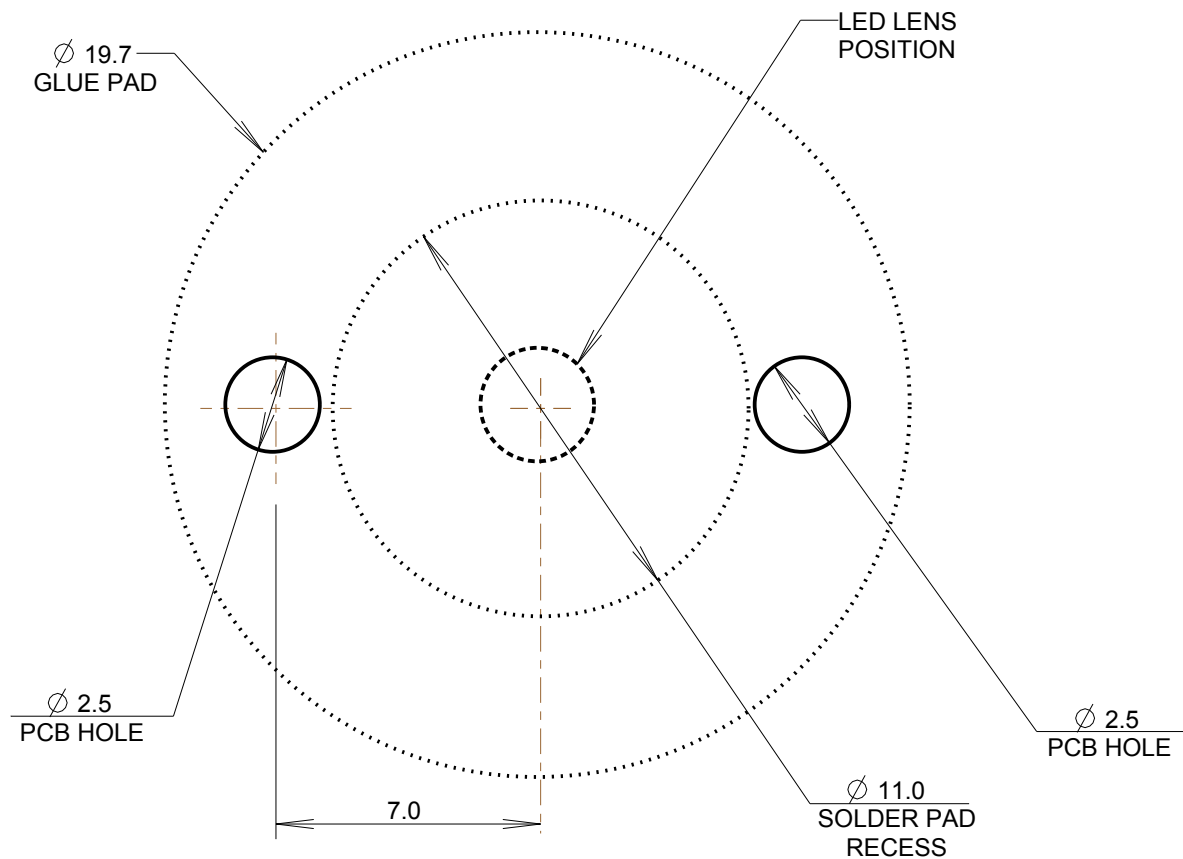
1 OF 2



DIAMOND DOWEL
SEE DETAIL C

ISS.	DATE	E.C.N.	DESCRIPTION
1	10-Apr-08		FIRST ISSUE

PCB GLUE PAD AND ALIGNMENT HOLE LAYOUT DIMENSIONS



NOTE: THE CLOSEST THAT TWO OR MORE LENSES CAN BE PLACED TOGETHER WITHOUT OBSCURATION IS 27MM BETWEEN CENTRES.

CARCLO TECHNICAL PLASTICS (SLOUGH)
111 BUCKINGHAM AVE, SLOUGH
SL1 4PF, ENGLAND
TEL: +44 1753 575011 FAX: +44 1753 811359
e-mail: design@carclo-optics.com}

GENERAL TOLERANCES (UNLESS STATED)

LINEAR	ANGULAR
X +/- 0.25	X +/- 1°
X.X +/- 0.1	X.X +/- 0.5°
X.XX +/- 0.05	X.XX +/- 0.1°

CUSTOMER

CARCLO

TITLE

120 DEGREE LED
BUBBLE OPTIC

DRAWN

AJD

DATE

10-Apr-08

CHK'D

MB

DATE

10-Apr-08

APP'D

AJD

DATE

10-Apr-08

SCALE

5:1

CARCLO PART No.

10403

SIZE

A4

CARCLO DRG. No.

60521

SHEET

2 OF 2