



Chipsmall Limited consists of a professional team with an average of over 10 year of expertise in the distribution of electronic components. Based in Hongkong, we have already established firm and mutual-benefit business relationships with customers from,Europe,America and south Asia,supplying obsolete and hard-to-find components to meet their specific needs.

With the principle of "Quality Parts,Customers Priority,Honest Operation,and Considerate Service",our business mainly focus on the distribution of electronic components. Line cards we deal with include Microchip,ALPS,ROHM,Xilinx,Pulse,ON,Everlight and Freescale. Main products comprise IC,Modules,Potentiometer,IC Socket,Relay,Connector.Our parts cover such applications as commercial,industrial, and automotives areas.

We are looking forward to setting up business relationship with you and hope to provide you with the best service and solution. Let us make a better world for our industry!



Contact us

Tel: +86-755-8981 8866 Fax: +86-755-8427 6832

Email & Skype: info@chipsmall.com Web: www.chipsmall.com

Address: A1208, Overseas Decoration Building, #122 Zhenhua RD., Futian, Shenzhen, China

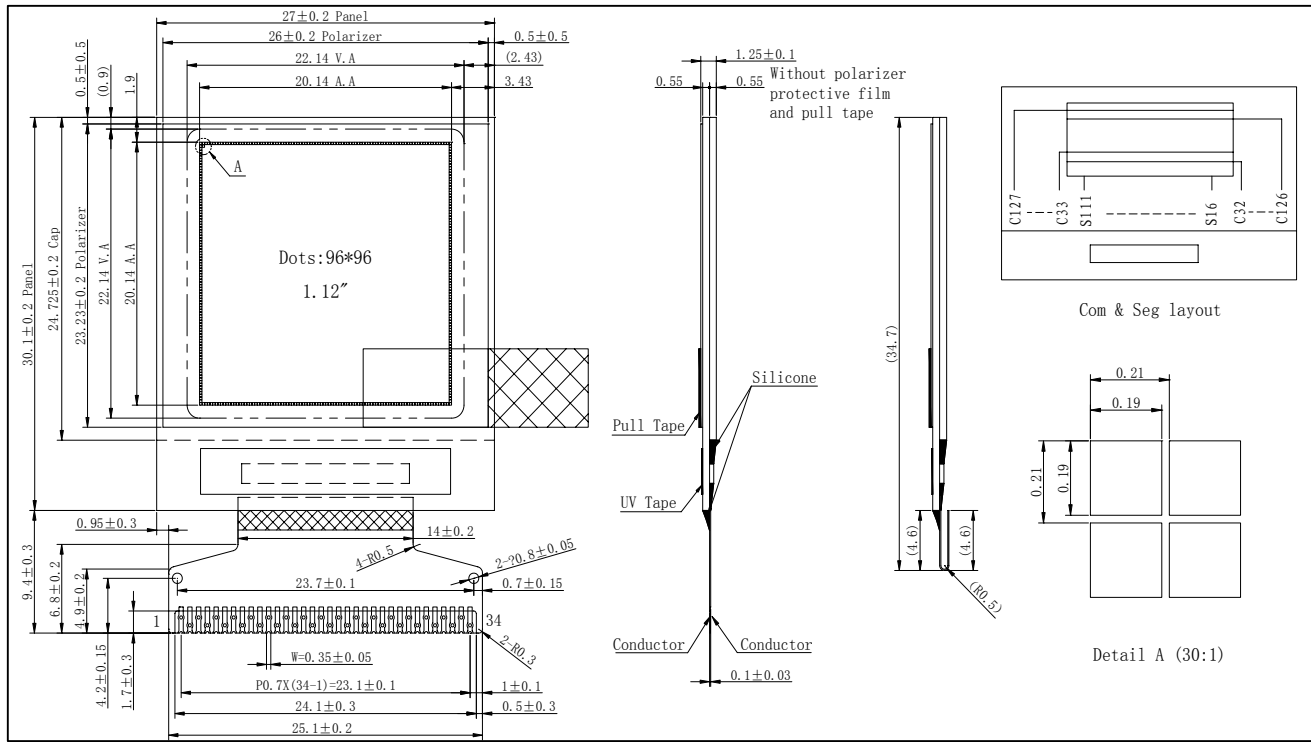


PRODUCT SPECIFICATION

KPS-0027-E01

Product Name: 120-096096

1. MECHANICAL DIMENSION

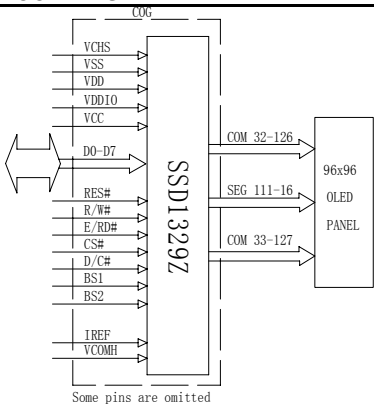


Display Color:White

2. MECHANICAL DATA

| ITEM | SPECIFICATION | UNIT |
|-------------------|---------------|-----------------|
| Diagonal A/A size | 1.12 | inch |
| No. of Dots(W×H) | 96×96 | -- |
| Dot Size(W×H) | 0.19×0.19 | mm ² |
| Dot Pitch(W×H) | 0.21×0.21 | mm ² |
| Active area(W×H) | 20.14×20.14 | mm ² |
| Panel Size(W×H) | 27×30.1 | mm ² |
| Thickness | 1.25 | mm |

4. BLOCK DIAGRAM



3. PIN CONFIGURATION

| NO. | SYMBOL | DESCRIPTION | | | |
|-------|--------|--|-----------|----------|--------|
| 1 | NC | No Connection. | | | |
| 2 | VCHS | It must be connected to external ground. | | | |
| 3 | VCC | OLED Drive Voltage | | | |
| 4 | NC | No Connection. | | | |
| 5 | NC | No Connection. | | | |
| 6 | VDD | Logic Power Supply. | | | |
| 7 | NC | No Connection. | | | |
| 8 | VDDIO | A power supply pin of I/O buffer. Connected to VDD or external source. | | | |
| 9 | RES# | Reset pin, active low. | | | |
| 10 | R/W# | 6800: Read or Write ; 8080: Write. | | | |
| 11 | E/RD# | 6800: Enable (E); 8080:Read. | | | |
| 12 | CS# | Chip select pin, active low. | | | |
| 13 | D/C# | H:Data; L :Command. | | | |
| 14-21 | D0-D7 | Data bus. | | | |
| 22 | BS1 | Pin Name | 8bit-6800 | 8bi-8080 | Serial |
| | | BS1 | 0 | 1 | 0 |
| 23 | BS2 | BS2 | 1 | 1 | 0 |
| | | BS2 | 1 | 1 | 0 |
| 24 | NC | No Connection. | | | |
| 25 | NC | No Connection. | | | |
| 26 | IREF | Tie resistor to VSS. | | | |
| 27 | VSS | Ground Pin. | | | |
| 28 | NC | No Connection. | | | |
| 29 | NC | No Connection. | | | |
| 30 | NC | No Connection. | | | |
| 31 | NC | No Connection. | | | |
| 32 | VCC | OLED Drive Voltage. | | | |
| 33 | NC | No Connection. | | | |
| 34 | VCOMH | A capacitor should be connected between this pin and VSS. | | | |

5. ABSOLUTE MAXIMUM RATINGS

| PARAMETER | SYMBOL | MIN | MAX | UNIT |
|----------------------|--------|------|-----|------|
| Logic Supply Voltage | VDD | -0.3 | 3.5 | V |
| Operating Voltage | VCC | 8 | 16 | V |
| Operating Temp. | Top | -40 | 70 | °C |
| Storage Temp. | Tstg | -40 | 80 | °C |

6. ELECTRICAL CHARACTERISTICS

| PARAMETER | L | MIN | TYP. | MAX | UNIT |
|----------------------|-----|------|------|------|------|
| Logic Supply Voltage | VDD | 2.4 | 3 | 3.5 | V |
| OLED Drive Voltage | VCC | 12.5 | 13 | 13.5 | V |

7. ELECTRO-OPTICAL CHARACTERISTICS

| ITEM | MIN | TYP. | MAX | UNIT |
|-------------------|-----|------|-----|-------------------|
| Brightness | TBD | TBD | -- | cd/m ² |
| Power Consumption | | | TBD | mW |