



Chipsmall Limited consists of a professional team with an average of over 10 year of expertise in the distribution of electronic components. Based in Hongkong, we have already established firm and mutual-benefit business relationships with customers from,Europe,America and south Asia,supplying obsolete and hard-to-find components to meet their specific needs.

With the principle of “Quality Parts,Customers Priority,Honest Operation,and Considerate Service”,our business mainly focus on the distribution of electronic components. Line cards we deal with include Microchip,ALPS,ROHM,Xilinx,Pulse,ON,Everlight and Freescale. Main products comprise IC,Modules,Potentiometer,IC Socket,Relay,Connector.Our parts cover such applications as commercial,industrial, and automotives areas.

We are looking forward to setting up business relationship with you and hope to provide you with the best service and solution. Let us make a better world for our industry!



Contact us

Tel: +86-755-8981 8866 Fax: +86-755-8427 6832

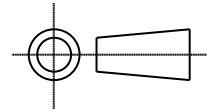
Email & Skype: info@chipsmall.com Web: www.chipsmall.com

Address: A1208, Overseas Decoration Building, #122 Zhenhua RD., Futian, Shenzhen, China



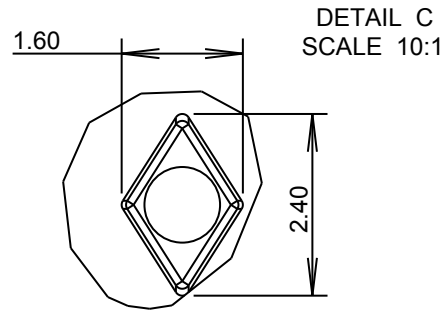
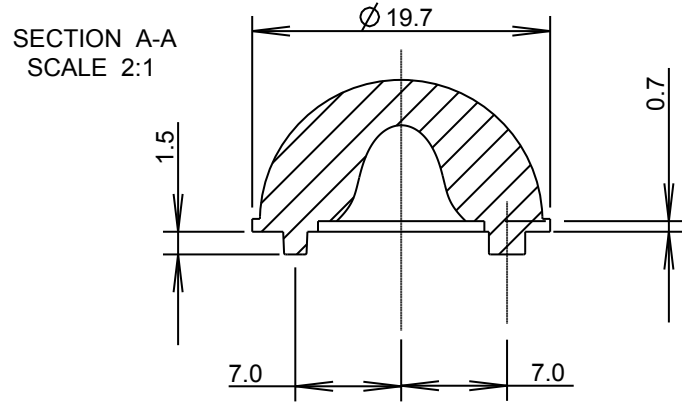
ISS.	DATE	E.C.N.	DESCRIPTION
2	25-Feb-09		INNER CURVE MODIFIED

© 2008 CARCLO
ALL DIMENSIONS IN mm



CARCLO TECHNICAL PLASTICS (SLOUGH)
111 BUCKINGHAM AVE, SLOUGH
SL1 4PF, ENGLAND
TEL: +44 1753 575011 FAX: +44 1753 811359
e-mail: design@carclo-optics.com}

CUSTOMER DRAWING



GENERAL TOLERANCES (UNLESS STATED)

LINEAR	ANGULAR
X +/- 0.25	X +/- 1°
X.X +/- 0.1	X.X +/- 0.5°
X.XX +/- 0.05	X.XX +/- 0.1°

CUSTOMER

CARCLO

TITLE

130 DEGREE LED
BUBBLE OPTIC

DRAWN

AJD

DATE

10-Apr-08

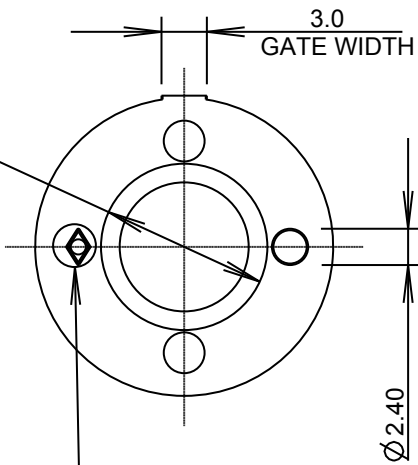
CHK'D

DATE

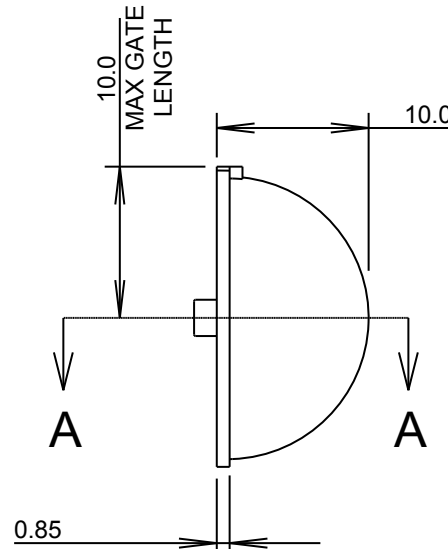
APP'D

DATE

3D GENERAL VIEW
SCALE 1:1



DIAMOND DOWEL
SEE DETAIL C



MATERIAL: POLYCARBONATE

SCALE

2:1

CARCLO PART No.

10406

SIZE

A4

CARCLO DRG. No.

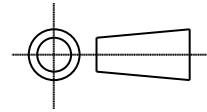
60505

SHEET

1 OF 2

ISS.	DATE	E.C.N.	DESCRIPTION
2	25-Feb-09		INNER CURVE MODIFIED

© 2008 CARCLO
ALL DIMENSIONS IN mm



CARCLO TECHNICAL PLASTICS (SLOUGH)
111 BUCKINGHAM AVE, SLOUGH
SL1 4PF, ENGLAND
TEL: +44 1753 575011 FAX: +44 1753 811359
e-mail: design@carclo-optics.com}

PCB GLUE PAD AND ALIGNMENT HOLE LAYOUT DIMENSIONS

GENERAL TOLERANCES (UNLESS STATED)

LINEAR	ANGULAR
X +/- 0.25	X +/- 1°
X.X +/- 0.1	X.X +/- 0.5°
X.XX +/- 0.05	X.XX +/- 0.1°

CUSTOMER

CARCLO

TITLE

130 DEGREE LED
BUBBLE OPTIC

DRAWN

AJD

DATE

10-Apr-08

CHK'D

DATE

APP'D

DATE

SCALE

5:1

CARCLO PART No.

10406

SIZE

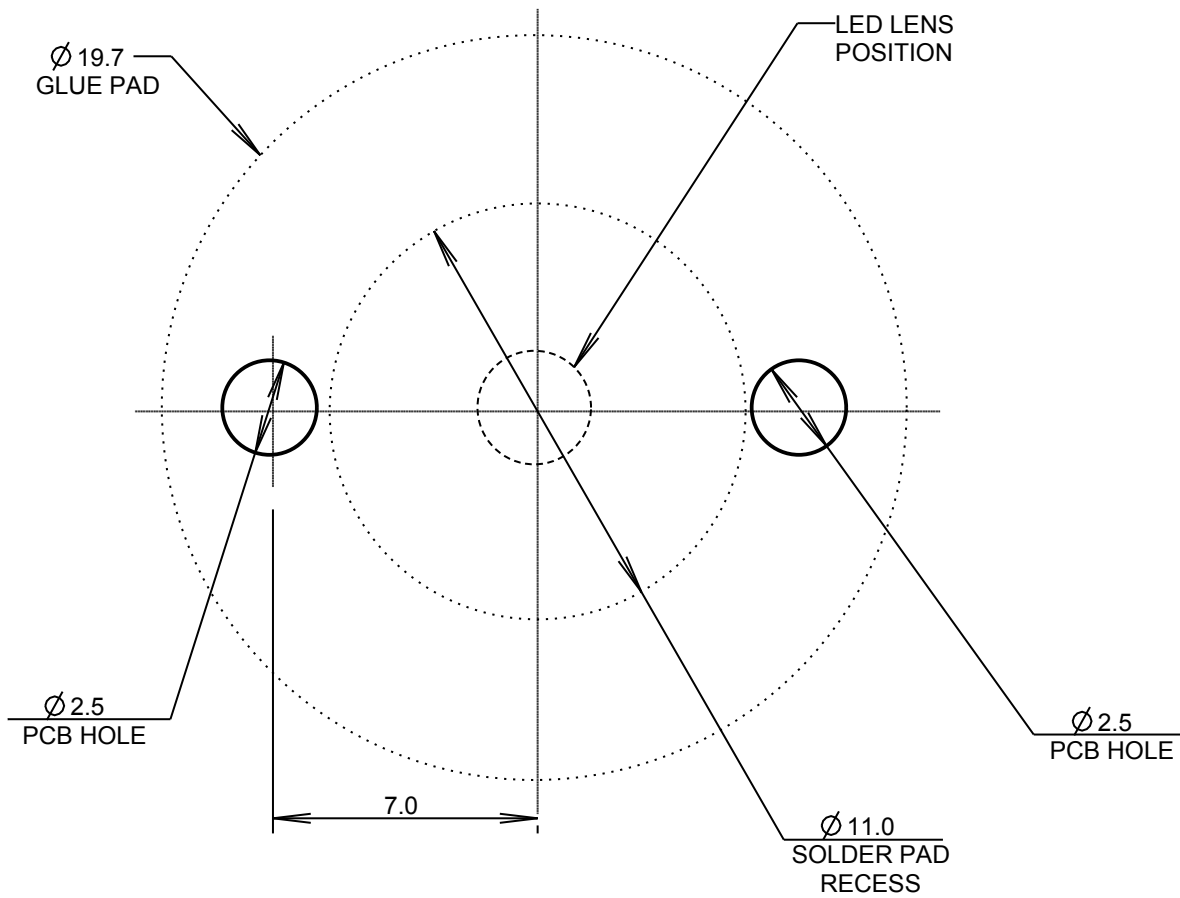
A4

CARCLO DRG. No.

60505

SHEET

2 OF 2



NOTE: THE CLOSEST THAT TWO OR MORE LENSES CAN BE PLACED TOGETHER WITHOUT OBSCURATION IS 27MM BETWEEN CENTRES.