



Chipsmall Limited consists of a professional team with an average of over 10 year of expertise in the distribution of electronic components. Based in Hongkong, we have already established firm and mutual-benefit business relationships with customers from,Europe,America and south Asia,supplying obsolete and hard-to-find components to meet their specific needs.

With the principle of “Quality Parts,Customers Priority,Honest Operation,and Considerate Service”,our business mainly focus on the distribution of electronic components. Line cards we deal with include Microchip,ALPS,ROHM,Xilinx,Pulse,ON,Everlight and Freescale. Main products comprise IC,Modules,Potentiometer,IC Socket,Relay,Connector.Our parts cover such applications as commercial,industrial, and automotives areas.

We are looking forward to setting up business relationship with you and hope to provide you with the best service and solution. Let us make a better world for our industry!



Contact us

Tel: +86-755-8981 8866 Fax: +86-755-8427 6832

Email & Skype: info@chipsmall.com Web: www.chipsmall.com

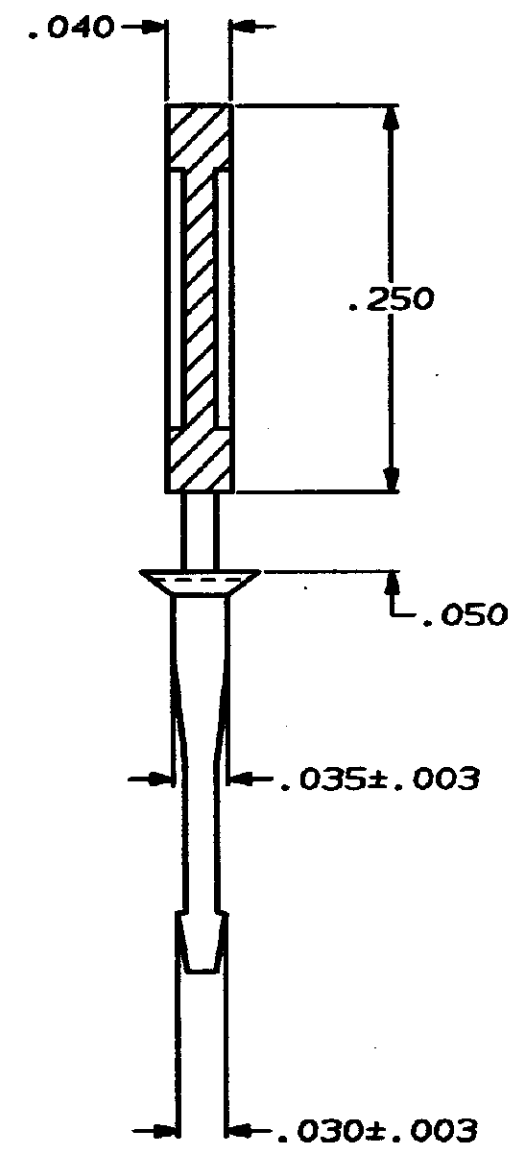
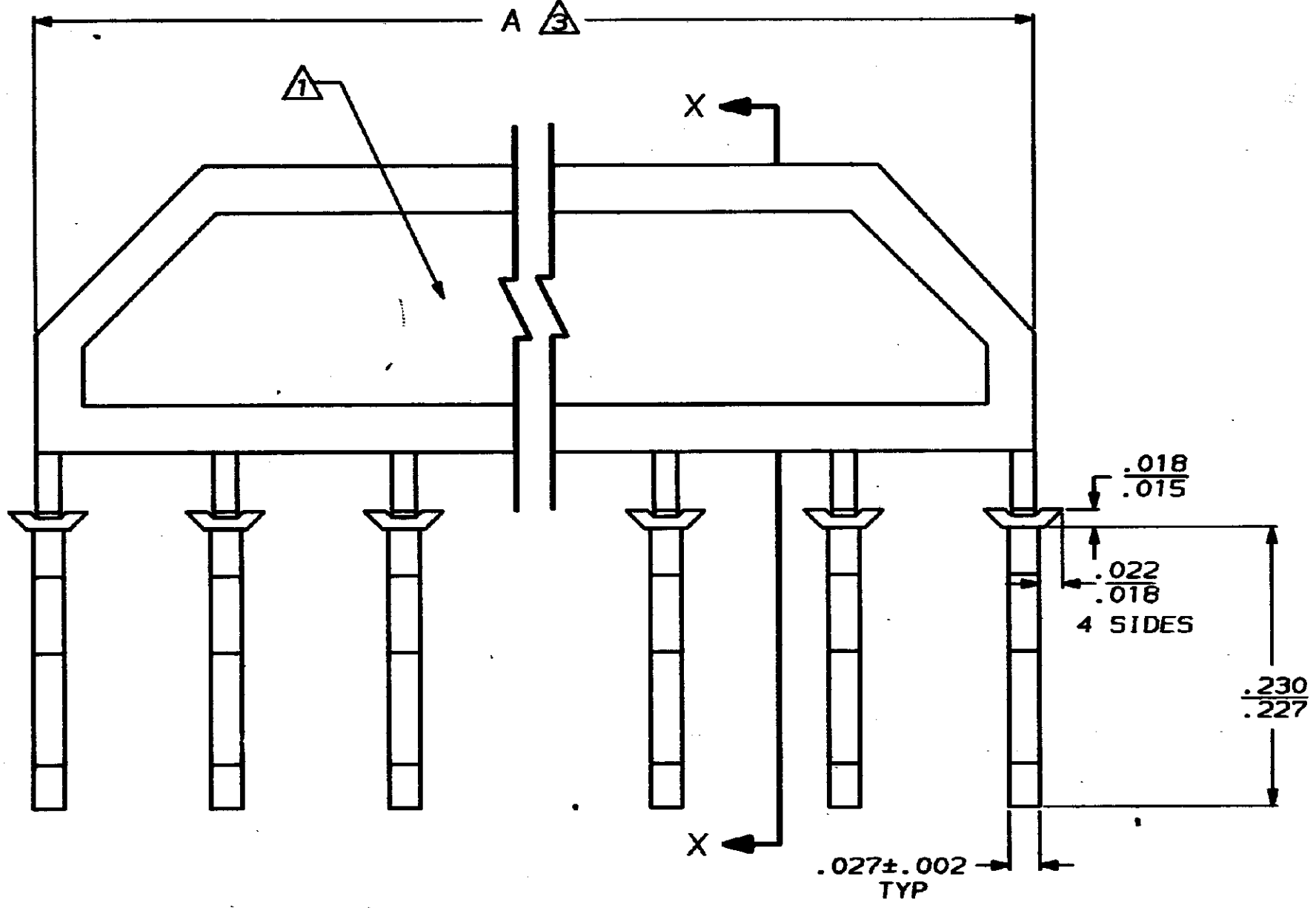
Address: A1208, Overseas Decoration Building, #122 Zhenhua RD., Futian, Shenzhen, China



DRAWING MADE IN THIRD ANGLE PROJECTION
 THIS DRAWING IS UNPUBLISHED. RELEASED FOR PUBLICATION, 19
 © COPYRIGHT 19 BY AMP INCORPORATED, HARRISBURG, PA. ALL INTERNATIONAL RIGHTS
 104072 AMP PRODUCTS MAY BE COVERED BY U.S. AND FOREIGN PATENTS AND/OR PATENTS PENDING.

LOC		DIST		REVISIONS				
AD	39	P	F	ZONE	LTR	DESCRIPTION	DATE	APPROVED
				0		REL WAS 5990-608		
				A		REV LOC & DIST AD-4171	3-90	BF

D
C
B
A



SECTION X-X

- ① "AMP" TRADEMARK ON SURFACE INDICATED
- ② MINIMUM OF EIGHT KEYING PLUGS ARE TO BE ATTACHED TO THE CARRIER
- ③ THIS DIMENSION APPLIES OVER THE CARRIER AREA, IT DOES NOT CONTROL THE KEYING PLUGS

1.372	10/2	104072-1
A	NO OF PLUGS	PART NUMBER

UNLESS OTHERWISE SPECIFIED DIMENSIONS ARE IN INCHES TOLERANCES ON: 2 PL DEC ± - 3 PL DEC ± .005 ANGLES ± -	DR 4-16-87 H HOLL	AMP INCORPORATED Harrisburg, Pa. 17105		
	CHK 4-16-87 L. MAYER			
	MATERIAL: FLAME RETARDANT THERMOPLASTIC COLOR-WHITE	APPD 4-16-87 P. DeJONG	NAME KEYING PLUGS, MTE	
	FINISH:	APPD 4-16-87 J. SCHIEFER		
	PRODUCT SPEC	SIZE C	FSCN NO 00779	DRAWING NO 104072
	APPLICATION SPEC	SCALE 10:1	SHEET 1 OF 1	
	WEIGHT			

AMP 1471-7 REV 10-84

CUSTOMER DRAWING

104072