



Chipsmall Limited consists of a professional team with an average of over 10 year of expertise in the distribution of electronic components. Based in Hongkong, we have already established firm and mutual-benefit business relationships with customers from,Europe,America and south Asia,supplying obsolete and hard-to-find components to meet their specific needs.

With the principle of "Quality Parts,Customers Priority,Honest Operation,and Considerate Service",our business mainly focus on the distribution of electronic components. Line cards we deal with include Microchip,ALPS,ROHM,Xilinx,Pulse,ON,Everlight and Freescale. Main products comprise IC,Modules,Potentiometer,IC Socket,Relay,Connector.Our parts cover such applications as commercial,industrial, and automotives areas.

We are looking forward to setting up business relationship with you and hope to provide you with the best service and solution. Let us make a better world for our industry!



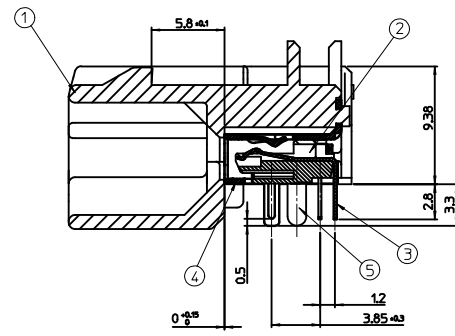
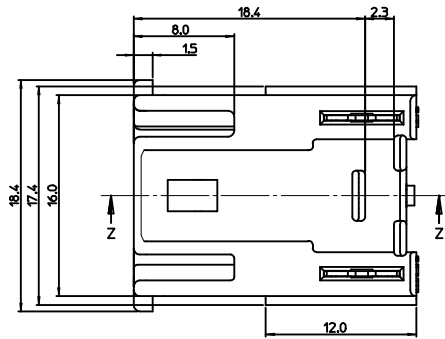
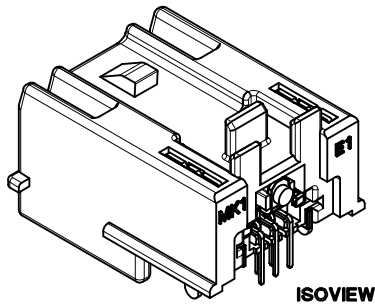
## Contact us

Tel: +86-755-8981 8866 Fax: +86-755-8427 6832

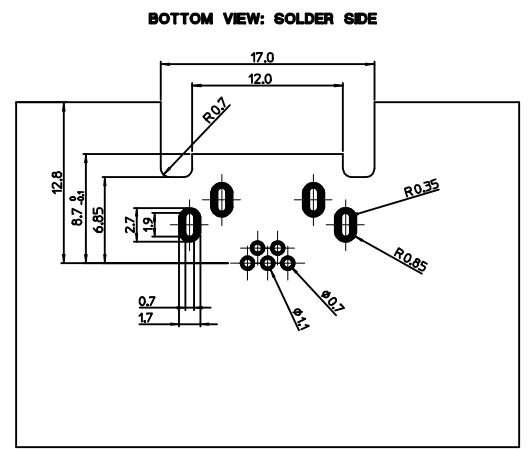
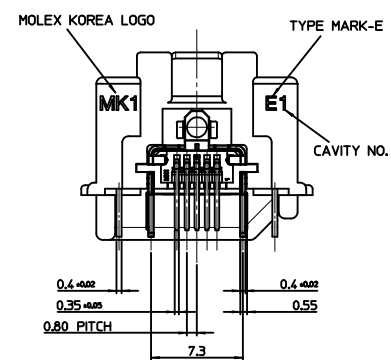
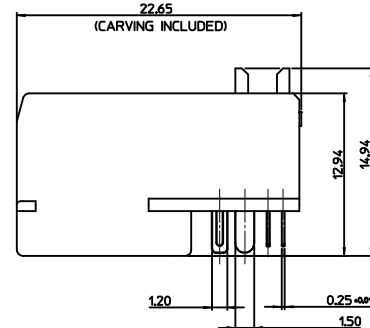
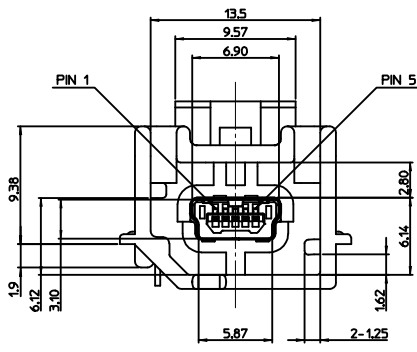
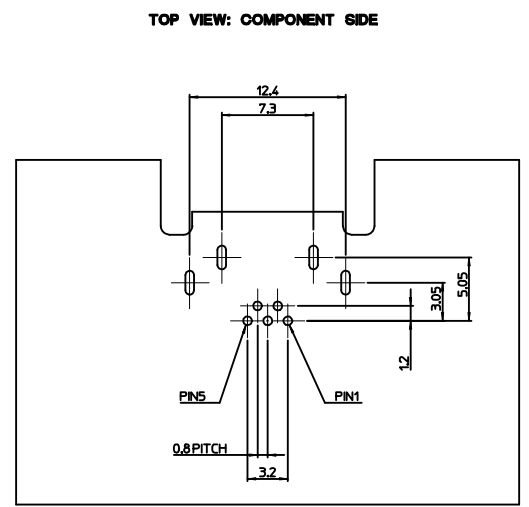
Email & Skype: info@chipsmall.com Web: www.chipsmall.com

Address: A1208, Overseas Decoration Building, #122 Zhenhua RD., Futian, Shenzhen, China





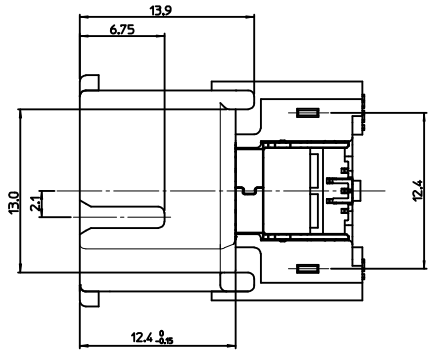
SECTION Z-Z



GENERAL TOLERANCE : ±0.05

**RECOMMENDED PCB LAYOUT**

- NOTES
- MATES WITH :  
(MOLEX SERIES NO. : 111014, 111015, 111005, 111041, 111019, 111020)
  - SHROUD GEOMETRY AND ASSEMBLY WITH USB MINI-B CONNECTOR ARE ACCORDING TO USCAR STD 999-U-USB-Z01
  - FINISHES
    - TERMINAL :  
CONTACT AREA : GOLD 0.75μm MIN.  
SOLDER TAIL AREA : TIN 3.8μm MIN.  
UNDER PLATING : NI 1.25μm MIN.
    - SHIELD CASE :  
3.0μm MIN. TIN OVER NI 1.0μm MIN.
    - FITTING NAIL :  
3.0μm MIN. TIN OVER NI 1.0μm MIN.
  - UNLESS OTHERWISE SPECIFIED, TYPICAL RECOMMENDED PCB MANUFACTURING TOLERANCE IS ±0.05
  - PCB THICKNESS : 1.6mm(REFERENCE)



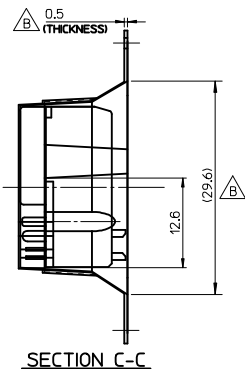
<PART LIST>

NO.	PART NAME	MATERIALS
①	SHROUD	SPS, GLASS FILLED, UL94 HB
②	REC. HOUSING	LCP, GLASS FILLED, UL94 V-0
③	TERMINAL	COPPER ALLOY
④	SHIELD CASE	PHOSPHOR BRONZE
⑤	FITTING NAIL	BRASS

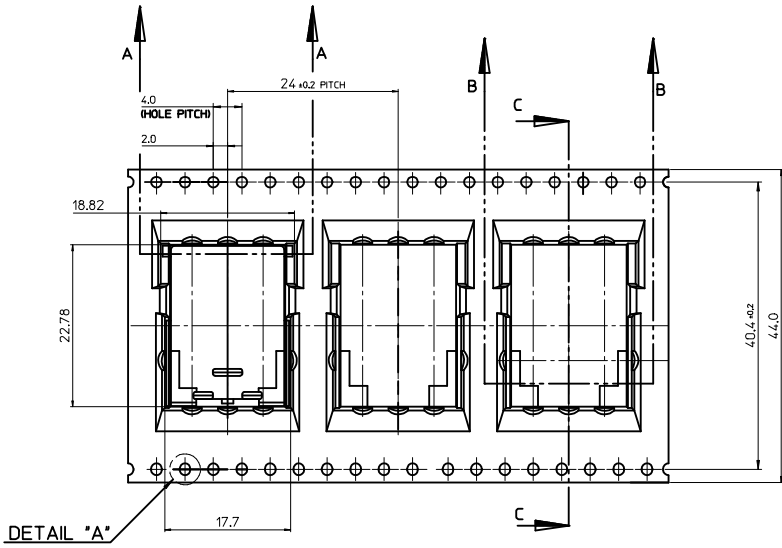
<TABLE 1>

MATERIAL NO.	ORDER NO.	PACKAGING	COLOR
1040870924	104087-0924	TAPE & REEL	BLUE

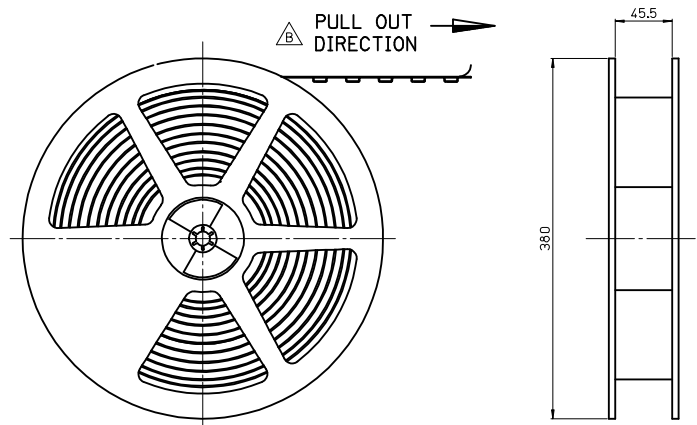
<b>DRAWING ERROR</b> ELEC NO: K1R207-0033 DRAWING NO: 2017/01/14 CHKD: HJANG APPR: HJANG REV:	QUALITY SYMBOLS	GENERAL TOLERANCES (UNLESS SPECIFIED)	DIMENSION STYLE	SCALE	DESIGN UNITS	THIRD ANGLE PROJECTION
	▽=0	mm INCH	MM ONLY	5:1	METRIC	
	▽=0.1	4 PLACES ± --- ± ---	DRAWN BY	DATE	TITLE	
	▽=0.2	3 PLACES ± --- ± ---	HIMOON	2013/05/02	HSAUTOLINK R/A HEADER TYPE-E FOR HMI MODULE (TAPE & REEL PACKING)	
▽=0.3	2 PLACES ± 0.15 ± ---	CHECKED BY	DATE			
▽=0.4	1 PLACE ± 0.25 ± ---	BCYOON	2013/05/02			
▽=0.5	0 PLACE ± --- ± ---	APPROVED BY	DATE			
		JHBAE	2013/07/30			
		MATERIAL NO.	DOCUMENT NO.			
		SEE TABLE 1	SD-104087-008			
		THIS DRAWING CONTAINS INFORMATION THAT IS PROPRIETARY TO MOLEX INCORPORATED AND SHOULD NOT BE USED WITHOUT WRITTEN PERMISSION				



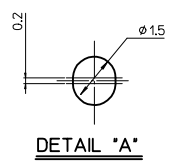
SECTION C-C



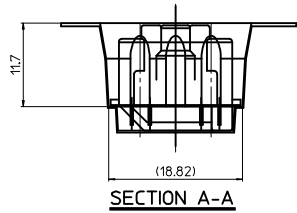
EMBOSS TAPE



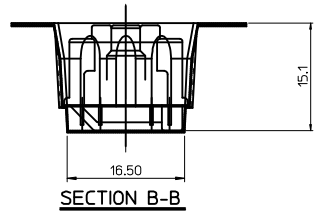
PLASTIC BOBBIN



DETAIL "A"



SECTION A-A

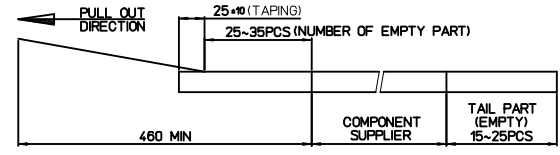


SECTION B-B

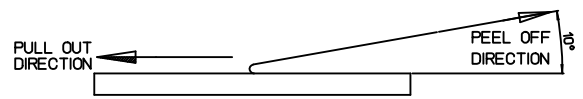
NOTES

1. QUANTITY OF CONNECTORS : 200EA/REEL
2. MATERIAL
  - EMBOSS TAPE : P.E.T ANTISTATIC
  - PASTIC BOBBIN : P.S

3. LEAD LENGTH



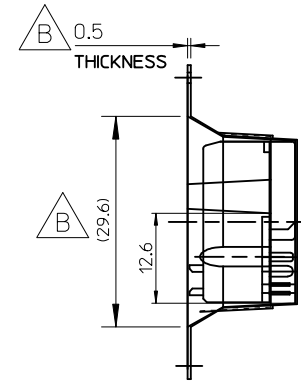
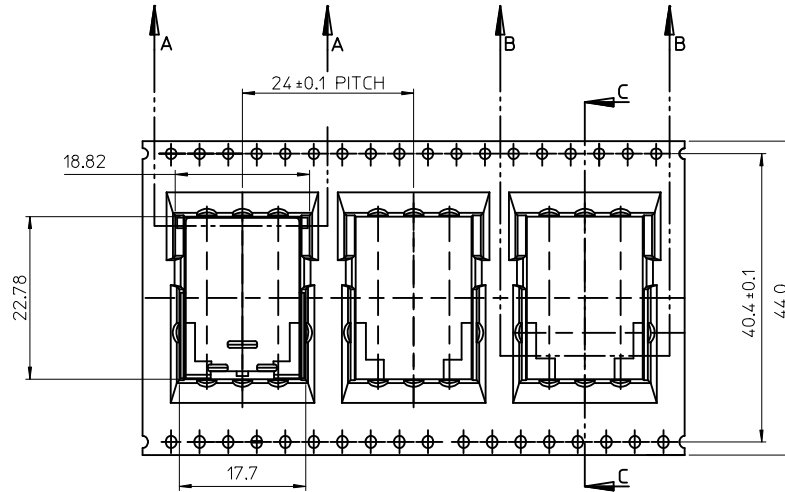
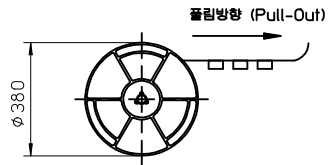
4. PEELING OFF FORCE OF COVER TAPE : 0.1N~0.59N(10.2GF~60GF)  
(PEELING DIRECTION AS SHOW IN FOLLOW FIG.)  
PEELING OFF SPEED : 300mm/Min.(Ref.)



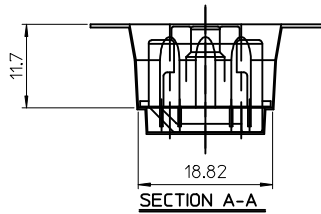
5. FLASH IN ANY PORTION SHOULD BE LESS THAN 0.20mm MAX.

<b>DRAWING ERROR</b> EC NO: KTR2017-0033 DRAWN: JMK/NO2 2017/01/14 CHKD: JMK/NO2 APPR: JHJANG 2017/03/20	QUALITY SYMBOLS	GENERAL TOLERANCES (UNLESS SPECIFIED)		DIMENSION STYLE MM ONLY		SCALE 5:1	DESIGN UNITS METRIC	THIRD ANGLE PROJECTION
	▽=0	mm	INCH	DRAWN BY HIMOON	DATE 2013/05/02	TITLE HSAUTOLINK R/A HEADER TYPE-E FOR HMI MODULE (TAPE & REEL PACKING)		
	▽=0	4 PLACES ± --- ± ---	3 PLACES ± --- ± ---	CHECKED BY BCYOON	DATE 2013/05/02			
	▽=0	2 PLACES ± 0.15 ± ---	1 PLACE ± 0.25 ± ---	APPROVED BY JHBAE	DATE 2013/07/30			
ANGULAR ± 1°		DRAFT WHERE APPLICABLE MUST REMAIN WITHIN DIMENSIONS						

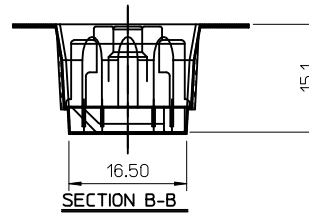
**B TAPING STYLE**



**SECTION C-C**



**SECTION A-A**



**SECTION B-B**

**NOTES**

1. MATERIAL
  - PLASTIC BOBBIN : P.S
  - CARRIER TAPE : P.E.T ANTISTATIC
- B** 2. THICKNESS : 0.5±0.05
3. PACKING QUANTITY : 200 PCS / 1 REEL

<TABLE>	
MATERIAL NO.	ORDER NO.
1040879002	104087-9002

**DRAWING ERROR**  
 EC NO: KTR2017-0033  
 DRWN: JMK/IM02 2017/01/14  
 CHKD:  
 APPR: JHJANG 2017/03/20

QUALITY SYMBOLS  
 = 0  
 = 0.05

GENERAL TOLERANCES (UNLESS SPECIFIED)

	mm	INCH
4 PLACES	± ---	± ---
3 PLACES	± ---	± ---
2 PLACES	± 0.15	± ---
1 PLACE	± 0.25	± ---
ANGULAR ± 1 °		

DRAFT WHERE APPLICABLE MUST REMAIN WITHIN DIMENSIONS

DIMENSION STYLE  
**MM ONLY**

DRAWN BY	DATE
HIMOON	2013/05/02
CHECKED BY	DATE
BCYOON	2013/05/02
APPROVED BY	DATE
JHJANG	2017/03/20

MATERIAL NO. SEE TABLE

SCALE  
 DESIGN UNITS  
**METRIC**

THIRD ANGLE PROJECTION

TITLE  
**HSAUTOLINK R/A HEADER TYPE-E FOR HMI MODULE (TAPE & REEL PACKING)**

**molex** MOLEX INCORPORATED

DOCUMENT NO. SD-104087-011

SHEET NO. 1 OF 1

THIS DRAWING CONTAINS INFORMATION THAT IS PROPRIETARY TO MOLEX INCORPORATED AND SHOULD NOT BE USED WITHOUT WRITTEN PERMISSION