



Chipsmall Limited consists of a professional team with an average of over 10 year of expertise in the distribution of electronic components. Based in Hongkong, we have already established firm and mutual-benefit business relationships with customers from,Europe,America and south Asia,supplying obsolete and hard-to-find components to meet their specific needs.

With the principle of “Quality Parts,Customers Priority,Honest Operation,and Considerate Service”,our business mainly focus on the distribution of electronic components. Line cards we deal with include Microchip,ALPS,ROHM,Xilinx,Pulse,ON,Everlight and Freescale. Main products comprise IC,Modules,Potentiometer,IC Socket,Relay,Connector.Our parts cover such applications as commercial,industrial, and automotives areas.

We are looking forward to setting up business relationship with you and hope to provide you with the best service and solution. Let us make a better world for our industry!



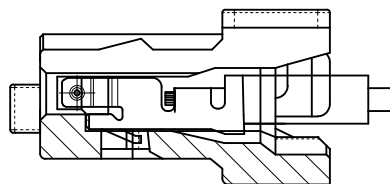
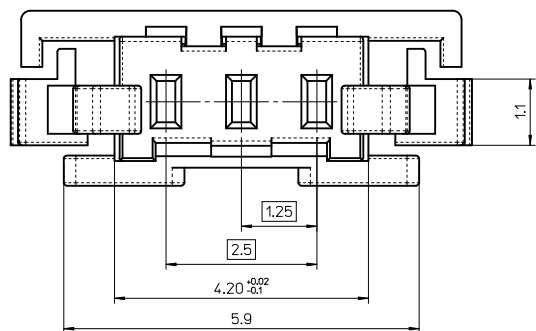
## Contact us

Tel: +86-755-8981 8866 Fax: +86-755-8427 6832

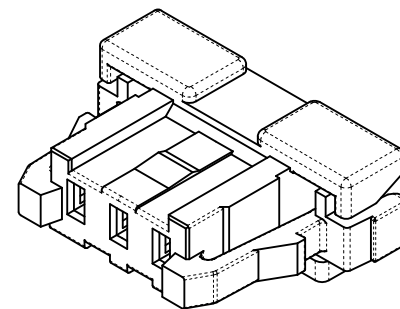
Email & Skype: info@chipsmall.com Web: www.chipsmall.com

Address: A1208, Overseas Decoration Building, #122 Zhenhua RD., Futian, Shenzhen, China

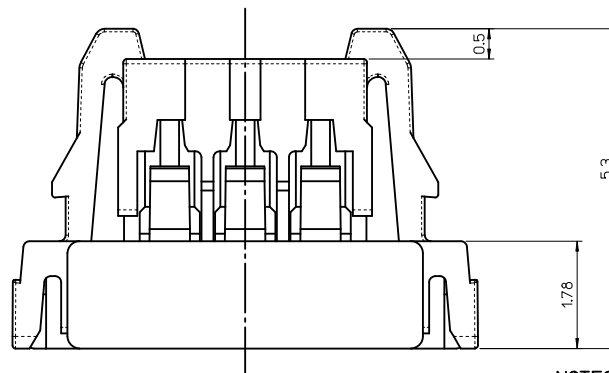
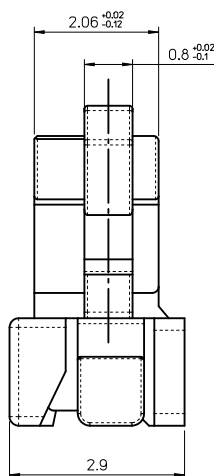
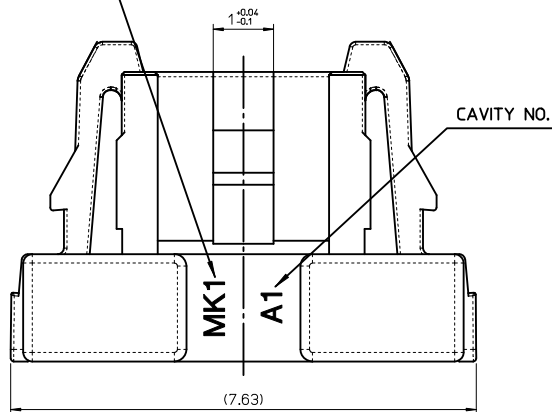




MATED CONDITION  
(REFERENCE)

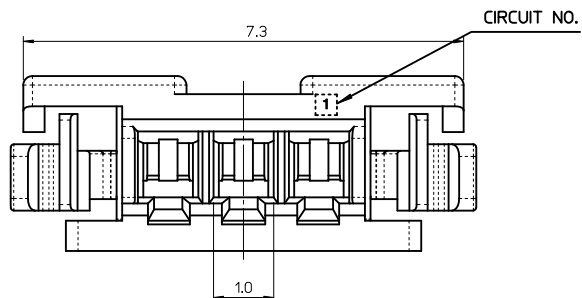


TRADE MARK



NOTES.

- MATED WITH : 104130-0310
- MATERIAL : LCP E130i, GLASS FILLED, UL94V-0 HALOGEN FREE, COLOR OF NATURAL
- APPLICABLE TERMINAL : 104539-8102



RELEASED EC NO: KOR2012-0059 DRWN: JHPARK01 2011/12/19 CHKD: SHCHU 2011/12/19 APPR: YUNSIKKIM 2011/12/29	DESCRIPTION REV A	QUALITY SYMBOLS ▽=0 ▽=0	GENERAL TOLERANCES (UNLESS SPECIFIED)		DIMENSION STYLE MM ONLY		SCALE	DESIGN UNITS	THIRD ANGLE PROJECTION	
			mm	INCH	DRAWN BY		DATE	TITLE		METRIC
			4 PLACES ± ---	± ---	JHPARK01		2011/12/19	1.25MM WTB CONN. HOUSING 3P (POSITIVE LOCKING)		
			3 PLACES ± ---	± ---	CHECKED BY		DATE			MOLEX INCORPORATED
2 PLACES ± 0.15	± ---	SHCHU		2011/12/19	MATERIAL NO. 1041310300 DOCUMENT NO. SD-104131-001					
1 PLACE ± 0.20	± ---	APPROVED BY		DATE		SHEET NO. 1 OF 01				
ANGULAR ± 1°		YUNSIKKIM		2011/12/29	THIS DRAWING CONTAINS INFORMATION THAT IS PROPRIETARY TO MOLEX INCORPORATED AND SHOULD NOT BE USED WITHOUT WRITTEN PERMISSION					
DRAFT WHERE APPLICABLE MUST REMAIN WITHIN DIMENSIONS			SIZE							
			A3							