



Chipsmall Limited consists of a professional team with an average of over 10 year of expertise in the distribution of electronic components. Based in Hongkong, we have already established firm and mutual-benefit business relationships with customers from,Europe,America and south Asia,supplying obsolete and hard-to-find components to meet their specific needs.

With the principle of “Quality Parts,Customers Priority,Honest Operation,and Considerate Service”,our business mainly focus on the distribution of electronic components. Line cards we deal with include Microchip,ALPS,ROHM,Xilinx,Pulse,ON,Everlight and Freescale. Main products comprise IC,Modules,Potentiometer,IC Socket,Relay,Connector.Our parts cover such applications as commercial,industrial, and automotives areas.

We are looking forward to setting up business relationship with you and hope to provide you with the best service and solution. Let us make a better world for our industry!



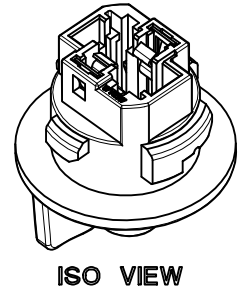
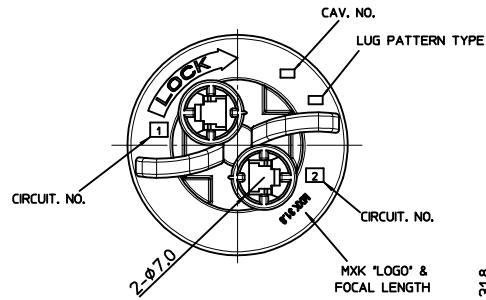
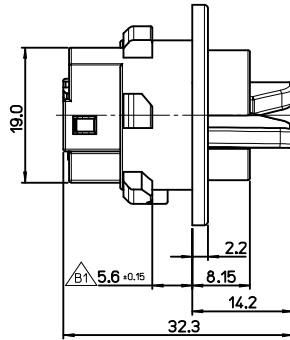
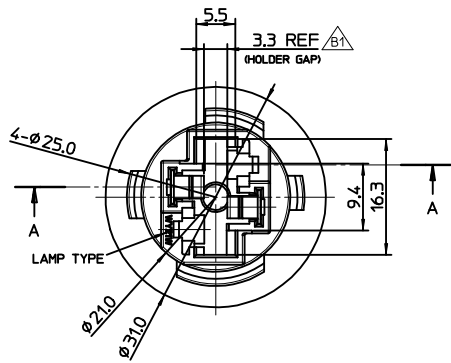
Contact us

Tel: +86-755-8981 8866 Fax: +86-755-8427 6832

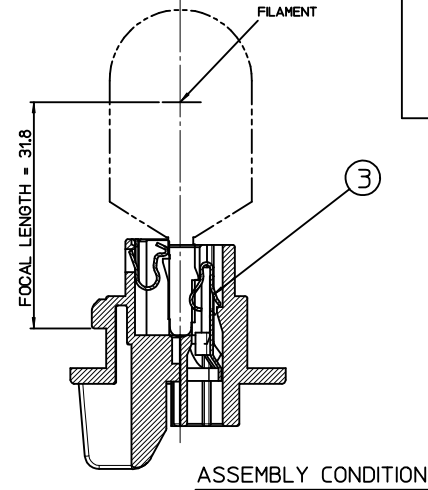
Email & Skype: info@chipsmall.com Web: www.chipsmall.com

Address: A1208, Overseas Decoration Building, #122 Zhenhua RD., Futian, Shenzhen, China

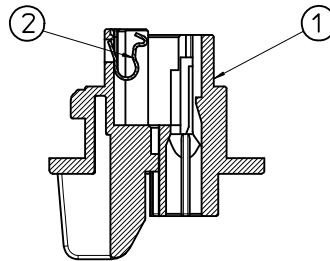
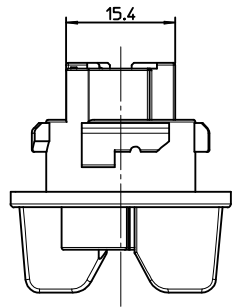




ISO VIEW



ASSEMBLY CONDITION



SECTION A-A

<NOTE>

1. APPLICABLE LAMP : WY21W(T20)
2. PANEL THICKNESS : 3.0mm ±0.1
3. MATES WITH

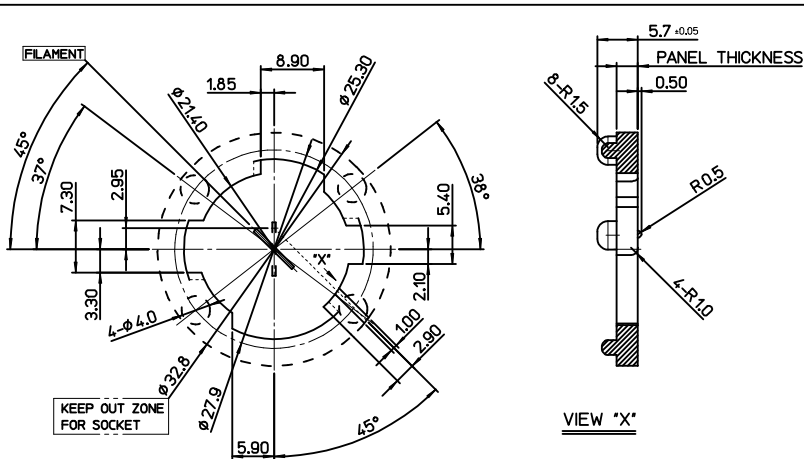
NO.	DESCRIPTION	MATERIAL	PART NO.	WIRE RANGE
③	SINGLE TERMINAL	BRASS	49869-9102	0.5~0.85mm ²

<PARTS LIST>

NO.	DESCRIPTION	MATERIAL	USAGE	REMARK
①	T20 BULB SOCKET	NYLON46, GF 30%	1	BROWN
②	LAMP HOLDER	SUS	2	UNPLATED



MATERIAL NO.	ORDER NO.	COLOR
1041330217	104133-0217	BROWN
1041330210	104133-0210	NATURAL



VIEW 'X'

LUG PATTERN 'A'

GENERAL TOLERANCE: ±0.1

KEEP OUT ZONE FOR SOCKET

CHANGED DIM'S & ADDED COLOR EC NO: KTR2012-0067 DRAWN: HIMOON 2012/05/03 CHK: CHIMOON 2012/05/03 APPR: B1	QUALITY SYMBOLS ▽=0 ▽=0	GENERAL TOLERANCES (UNLESS SPECIFIED)		DIMENSION STYLE MM ONLY		SCALE 2:1	DESIGN UNITS METRIC	THIRD ANGLE PROJECTION	
		mm	INCH	DRAWN BY SMK1M	DATE 2009/03/17	TITLE WY21W UNSEALED WEDGE BULB SOCKET 2P	MOLEX INCORPORATED		
DRAFT WHERE APPLICABLE MUST REMAIN WITHIN DIMENSIONS		SEE TABLE 1		MATERIAL NO. SD-104133-001		DOCUMENT NO.		SHEET NO. 1 OF 1	
SIZE A2 THIS DRAWING CONTAINS INFORMATION THAT IS PROPRIETARY TO MOLEX INCORPORATED AND SHOULD NOT BE USED WITHOUT WRITTEN PERMISSION									