



Chipsmall Limited consists of a professional team with an average of over 10 year of expertise in the distribution of electronic components. Based in Hongkong, we have already established firm and mutual-benefit business relationships with customers from,Europe,America and south Asia,supplying obsolete and hard-to-find components to meet their specific needs.

With the principle of "Quality Parts,Customers Priority,Honest Operation,and Considerate Service",our business mainly focus on the distribution of electronic components. Line cards we deal with include Microchip,ALPS,ROHM,Xilinx,Pulse,ON,Everlight and Freescale. Main products comprise IC,Modules,Potentiometer,IC Socket,Relay,Connector.Our parts cover such applications as commercial,industrial, and automotives areas.

We are looking forward to setting up business relationship with you and hope to provide you with the best service and solution. Let us make a better world for our industry!



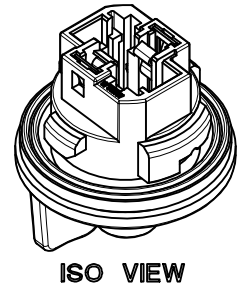
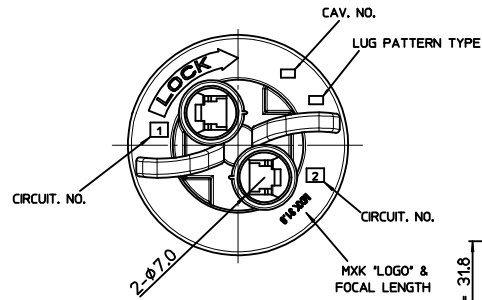
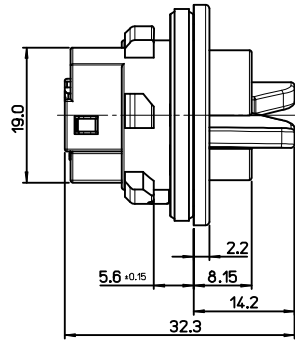
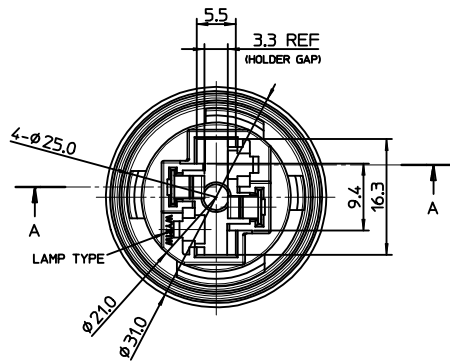
## Contact us

Tel: +86-755-8981 8866 Fax: +86-755-8427 6832

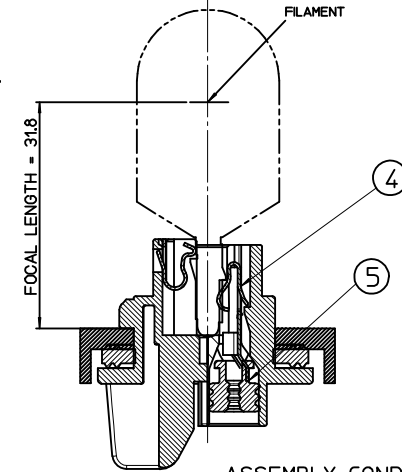
Email & Skype: info@chipsmall.com Web: www.chipsmall.com

Address: A1208, Overseas Decoration Building, #122 Zhenhua RD., Futian, Shenzhen, China





ISO VIEW



ASSEMBLY CONDITION

<NOTE>

1. APPLICABLE LAMP : WY21W(T20)
2. PANEL THICKNESS : 3.0mm ±0.1
3. MATES WITH

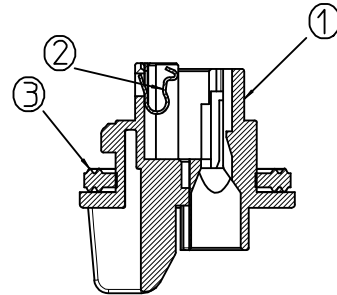
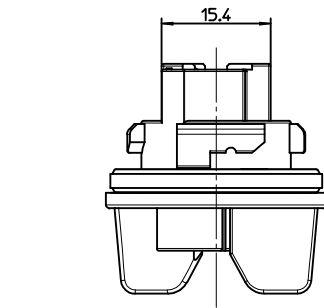
NO.	DESCRIPTION	MATERIAL	PART NO.	WIRE RANGE
④	SINGLE TERMINAL	BRASS	49869-9702	0.5~0.85mm <sup>2</sup>
⑤	WIRE SEAL - S	SILICONE	49454-9002	1.8~2.2mm(IN.S. DIA.)

<PARTS LIST>

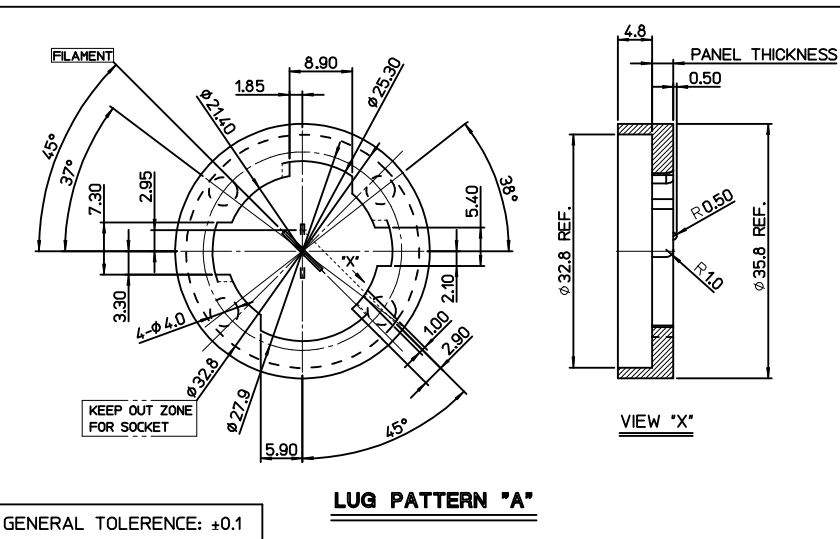
NO.	DESCRIPTION	MATERIAL	USAGE	REMARK
①	T20 BULB SOCKET	NYLON46, GF 30%	1	BROWN
②	LAMP HOLDER	SUS	2	UNPLATED
③	FLOOR SEAL	SILICONE	1	WHITE

<TABLE 1>

MATERIAL NO.	ORDER NO.	COLOR
1041330227	104133-0227	BROWN



SECTION A-A



LUG PATTERN "A"

GENERAL TOLERANCE: ±0.1

VIEW "X"

REV	DESCRIPTION	QUALITY SYMBOLS	GENERAL TOLERANCES (UNLESS SPECIFIED)		DIMENSION STYLE		SCALE	DESIGN UNITS	TITLE	SHEET NO.
			mm	INCH	MM ONLY	MM ONLY				
A	NEW RELEASE EC NO: KIR2013-0011 DRAWN: HMINOON 2013/08/28 CHKD: BCYOON 2013/08/28 APPR:	▽=0 ▽=0	± ---	± ---	SMKIM	DATE 2009/03/17	TITLE WY21W(T20) SEALED WEDGE BULB SOCKET 2P	1 OF 1		
			± 0.2	± ---	BCYOON	DATE 2009/03/17				
			± 0.30	± ---	APPROVED BY JYCHOI	DATE 2013/09/04				
			ANGULAR ± 1°		MATERIAL NO.	DOCUMENT NO.				
			DRAFT WHERE APPLICABLE MUST REMAIN WITHIN DIMENSIONS		SEE TABLE 1	SD-104133-002				
			THIS DRAWING CONTAINS INFORMATION THAT IS PROPRIETARY TO MOLEX INCORPORATED AND SHOULD NOT BE USED WITHOUT WRITTEN PERMISSION							