



Chipsmall Limited consists of a professional team with an average of over 10 year of expertise in the distribution of electronic components. Based in Hongkong, we have already established firm and mutual-benefit business relationships with customers from,Europe,America and south Asia,supplying obsolete and hard-to-find components to meet their specific needs.

With the principle of “Quality Parts,Customers Priority,Honest Operation,and Considerate Service”,our business mainly focus on the distribution of electronic components. Line cards we deal with include Microchip,ALPS,ROHM,Xilinx,Pulse,ON,Everlight and Freescale. Main products comprise IC,Modules,Potentiometer,IC Socket,Relay,Connector.Our parts cover such applications as commercial,industrial, and automotives areas.

We are looking forward to setting up business relationship with you and hope to provide you with the best service and solution. Let us make a better world for our industry!



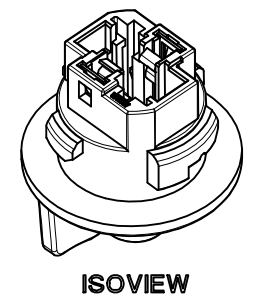
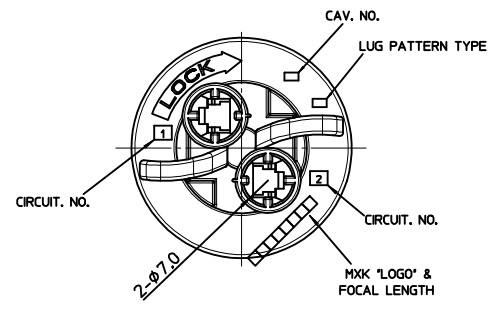
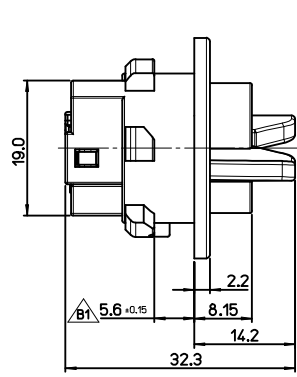
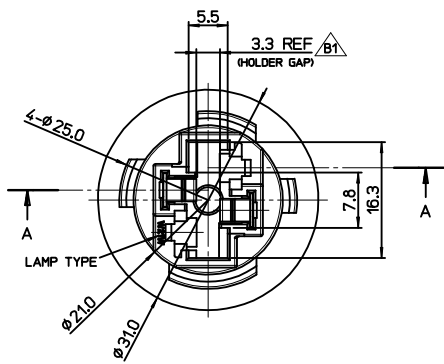
Contact us

Tel: +86-755-8981 8866 Fax: +86-755-8427 6832

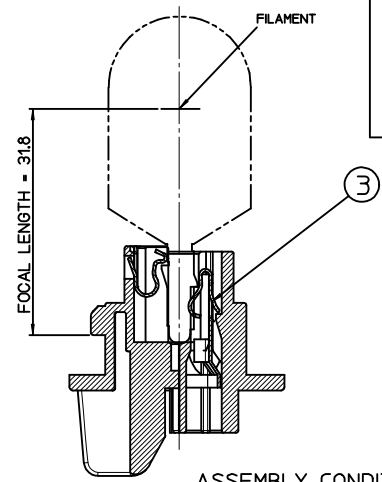
Email & Skype: info@chipsmall.com Web: www.chipsmall.com

Address: A1208, Overseas Decoration Building, #122 Zhenhua RD., Futian, Shenzhen, China

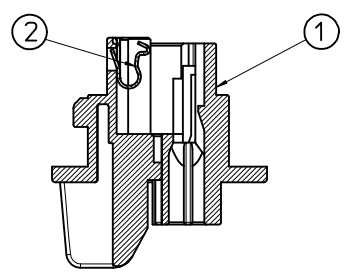
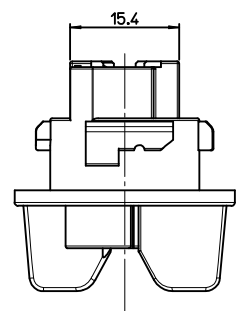




ISOVIEW



ASSEMBLY CONDITION



SECTION A-A

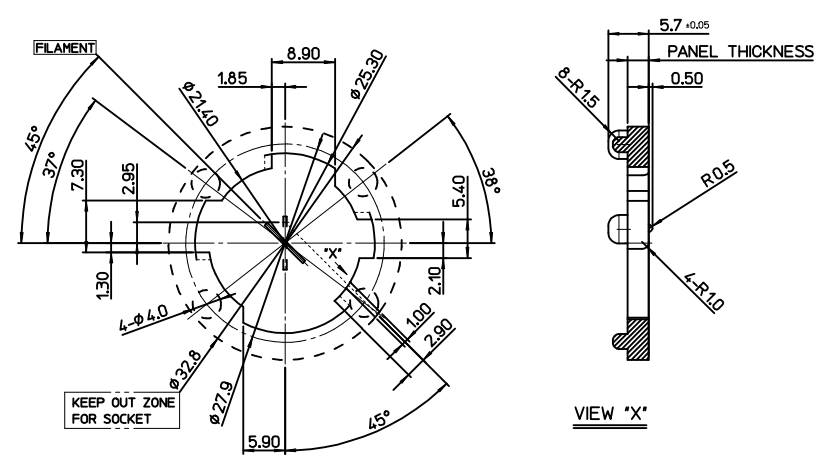
<NOTE>

1. APPLICABLE LAMP : W21W(T20)
2. PANEL THICKNESS : 3.0mm ±0.1
3. MATES WITH

NO.	DESCRIPTION	MATERIAL	PART NO.	WIRE RANGE
③	SINGLE TERMINAL	BRASS	49869-9102	0.5~0.85mm ²

<PARTS LIST>

NO.	DESCRIPTION	MATERIAL	USAGE	REMARK
①	T20 BULB SOCKET	NYLON46, GF 30%	1	BLACK
			1	GRAY
②	LAMP HOLDER	SUS	2	UNPLATED



VIEW "X"

LUG PATTERN "B"

GENERAL TOLERANCE: ±0.1

MATERIAL NO.	ORDER NO.	COLOR
1041340211	104134-0211	BLACK
1041340215	104134-0215	GRAY

CHANGED DIMS & ADDED COLOR EC NO: KTR2012-0067 DRWN:HM00N 2012/05/03 CHKD:HM00N 2012/05/03 APPR:	QUALITY SYMBOLS ▽=0 ▽=0	GENERAL TOLERANCES (UNLESS SPECIFIED)	DIMENSION STYLE MM ONLY	SCALE 2:1	DESIGN UNITS METRIC	THIRD ANGLE PROJECTION
		DRAWN BY SMK1M	DATE 2009/03/17	TITLE W21W UNSEALED WEDGE BULB SOCKET 2P		
		CHECKED BY BCY00N	DATE 2009/03/17	MATERIAL NO. DOCUMENT NO. SEE TABLE 1 SD-104134-001		
		APPROVED BY DC_LISLE	DATE 2012/06/29	SHEET NO. 1 OF 1		
DRAFT WHERE APPLICABLE MUST REMAIN WITHIN DIMENSIONS		THIS DRAWING CONTAINS INFORMATION THAT IS PROPRIETARY TO MOLEX INCORPORATED AND SHOULD NOT BE USED WITHOUT WRITTEN PERMISSION				