



Chipsmall Limited consists of a professional team with an average of over 10 year of expertise in the distribution of electronic components. Based in Hongkong, we have already established firm and mutual-benefit business relationships with customers from,Europe,America and south Asia,supplying obsolete and hard-to-find components to meet their specific needs.

With the principle of "Quality Parts,Customers Priority,Honest Operation,and Considerate Service",our business mainly focus on the distribution of electronic components. Line cards we deal with include Microchip,ALPS,ROHM,Xilinx,Pulse,ON,Everlight and Freescale. Main products comprise IC,Modules,Potentiometer,IC Socket,Relay,Connector.Our parts cover such applications as commercial,industrial, and automotives areas.

We are looking forward to setting up business relationship with you and hope to provide you with the best service and solution. Let us make a better world for our industry!



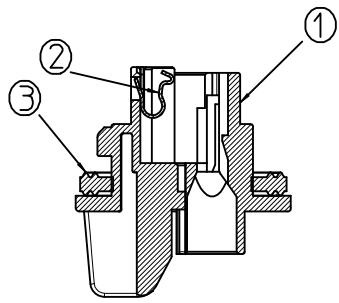
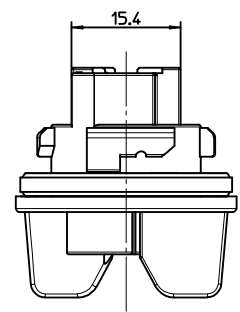
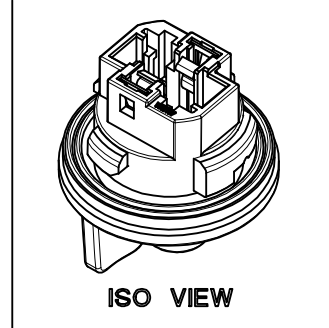
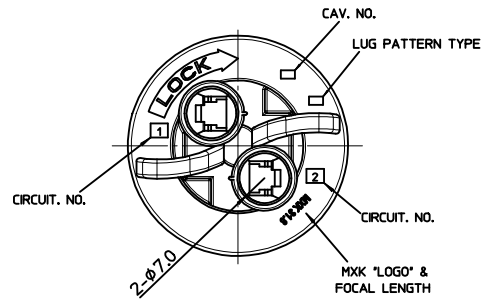
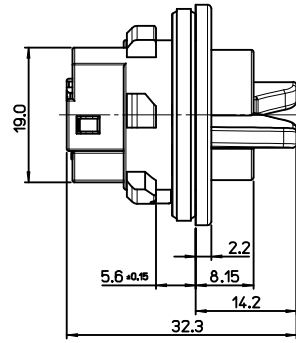
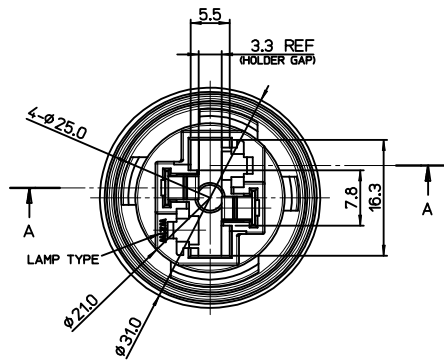
## Contact us

Tel: +86-755-8981 8866 Fax: +86-755-8427 6832

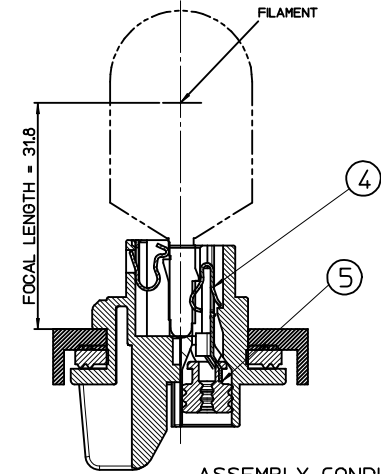
Email & Skype: info@chipsmall.com Web: www.chipsmall.com

Address: A1208, Overseas Decoration Building, #122 Zhenhua RD., Futian, Shenzhen, China





SECTION A-A



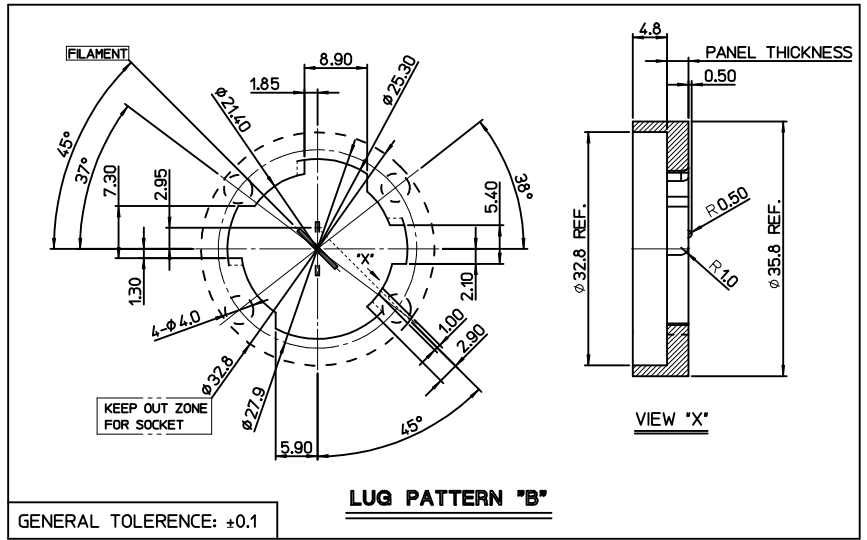
ASSEMBLY CONDITION

- <NOTE>  
 1. APPLICABLE LAMP : W21W(T20)  
 2. PANEL THICKNESS : 3.0mm ±0.1  
 3. MATES WITH

NO.	DESCRIPTION	MATERIAL	PART NO.	WIRE RANGE
④	SINGLE TERMINAL	BRASS	49869-9702	0.5~0.85mm <sup>2</sup>
⑤	WIRE SEAL - S	SILICONE	49454-9002	1.8~2.2mm(INS. DIA.)

<PARTS LIST>

NO.	DESCRIPTION	MATERIAL	USAGE	REMARK
①	T20 BULB SOCKET	NYLON46, GF 30%	1	BLACK
②	LAMP HOLDER	SUS	2	UNPLATED
③	FLOOR SEAL	SILICONE	1	WHITE



LUG PATTERN "B"

GENERAL TOLERANCE: ±0.1

<TABLE 1>

MATERIAL NO.	ORDER NO.	COLOR
1041340221	104134-0221	BLACK

<b>NEW RELEASE</b> EC NO: KTR2013-0011 DRWN:HI MOON 2013/08/28 CHKD:BC YOON 2013/08/28 APPR:JYCHOI 2013/09/04	QUALITY SYMBOLS ▽=0 ▽=0	GENERAL TOLERANCES (UNLESS SPECIFIED)		DIMENSION STYLE <b>MM ONLY</b>		SCALE	DESIGN UNITS	TITLE <b>W21W(T20) SEALED WEDGE BULB SOCKET 2P</b>
		4 PLACES ± --- ± ---	mm	INCH	DRAWN BY	DATE	TITLE	
		3 PLACES ± 0 ± ---			SMK IM	2009/03/17		
		2 PLACES ± 0.2 ± ---			CHECKED BY	DATE		
		1 PLACE ± 0.30 ± ---				BC YOON	2009/03/17	
		ANGULAR ± 1°				APPROVED BY	DATE	
						JYCHOI	2013/09/04	
DRAFT WHERE APPLICABLE MUST REMAIN WITHIN DIMENSIONS		SEE TABLE 1		MATERIAL NO.		DOCUMENT NO.		SHEET NO.
		SIZE <b>A 2</b>		THIS DRAWING CONTAINS INFORMATION THAT IS PROPRIETARY TO MOLEX INCORPORATED AND SHOULD NOT BE USED WITHOUT WRITTEN PERMISSION				1 OF 00