



Chipsmall Limited consists of a professional team with an average of over 10 year of expertise in the distribution of electronic components. Based in Hongkong, we have already established firm and mutual-benefit business relationships with customers from,Europe,America and south Asia,supplying obsolete and hard-to-find components to meet their specific needs.

With the principle of “Quality Parts,Customers Priority,Honest Operation,and Considerate Service”,our business mainly focus on the distribution of electronic components. Line cards we deal with include Microchip,ALPS,ROHM,Xilinx,Pulse,ON,Everlight and Freescale. Main products comprise IC,Modules,Potentiometer,IC Socket,Relay,Connector.Our parts cover such applications as commercial,industrial, and automotives areas.

We are looking forward to setting up business relationship with you and hope to provide you with the best service and solution. Let us make a better world for our industry!



Contact us

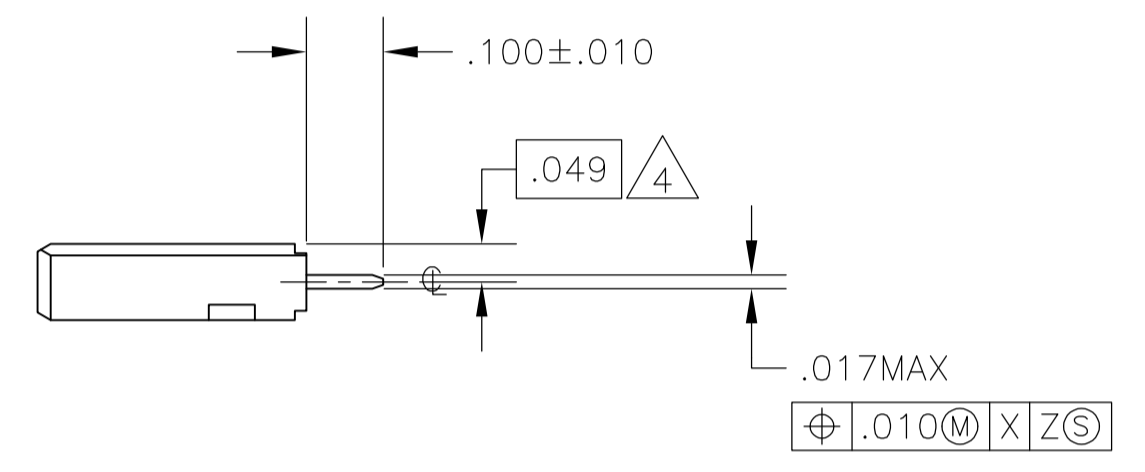
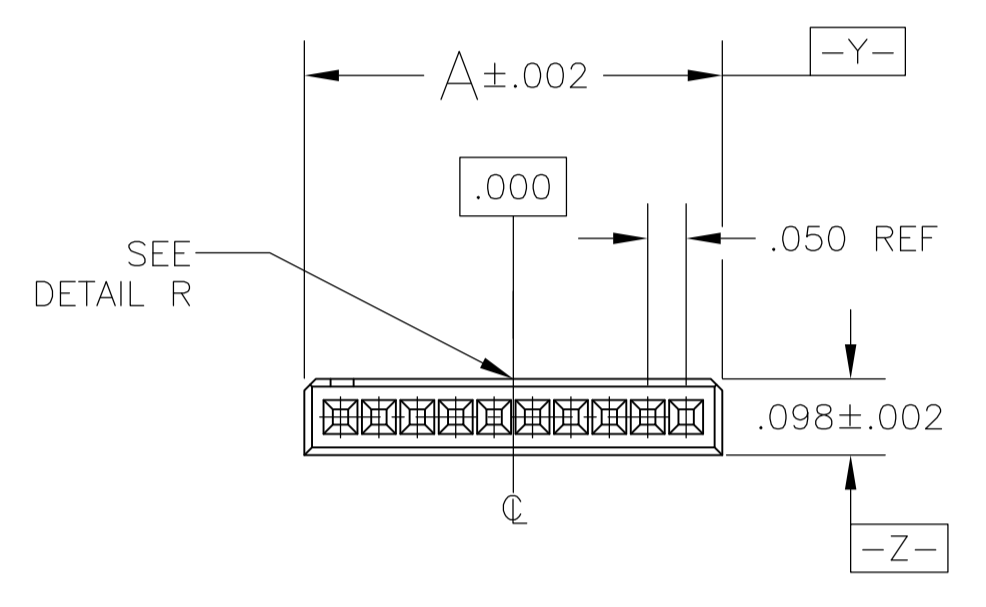
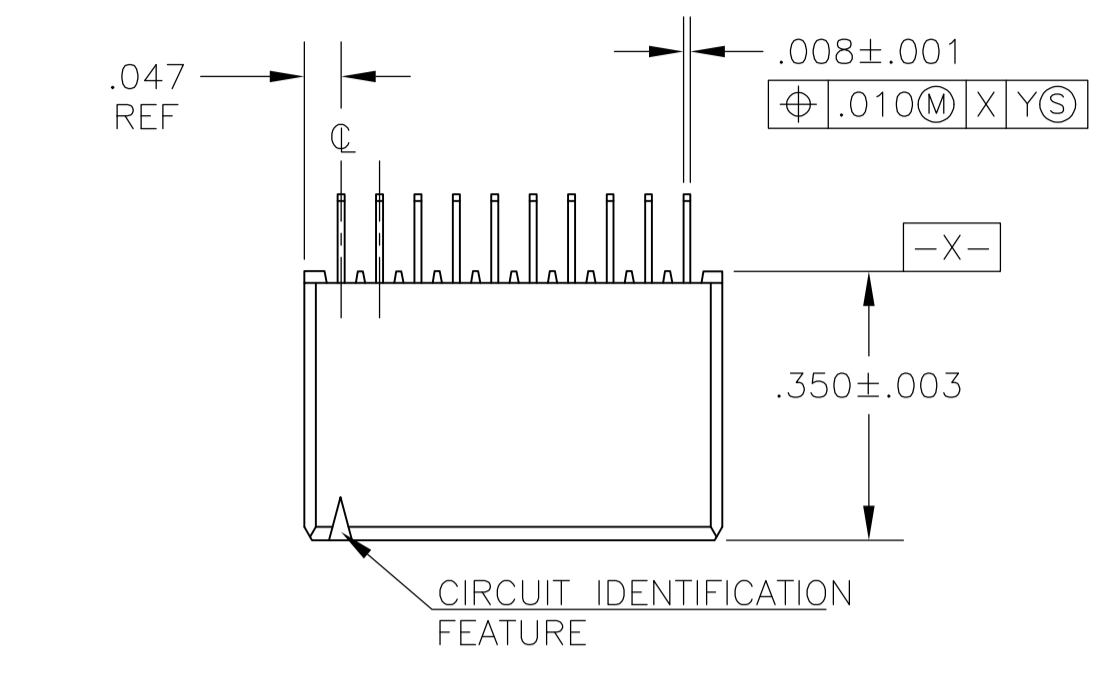
Tel: +86-755-8981 8866 Fax: +86-755-8427 6832

Email & Skype: info@chipsmall.com Web: www.chipsmall.com

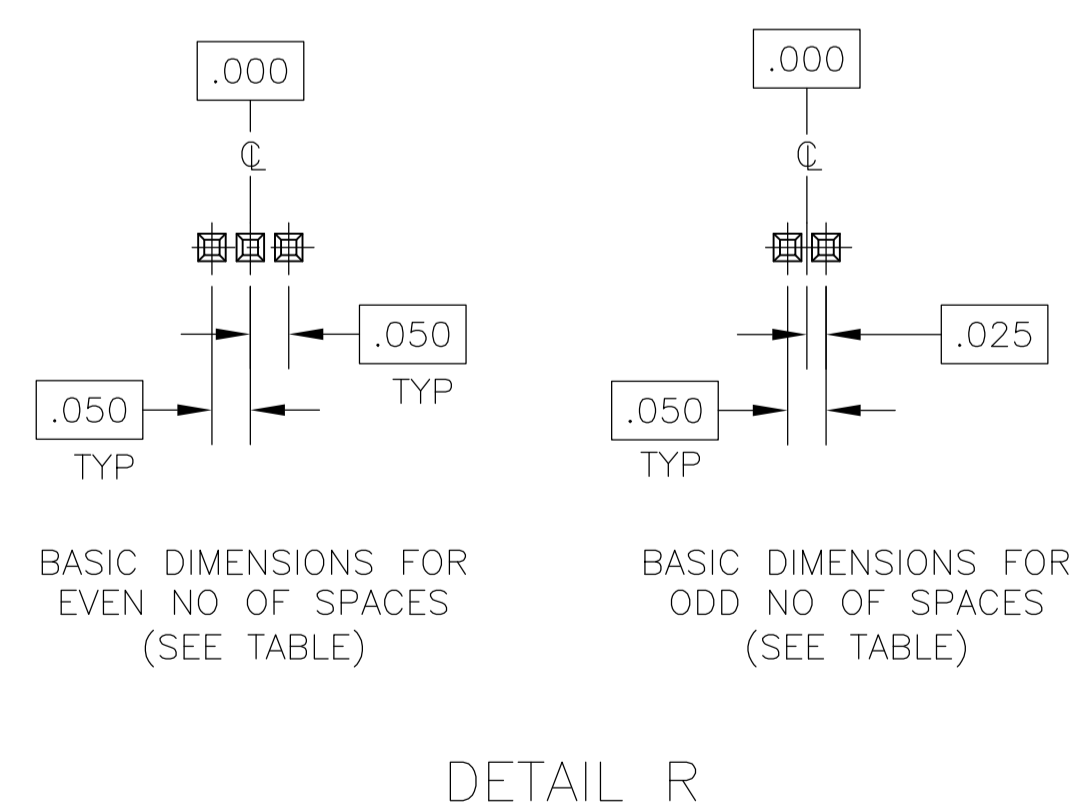
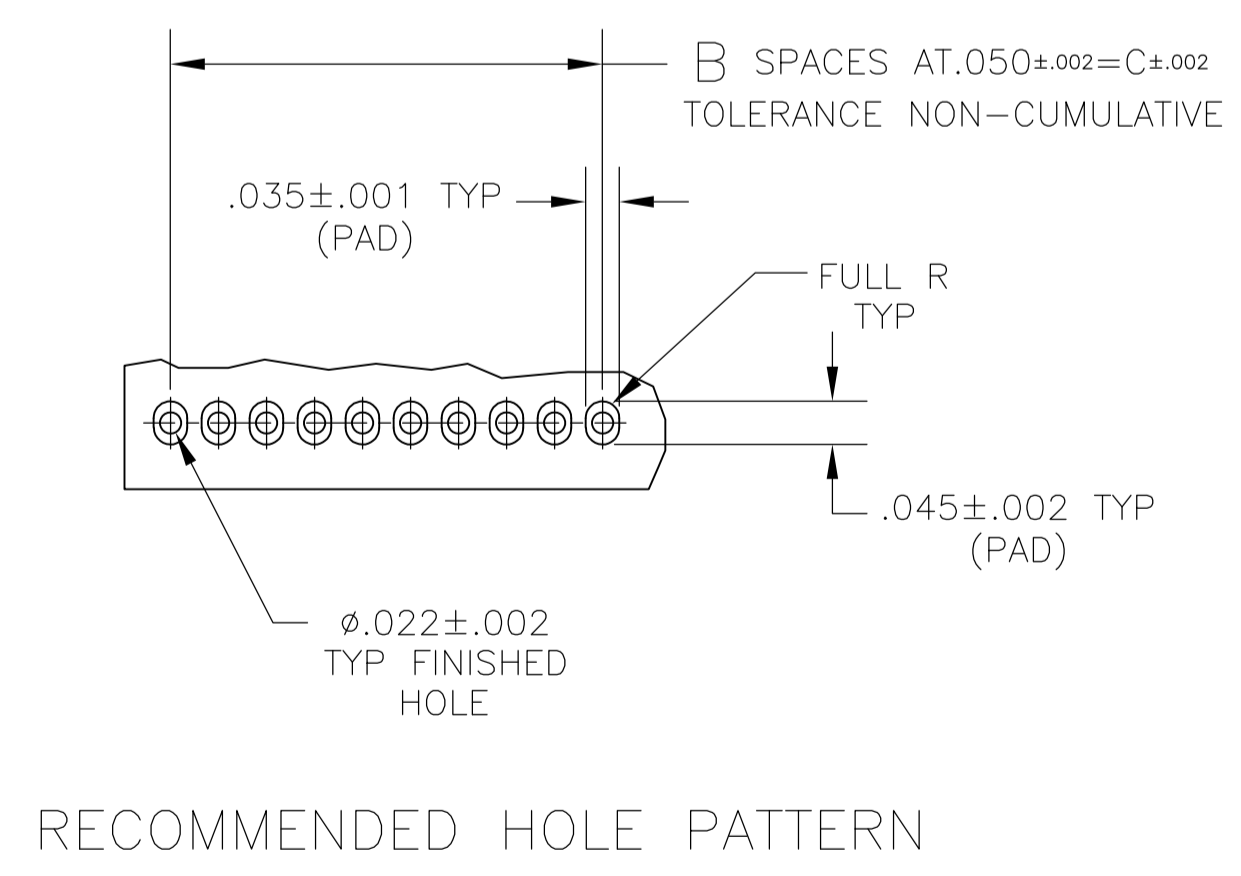
Address: A1208, Overseas Decoration Building, #122 Zhenhua RD., Futian, Shenzhen, China



LOC		DIST		REVISIONS			
P	LTR	DESCRIPTION	DATE	DN	APVD		
S1		REVISED PER ECO-09-020774	27AUG09	KK	AEG		



- 1 CONTACT AREAS PLATED WITH .000030 GOLD,SOLDER TAILS PLATED WITH .000150 TIN-LEAD,ALL OVER .000050 NICKEL
- 2 POINT OF MEASUREMENT FOR GOLD THICKNESS IS .030 FROM MATING END OF CONTACT
- 3 PRELIMINARY PART - NOT RELEASED FOR PRODUCTION.
- 4 THE NOTED DIMENSIONS APPLY AT THE INTERSECTION OF THE POST AND HOUSING.
- 5 CONTACT AREAS PLATED WITH .000030 GOLD,SOLDER TAILS PLATED WITH .000150 TIN,ALL OVER .000050 NICKEL
- 6 OBSOLETE PARTS: OBSOLETE CIS STREAMLINING PER D.RENAUD/D.SINISI



6	OBSOLETE	1.250	25	1.344	26	6-104192-0
6	OBSOLETE	.600	13	.694	13	5-104192-9
6	OBSOLETE	.200	4	.294	5	5-104192-8
6	OBSOLETE	1.450	29	1.544	30	5-104192-7
6	OBSOLETE	1.200	24	1.294	25	5-104192-6
6	OBSOLETE	.950	19	1.044	20	5-104192-5
6	OBSOLETE	.700	14	.794	15	5-104192-4
6	OBSOLETE	.550	11	.644	12	5-104192-3
6	OBSOLETE	.450	9	.544	10	5-104192-2
6	OBSOLETE	.350	7	.444	8	5-104192-1
3	OBSOLETE	1.250	25	1.344	26	1-104192-0
1	OBSOLETE	.600	13	.694	13	104192-9
1	OBSOLETE	.200	4	.294	5	104192-8
1	OBSOLETE	1.450	29	1.544	30	104192-7
1	OBSOLETE	1.200	24	1.294	25	104192-6
1	OBSOLETE	.950	19	1.044	20	104192-5
1	OBSOLETE	.700	14	.794	15	104192-4
1	OBSOLETE	.550	11	.644	12	104192-3
1	OBSOLETE	.450	9	.544	10	104192-2
1	OBSOLETE	.350	7	.444	8	104192-1

THIS DRAWING IS A CONTROLLED DOCUMENT.

DIMENSIONS: INCHES	TOLERANCES UNLESS OTHERWISE SPECIFIED:	DIN D. CLOUSER 030CT88	030CT88	Tyco Electronics Corporation Harrisburg, PA 17105-3608
0 PLC ± -	1 PLC ± -	030CT88	030CT88	Tyco Electronics
2 PLC ± -	3 PLC ± .005	030CT88	030CT88	
4 PLC ± -	ANGLES ± -	APVD T. ZOLA		NAME
MATERIAL: HOUSING: THERMOPLASTIC COLOR: BLACK POST: COPPER ALLOY		FINISH: SEE DETAIL 2		RECEPTACLE ASSEMBLY, VERTICAL, SINGLE ROW, AMPMODU System 50
WEIGHT: -		SIZE: A1		104192
CUSTOMER DRAWING		SCALE: 4:1		SHEET 1 OF 1 REV S1