



Chipsmall Limited consists of a professional team with an average of over 10 year of expertise in the distribution of electronic components. Based in Hongkong, we have already established firm and mutual-benefit business relationships with customers from,Europe,America and south Asia,supplying obsolete and hard-to-find components to meet their specific needs.

With the principle of "Quality Parts,Customers Priority,Honest Operation,and Considerate Service",our business mainly focus on the distribution of electronic components. Line cards we deal with include Microchip,ALPS,ROHM,Xilinx,Pulse,ON,Everlight and Freescale. Main products comprise IC,Modules,Potentiometer,IC Socket,Relay,Connector.Our parts cover such applications as commercial,industrial, and automotives areas.

We are looking forward to setting up business relationship with you and hope to provide you with the best service and solution. Let us make a better world for our industry!



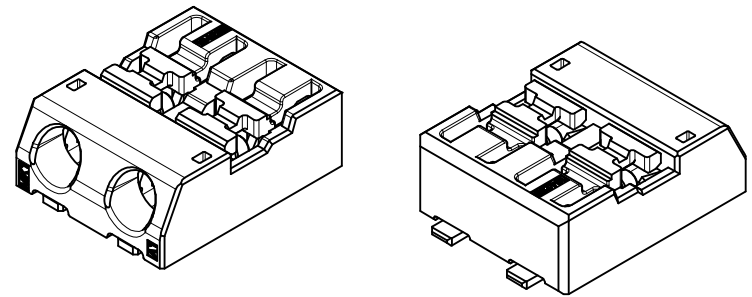
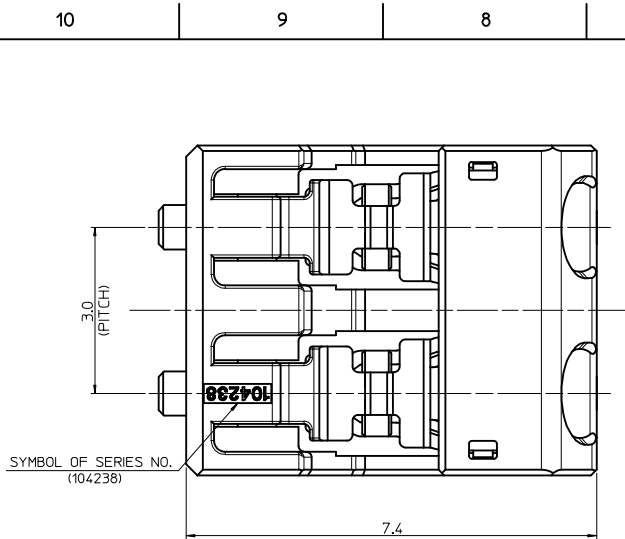
## Contact us

Tel: +86-755-8981 8866 Fax: +86-755-8427 6832

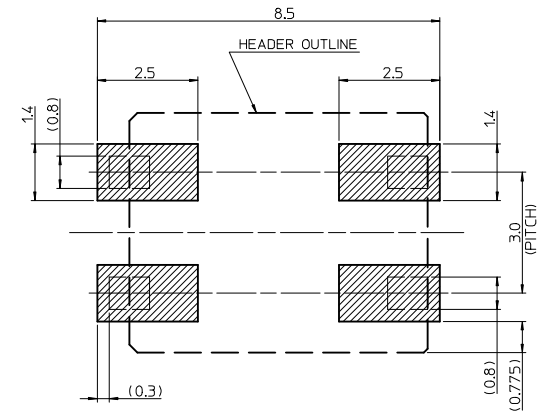
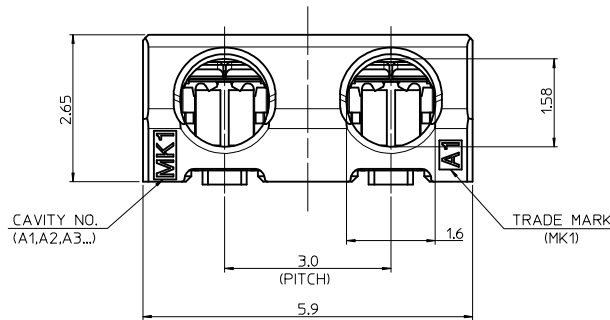
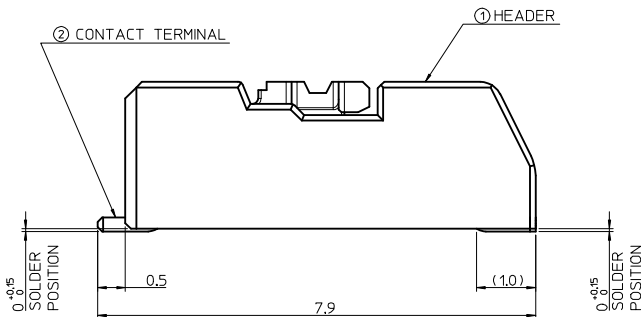
Email & Skype: info@chipsmall.com Web: www.chipsmall.com

Address: A1208, Overseas Decoration Building, #122 Zhenhua RD., Futian, Shenzhen, China





ISOMETRIC VIEW  
(Scale 7/1)

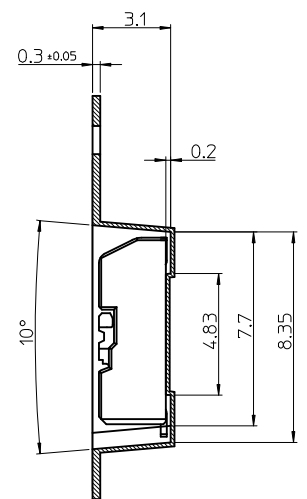
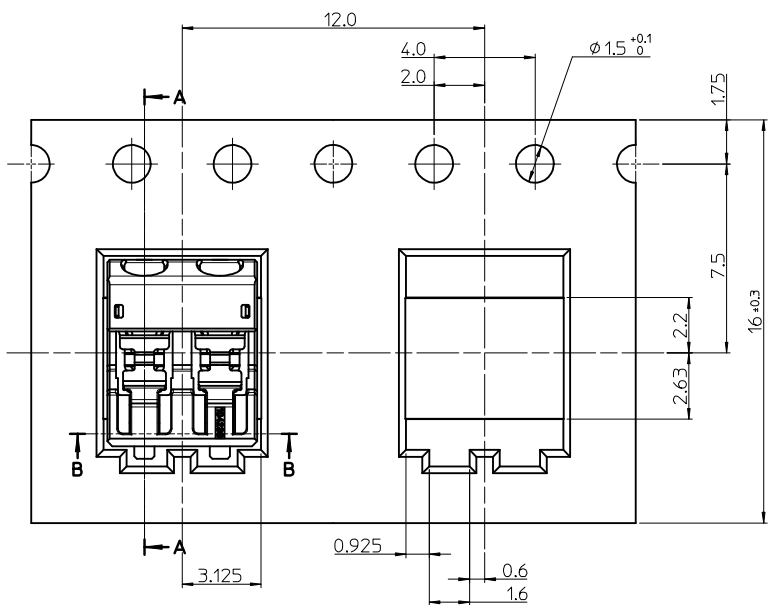


RECOMMENDED PCB LAY OUT  
(GENERAL TOLERANCE : ±0.05)

NOTE

1. MATERIAL
  - ① - HEADER : LCP, GLASS FILLED, UL94V-0 HALOGEN FREE, COLOR OF NATURAL
  - ② - CONTACT TERMINAL : COPPER-ALLOY, 0.25mm THICKNESS
2. PLATING
  - CONTACT TERMINAL : TIN -PLATED 0.8μm MINIMUM TIN PLATING
3. PRODUCT SPECIFICATION : PS-104238-001
4. PACKAGING SPECIFICATION : PK-104238-001
5. COPLANALITY OF SOLDER TAILS (PEAK TEMP. : 260°C), BEFORE & AFTER REFLOW : 0.08 MAX.
6. APPLICABLE SOLID WIRE RANGE :
  - (OUTSIDE WIRE INSULATION : 1.48mm DIAMETER MAX.)
  - SOLID WIRE : AWG #26~#22

RELEASED EC NO: KOR2015-0096 DRWN: SCHONG03 2015/01/12 CHKD: SHCHU 2015/01/12 APPR: YSK1M02 2015/03/30	DESCRIPTION A	QUALITY SYMBOLS	GENERAL TOLERANCES (UNLESS SPECIFIED)	DIMENSION STYLE	SCALE	DESIGN UNITS	THIRD ANGLE PROJECTION																		
		$\nabla=0$ $\nabla=0$	<table border="1"> <thead> <tr> <th></th> <th>mm</th> <th>INCH</th> </tr> </thead> <tbody> <tr> <td>4 PLACES</td> <td>± ---</td> <td>± ---</td> </tr> <tr> <td>3 PLACES</td> <td>± ---</td> <td>± ---</td> </tr> <tr> <td>2 PLACES</td> <td>± 0.15</td> <td>± ---</td> </tr> <tr> <td>1 PLACE</td> <td>± 0.20</td> <td>± ---</td> </tr> <tr> <td>0 PLACE</td> <td>± ---</td> <td>± ---</td> </tr> </tbody> </table>		mm	INCH	4 PLACES	± ---	± ---	3 PLACES	± ---	± ---	2 PLACES	± 0.15	± ---	1 PLACE	± 0.20	± ---	0 PLACE	± ---	± ---	MM ONLY	11:1	METRIC	
			mm	INCH																					
		4 PLACES	± ---	± ---																					
3 PLACES	± ---	± ---																							
2 PLACES	± 0.15	± ---																							
1 PLACE	± 0.20	± ---																							
0 PLACE	± ---	± ---																							
DRAFT WHERE APPLICABLE MUST REMAIN WITHIN DIMENSIONS	<table border="1"> <thead> <tr> <th>DRAWN BY</th> <th>DATE</th> <th>TITLE</th> </tr> </thead> <tbody> <tr> <td>SCHONG03</td> <td>2015/01/12</td> <td rowspan="4">MINI LITE-TRAP CONNECTOR HEADER ASS'Y -2P</td> </tr> <tr> <td>CHECKED BY</td> <td>DATE</td> </tr> <tr> <td>SHCHU</td> <td>2015/01/12</td> </tr> <tr> <td>APPROVED BY</td> <td>DATE</td> </tr> <tr> <td>YSK1M02</td> <td>2015/03/30</td> <td></td> </tr> </tbody> </table>	DRAWN BY	DATE	TITLE	SCHONG03	2015/01/12	MINI LITE-TRAP CONNECTOR HEADER ASS'Y -2P	CHECKED BY	DATE	SHCHU	2015/01/12	APPROVED BY	DATE	YSK1M02	2015/03/30		<table border="1"> <tr> <td>MATERIAL NO.</td> <td>DOCUMENT NO.</td> <td>SHEET NO.</td> </tr> <tr> <td>1042380210</td> <td>SD-104238-003</td> <td>1 OF 1</td> </tr> </table>	MATERIAL NO.	DOCUMENT NO.	SHEET NO.	1042380210	SD-104238-003	1 OF 1		
DRAWN BY	DATE	TITLE																							
SCHONG03	2015/01/12	MINI LITE-TRAP CONNECTOR HEADER ASS'Y -2P																							
CHECKED BY	DATE																								
SHCHU	2015/01/12																								
APPROVED BY	DATE																								
YSK1M02	2015/03/30																								
MATERIAL NO.	DOCUMENT NO.	SHEET NO.																							
1042380210	SD-104238-003	1 OF 1																							
		THIS DRAWING CONTAINS INFORMATION THAT IS PROPRIETARY TO MOLEX INCORPORATED AND SHOULD NOT BE USED WITHOUT WRITTEN PERMISSION																							

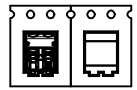


Section A-A

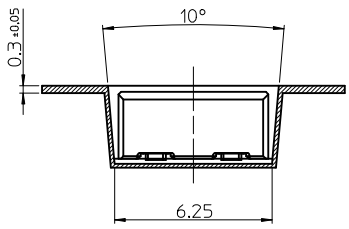
NOTES

1. QUANTITY OF CONNECTORS : 2,500 PCS/REEL
2. LEAD LENGTH
3. PEELING OFF FORCE OF COVER TAPE : 0.1N~0.59N(10.2GF~60GF)  
 (PEELING DIRECTION AS SHOW IN FOLLOW FIG.)  
 PEELING OFF SPEED : 300mm/Min.(Ref.)
4. FLASH IN ANY PORTION SHOULD BE LESS THAN 0.20mm MAX.
5. UNLESS OTHERWISE SPECIFIED INNER R0.2 MAX

PULL OUT DIRECTION →



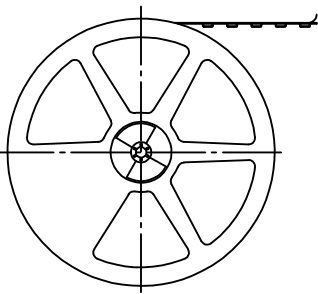
PULL OUT DIRECTION →



Section B-B

[TABLE]

1042380210	104238-0210	NATURAL	16.0mm	104238-9002
MATERIAL NO.	NO.	COLOR	TAPE WIDTH	EMBOSS TAPE
	CONNECTOR			



PLASTIC BOBBIN

RELEASED EC NO: KOR2015-0074 DRWN: SCHONG03 2014/12/10 CHKD: SHCHU 2014/12/10 APPR: YSKI M02 2014/12/11	QUALITY SYMBOLS ▽=0 □=0	GENERAL TOLERANCES (UNLESS SPECIFIED)		DIMENSION STYLE MM ONLY		SCALE 5:1	DESIGN UNITS METRIC	THIRD ANGLE PROJECTION	
			mm	INCH	DRAWN BY	DATE	TITLE		
		4 PLACES	± ---	± ---	SCHONG03	2014/12/10	MINI S-POKE CONN. -2P		
		3 PLACES	± ---	± ---	CHECKED BY	DATE	MINI LITE TRAP CONN.2CKT		
	± 0.15	± ---	SHCHU	2014/12/10	EMBOSS PACKAGE				
	± 0.20	± ---	APPROVED BY	DATE	<b>molex</b>				
1 PLACE	± 0.20	± ---	YSKI M02	2014/12/11					
0 PLACE	± ---	± ---	MATERIAL NO.		DOCUMENT NO.		SHEET NO.		
	ANGULAR ± 1 °		1042380210		SD-104238-004		1 OF 1		
DRAFT WHERE APPLICABLE MUST REMAIN WITHIN DIMENSIONS		SIZE A3		THIS DRAWING CONTAINS INFORMATION THAT IS PROPRIETARY TO MOLEX INCORPORATED AND SHOULD NOT BE USED WITHOUT WRITTEN PERMISSION					