



Chipsmall Limited consists of a professional team with an average of over 10 year of expertise in the distribution of electronic components. Based in Hongkong, we have already established firm and mutual-benefit business relationships with customers from,Europe,America and south Asia,supplying obsolete and hard-to-find components to meet their specific needs.

With the principle of "Quality Parts,Customers Priority,Honest Operation,and Considerate Service",our business mainly focus on the distribution of electronic components. Line cards we deal with include Microchip,ALPS,ROHM,Xilinx,Pulse,ON,Everlight and Freescale. Main products comprise IC,Modules,Potentiometer,IC Socket,Relay,Connector.Our parts cover such applications as commercial,industrial, and automotives areas.

We are looking forward to setting up business relationship with you and hope to provide you with the best service and solution. Let us make a better world for our industry!



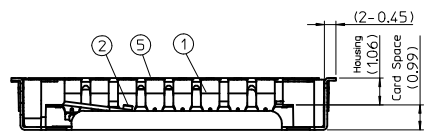
Contact us

Tel: +86-755-8981 8866 Fax: +86-755-8427 6832

Email & Skype: info@chipsmall.com Web: www.chipsmall.com

Address: A1208, Overseas Decoration Building, #122 Zhenhua RD., Futian, Shenzhen, China

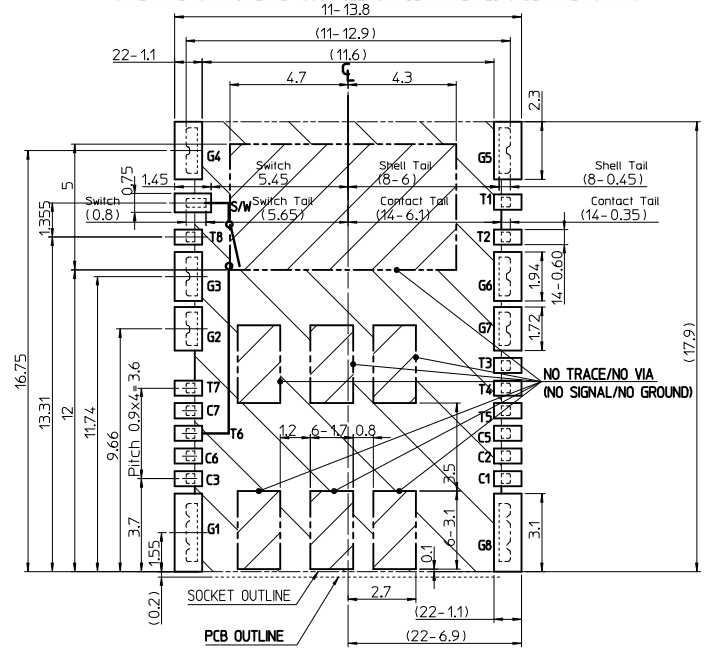
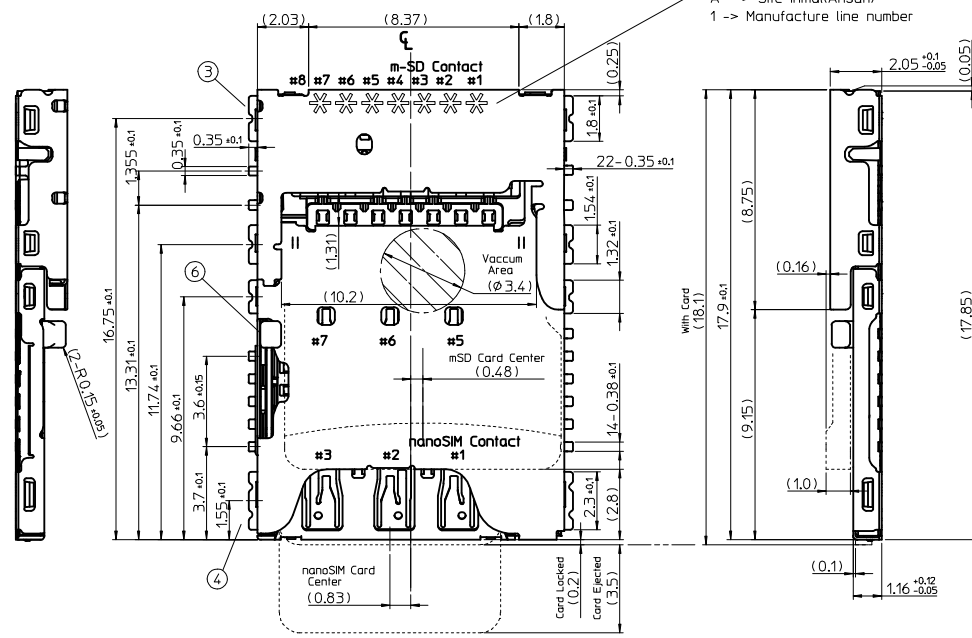




-DATE CODE-
 example: 1415187M
 M -> Molex initial
 4 -> Year(2014)
 B -> Month(November) 1, ..., A, B, C
 15 -> Date(15th)
 A -> Site initial(Ansan)
 1 -> Manufacture line number

NO PATTERN AREA : ALL SOCKET SPACES(HATCHING AREA) WITHOUT SOLDER PATTERN

IF YOU WANT TO MINIMIZE THIS NO PATTERN AREA, THE 7 BOXES MUST BE AVOID THE PATTERNING TRACE/NO VIA, BECAUSE, THOSE ARE CONTACT TERMINAL'S MOVING AREA. OTHER AREA(STATIC METAL TOUCHABLE) CAN BE PATTERNED UNDER THE PSR INK.



[nanoSIM CARD PIN-MAP]

PIN NO.	DESCRIPTION
C1	Vcc(Supply V)
C2	RST(Reset)
C3	CLK(Clock)
(C4)	NONE
C5	GND
C6	Vpp(Program V)
C7	I/O
(C8)	NONE

* This product has no C4, C8 Contact and Switch terminal for SIM Card

G1-G8	GND
-------	-----

[microSD CARD PIN-MAP]

PIN NO.	DESCRIPTION
T1	DAT2
T2	CD/DAT3 ²
T3	CMD
T4	V _{DD}
T5	CLK
T6	V _{SS} (GND)
T7	DAT0
T8	DAT1

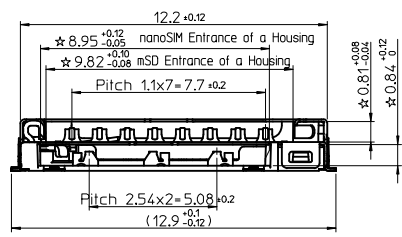
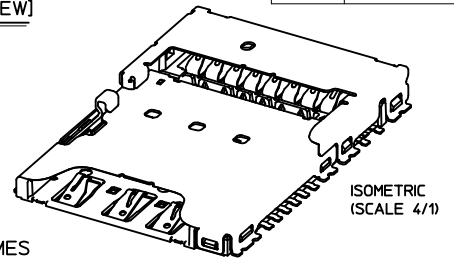
S/W	CARD DETECTOR
-----	---------------

NOTES

1. MATERIALS: SEE TABLE
2. FINISHES: SEE TABLE
3. MATES WITH
 - UPPER: microSD Card
 - LOWER: nano SIM(UICC 4FF) Card
4. PRODUCT SPECIFICATIONS: PS-104239-301
5. PACKING SPECIFICATIONS: SPK-104239-301
6. COPLANARITY OF SOLDER TAILS: 0.08mm MAX. BEFORE & AFTER 260°C REFLOW 2TIMES
7. REFERENCE CARD DIMENSIONS ARE WITH STANDARD DIMENSION CARD
8. CUSTOMER'S CTF DIMENSION(☆) IS EQUAL TO MOLEX MAJOR QUALITY SYMBOL(▼)

RECOMMENDED PCB LAYOUT [FRONT VIEW]

(TOLERANCE : ±0.05)



[Circuit diagram for Detection Switch of microSD card]

Card insertion condition	Card detect switch	Circuit
Without Card	Open	
Card insertion	Close	

104239-1430	1042391430
ORDER NO.	MATERIAL NO.

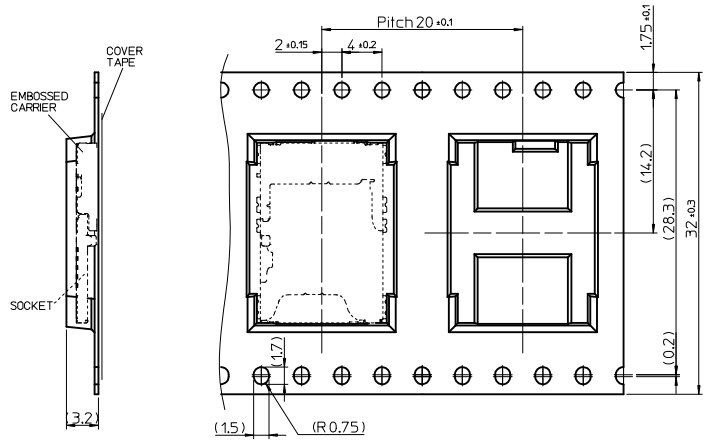
NO.	PARTS NAME	MATERIALS	FINISHES
1	CONTACT TERMINAL(14P)	COPPER ALLOY	CONTACT nanoSIM : GOLD 0.054μm MIN. OVER Pd-Ni 0.34μm MIN. CONTACT mSD : GOLD 0.054μm MIN Pd-Ni 0.24μm MIN. SWITCH : GOLD 0.14μm MIN. (Pd-Ni IS PALLADIUM NICKEL) SOLDERS : GOLD 0.054μm MIN. BASE : NICKEL 1.274μm MIN.
2	SWITCH TERMINAL	PHOSPHOR BRONZE	
3	microSD SHELL	STAINLESS STEEL	BRIGHT NICKEL 1.274μm MIN.
4	nanoSIM SHELL	STAINLESS STEEL	BRIGHT NICKEL 1.274μm MIN.
5	HOUSING	LIQUID CRYSTAL POLYMER	NATURAL(IVORY) COLOR, UL94V-0
6	PULLER	STAINLESS STEEL	NONE

RELEASED	EC NO: KOR2017-0027	2016/11/07	2016/11/07	2016/12/01
DRWN: ICYANG	CHKD: SHCHU			
APPR: YSKIM02				
REV	A1			

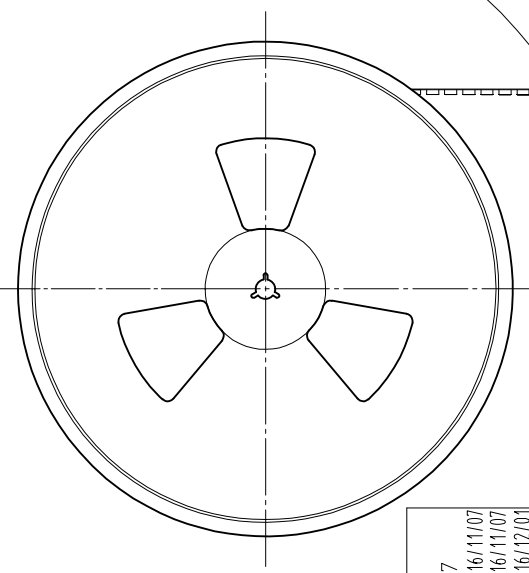
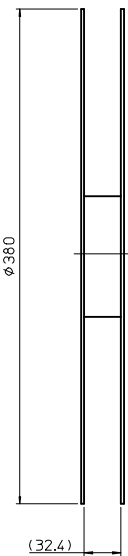
QUALITY SYMBOLS	GENERAL TOLERANCES (UNLESS SPECIFIED)	
	mm	INCH
▼=4	4 PLACES ± ---	± ---
▽=0	3 PLACES ± 0.12	± ---
	2 PLACES ± 0.12	± ---
	1 PLACE ± 0.15	± ---
	0 PLACE ± 0.15	± ---
	ANGULAR ± 1 °	
	DRAFT WHERE APPLICABLE MUST REMAIN WITHIN DIMENSIONS	

DIMENSION STYLE		SCALE	DESIGN UNITS	THIRD ANGLE PROJECTION
MM ONLY		5/1	METRIC	
DRAWN BY	DATE	TITLE		
ICYANG	2014/06/16	COMBO 2.05H PULLER TYPE MICRO SD/NANO SIM 8P6P WITH M-SD S/W		
CHECKED BY	DATE	molex		
	2014/06/16	SD-104239-301		
APPROVED BY	DATE	DOCUMENT NO.		
YSKIM02	2015/10/27	SEE TABLE		
MATERIAL NO.		SHEET NO.		
		1 OF 3		

THIS DRAWING CONTAINS INFORMATION THAT IS PROPRIETARY TO MOLEX INCORPORATED AND SHOULD NOT BE USED WITHOUT WRITTEN PERMISSION



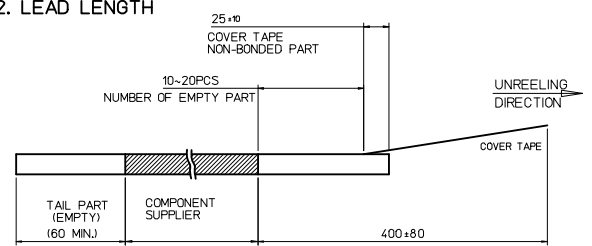
TOP VIEW OF EMBOSSED CARRIER



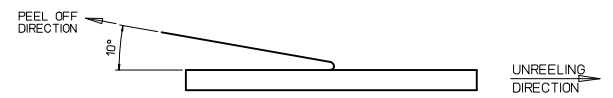
UNREELING OF PRODUCTS DIRECTION

NOTES

1. QUANTITY OF PRODUCTS : 1,500 PCS / 1 REEL
2. LEAD LENGTH



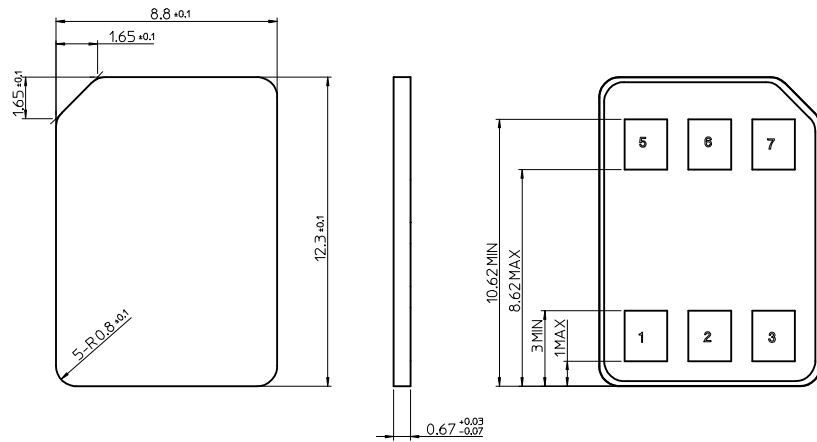
3. PEELING OFF FORCE OF COVER TAPE : 0.1N~0.59N(10.2~60gf)
(PEELING DIRECTION AS BELOW)
- PEELING OFF SPEED : 300mm/Min.(Ref.)



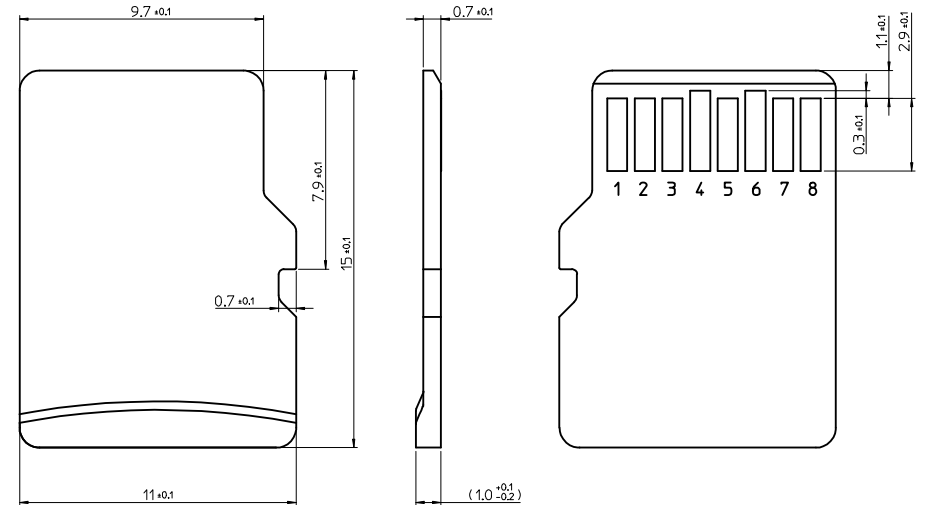
4. MATERIALS OF EMBOSSED CARRIER AND COVER TAPE : PET(POLYETHYLEN TEREPHTHALATE)

SEE SHEET1 EC NO: KOR2017-0027 DRWN: ICYANG 2016/11/07 CHKD: SHCHU 2016/11/07 APPR: YSKIM02 2016/12/01	QUALITY SYMBOLS ▽=0 ▽=0	GENERAL TOLERANCES (UNLESS SPECIFIED)		DIMENSION STYLE MM ONLY	SCALE 2/1	DESIGN UNITS METRIC	THIRD ANGLE PROJECTION	
			mm	INCH	DRAWN BY ICYANG	DATE 2014/06/16	TITLE COMBO 2.05H PULLER TYPE MICRO SD/NANO SIM 8P6P WITH M-SD S/W	
		4 PLACES	± ---	± ---	CHECKED BY	DATE 2014/06/16	molex	
		3 PLACES	± 0.12	± ---	APPROVED BY YSKIM02	DATE 2015/10/27		
	2 PLACES	± 0.12	± ---	MATERIAL NO.	DOCUMENT NO.	SHEET NO.		
	1 PLACE	± 0.15	± ---	SEE SHEET1		SD-104239-301		
	0 PLACE	± 0.15	± ---	THIS DRAWING CONTAINS INFORMATION THAT IS PROPRIETARY TO MOLEX INCORPORATED AND SHOULD NOT BE USED WITHOUT WRITTEN PERMISSION		2 OF 3		
A1	REV	ANGULAR ± 1 °		DRAFT WHERE APPLICABLE MUST REMAIN WITHIN DIMENSIONS				

REFERENCE CARDS DRAWING



nanoSIM CARD



microSD CARD

[Reference Standards]

- . microSD Card Specification Addendum Version 4.00

- . ETSI TS 102 221 V12.0.0, Smart Cards; UICC-Terminal interface; Physical and logical characteristics

SEE SHEET1 IEC NO: KOR2017-0027 DRWN: I CYANG CHKD: SHCHU APPR: YSK IM02	REV DESCRIPTION	QUALITY SYMBOLS	GENERAL TOLERANCES (UNLESS SPECIFIED)	DIMENSION STYLE	SCALE	DESIGN UNITS	THIRD ANGLE PROJECTION	
		▽=0	mm INCH	MM ONLY	5/1	METRIC		
		∇=0	4 PLACES ± --- ± ---	DRAWN BY DATE	TITLE			
			3 PLACES ± 0.12 ± ---	IC YANG 2014/06/16	COMBO 2.05H PULLER TYPE MICRO SD/NANO SIM 8P6P WITH M-SD S/W			
		2 PLACES ± 0.12 ± ---	CHECKED BY DATE	molex				
		1 PLACE ± 0.15 ± ---	APPROVED BY DATE	DOCUMENT NO.				
		0 PLACE ± 0.15 ± ---	YSK IM02 2015/10/27	SD-104239-301				
		ANGULAR ± 1 °		MATERIAL NO.	SHEET NO.			
		DRAFT WHERE APPLICABLE MUST REMAIN WITHIN DIMENSIONS		SEE SHEET1	3 OF 3			
				SIZE A3	THIS DRAWING CONTAINS INFORMATION THAT IS PROPRIETARY TO MOLEX INCORPORATED AND SHOULD NOT BE USED WITHOUT WRITTEN PERMISSION			