



Chipsmall Limited consists of a professional team with an average of over 10 year of expertise in the distribution of electronic components. Based in Hongkong, we have already established firm and mutual-benefit business relationships with customers from,Europe,America and south Asia,supplying obsolete and hard-to-find components to meet their specific needs.

With the principle of "Quality Parts,Customers Priority,Honest Operation,and Considerate Service",our business mainly focus on the distribution of electronic components. Line cards we deal with include Microchip,ALPS,ROHM,Xilinx,Pulse,ON,Everlight and Freescale. Main products comprise IC,Modules,Potentiometer,IC Socket,Relay,Connector.Our parts cover such applications as commercial,industrial, and automotives areas.

We are looking forward to setting up business relationship with you and hope to provide you with the best service and solution. Let us make a better world for our industry!



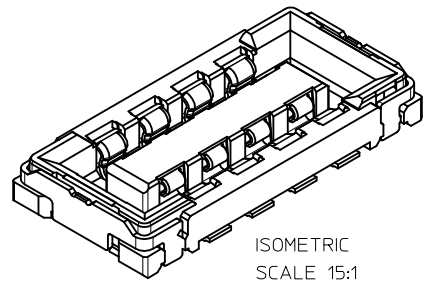
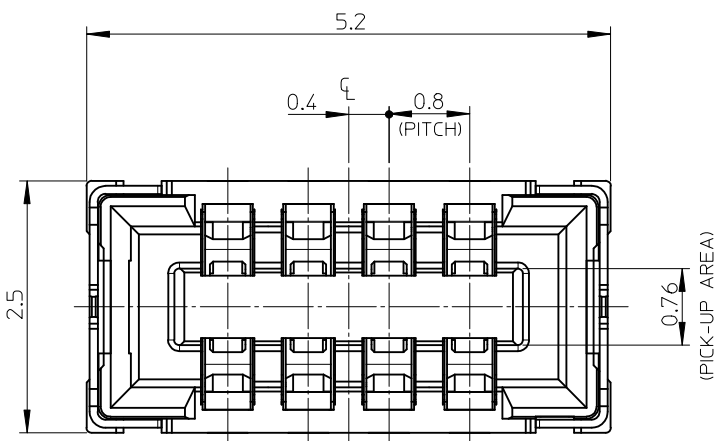
Contact us

Tel: +86-755-8981 8866 Fax: +86-755-8427 6832

Email & Skype: info@chipsmall.com Web: www.chipsmall.com

Address: A1208, Overseas Decoration Building, #122 Zhenhua RD., Futian, Shenzhen, China



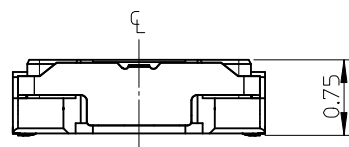
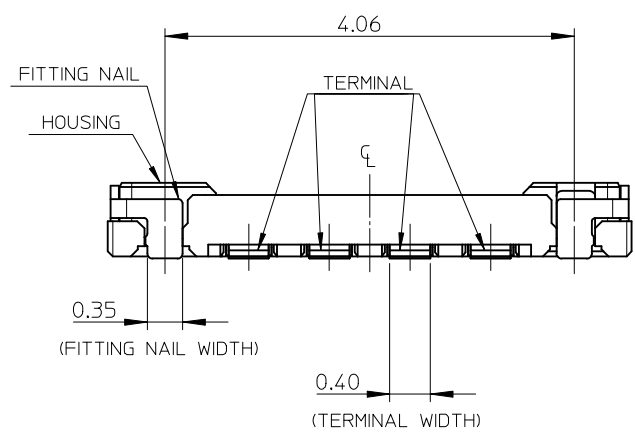


ISOMETRIC
SCALE 15:1

NOTES

1. MATERIAL
HOUSING: LIQUID CRYSTAL POLYMER UL94V-0 (COLOR: BLACK)
TERMINAL FOR POWER OR SIGNAL CIRCUIT : COPPER ALLOY
2. PLATING
TERMINAL FOR POWER OR SIGNAL CIRCUIT
GOLD
UNDER PLATING : NICKEL
* DIVIDE INTO PARTS THE GOLD PLATING OF THE CONTACT AND THE TAIL PART BY THE NICKEL PLATING.

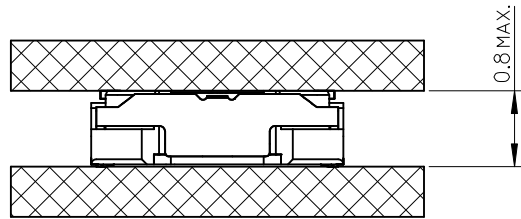
FITTING NAIL
GOLD (SOLDER TAIL)
UNDER PLATING : NICKEL
3. MATE WITH : 104250 SERIES.
4. TAIL COPLANARITY TO BE 0.08 MAXIMUM.
FITTING NAIL COPLANARITY TO BE 0.1 MAXIMUM.
5. ELV and RoHS COMPLIANT.



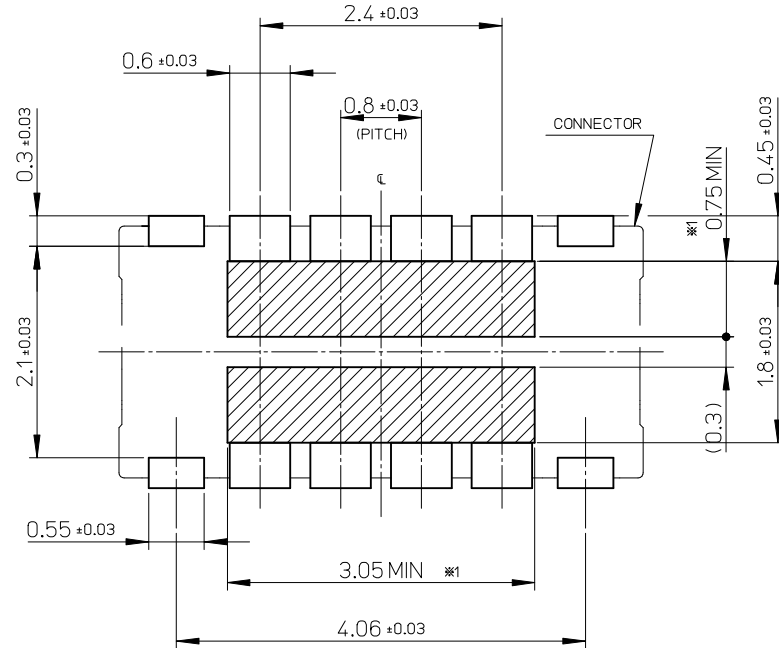
104249-0810	○	-	8
EMBOSSED TAPE PACKAGE	MASS PRODUCTION	LOW VOL. TOOL	CIRCUIT
ORDER NO.	SAMPLE PREPARATION		

CONNECTOR SERIES No. : 104249

REVISED EC NO: KOR2016-0025 DRWN: JHCHANG 2015/09/17 CHKD: KSKIM 2015/09/17 APPR: YSKIM02 2015/09/24	QUALITY SYMBOLS	GENERAL TOLERANCES (UNLESS SPECIFIED)	DIMENSION STYLE	SCALE	DESIGN UNITS	TITLE
	$\nabla_A = 0$ $\nabla_C = 0$ $\nabla_P = 0$	mm INCH 4 PLACES ± --- ± --- 3 PLACES ± 0.1 ± --- 2 PLACES ± 0.15 ± --- 1 PLACE ± 0.2 ± --- 0 PLACE ± --- ± ---	MM ONLY	20:1	METRIC	THIRD ANGLE PROJECTION
		ANGULAR ± 1 °	DRAWN BY	DATE	0.8 BB CONN H=0.75 REC ASSY (ONLY POWER TER'L VER.)	
		DRAFT WHERE APPLICABLE MUST REMAIN WITHIN DIMENSIONS	JHCHANG	2015/03/06	molex SD-104249-001	
			CHECKED BY	DATE		
			2015/06/08	1 OF 4		
			APPROVED BY	DATE	THIS DRAWING CONTAINS INFORMATION THAT IS PROPRIETARY TO MOLEX INCORPORATED AND SHOULD NOT BE USED WITHOUT WRITTEN PERMISSION	
			YSKIM02	2015/06/18		
			MATERIAL NO.	DOCUMENT NO.		
			SEE CHART			



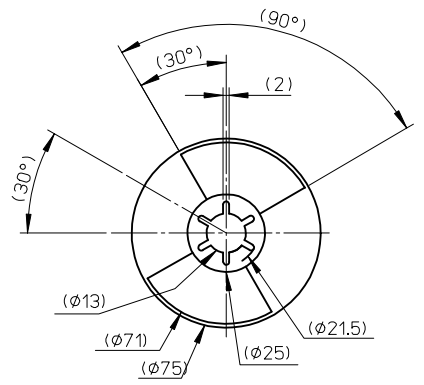
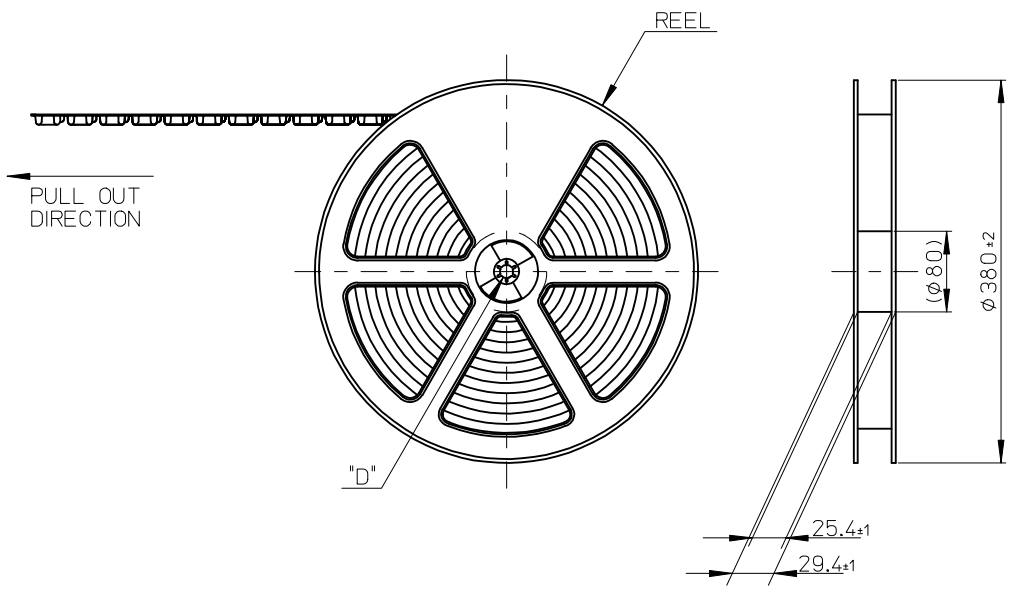
MATED CONDITION



RECOMMENDED P.W.BOARD PATTERN LAYOUT (FOR REFERENCE)
 RECOMMENDED THICKNESS OF METAL MASK:t=0.1mm
 RECOMMENDED OPEN APERTURE RATIO OF METAL MASK:80%

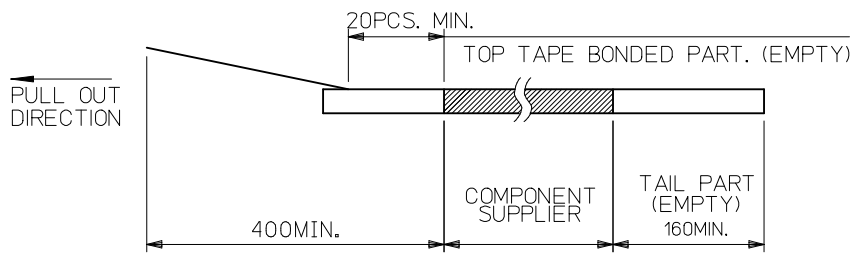
※1
 PROHIBITED AREA OF PATTERN WIRING AND SOLDER.
 (FOR EACH AREA THE WIRING CAN NOT BE AVAILABLE.
 AND COVERED WITH A FILM KEEP SOLDER OUT)

REVISED EC NO: KOR2016-0025 DRWN: JHCHANG 2015/09/17 CHKD: KSK IM 2015/09/17 APPR: YSK IM02 2015/09/24	DESCRIPTION REV	QUALITY SYMBOLS	GENERAL TOLERANCES (UNLESS SPECIFIED)	DIMENSION STYLE MM ONLY	SCALE 20:1	DESIGN UNITS METRIC	THIRD ANGLE PROJECTION	
		$F_A = 0$ $F_G = 0$ $F_P = 0$	mm INCH 4 PLACES ± --- ± --- 3 PLACES ± 0.1 ± --- 2 PLACES ± 0.15 ± --- 1 PLACE ± 0.2 ± --- 0 PLACE ± --- ± ---	DRAWN BY DATE JHCHANG 2015/03/06 CHECKED BY DATE KSK IM 2015/06/08 APPROVED BY DATE YSK IM02 2015/06/18	TITLE	0.8 BB CONN H=0.75 REC ASSY (ONLY POWER TER'L VER.)		
		ANGULAR ± 1 ° DRAFT WHERE APPLICABLE MUST REMAIN WITHIN DIMENSIONS	MATERIAL NO. SEE SHEET1	DOCUMENT NO. SD-104249-001	SHEET NO. 2 OF 4			
		THIS DRAWING CONTAINS INFORMATION THAT IS PROPRIETARY TO MOLEX INCORPORATED AND SHOULD NOT BE USED WITHOUT WRITTEN PERMISSION						



NOTES

1. RE DETAILED DIMENSION, SEE PRODUCT DRAWING.
2. NUMBER OF CONNECTORS : 5000PCS/REEL
3. LEAD TAPE LENGTH



4. COVER TAPE PEEL FORCE IS DEFINED BY IEC60286-3.
5. MATERIAL
 CARRIER TAPE : POLYSTYRENE
 TOP TAPE : PET , OTHER
 REEL : PS
 POLYSTYRENE (PS) <RECYCLE MATERIAL CONTAINED>
6. ELV AND RoHS COMPLIANT
7. THIS PRODUCT IS HIGH BARRIER PACKAGE INCLUDING SILICAGEL.
8. REFER TO RPS-104249-001 FOR CONDITIONS AFTER OPEN.

DETAIL "D"

REVISED EC NO: KOR2016-0025 DRWN: JHCHANG 2015/09/17 CHKD: KSK IM 2015/09/17 APPR: YSK IM02 2015/09/24	DESCRIPTION	QUALITY SYMBOLS	GENERAL TOLERANCES (UNLESS SPECIFIED)		DIMENSION STYLE	SCALE	DESIGN UNITS	THIRD ANGLE PROJECTION	
		$F_A=0$ $F_G=0$ $F_P=0$	mm	INCH	MM ONLY	20:1	METRIC	⊙ □	
REV C	REV		4 PLACES	± ---	± ---	DRAWN BY	DATE	TITLE	
			3 PLACES	± 0.1	± ---	JHCHANG	2015/03/06	0.8 BB CONN H=0.75 REC ASSY (ONLY POWER TER'L VER.)	
			2 PLACES	± 0.15	± ---	CHECKED BY	DATE		
			1 PLACE	± 0.2	± ---	KSK IM	2015/06/08		
			0 PLACE	± ---	± ---	APPROVED BY	DATE		
					YSK IM02	2015/06/18	MATERIAL NO.	DOCUMENT NO.	SHEET NO.
			ANGULAR ± 1 °		SEE SHEET1		SD-104249-001		3 OF 4
DRAFT WHERE APPLICABLE MUST REMAIN WITHIN DIMENSIONS					THIS DRAWING CONTAINS INFORMATION THAT IS PROPRIETARY TO MOLEX INCORPORATED AND SHOULD NOT BE USED WITHOUT WRITTEN PERMISSION				

10 9 8 7 6 5 4 3 2 1

F

E

D

C

B

A

F

E

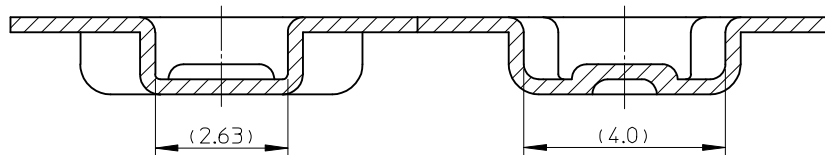
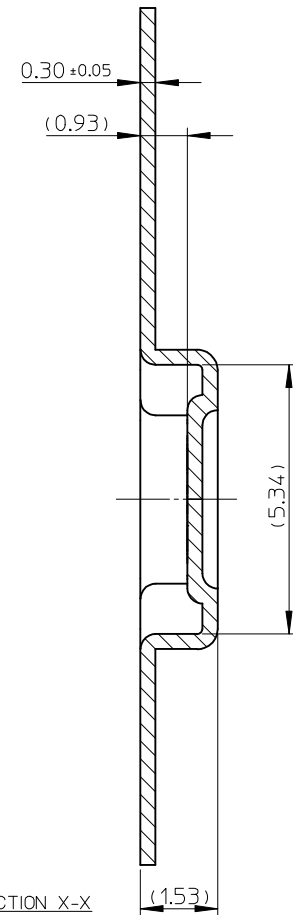
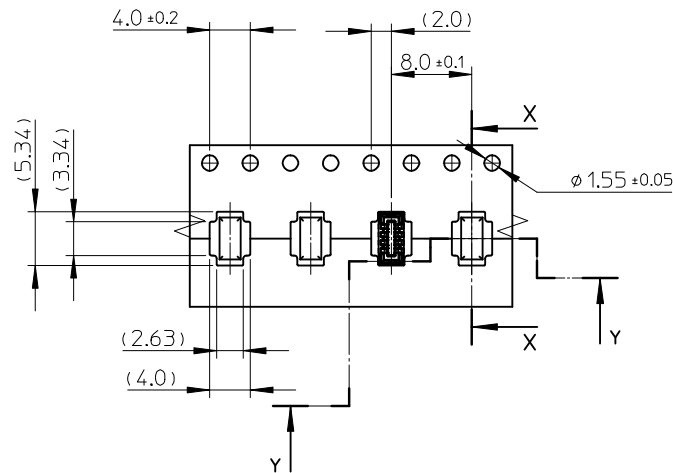
D

C

B

A

PULL OUT DIRECTION



SECTION Y-Y

SECTION X-X

REVISED EC NO: KOR2016-0025 DRWN: JHCHANG 2015/09/17 CHKD: KSK IM 2015/09/17 APPR: YSK IM02 2015/09/24	QUALITY SYMBOLS	GENERAL TOLERANCES (UNLESS SPECIFIED)		DIMENSION STYLE	SCALE	DESIGN UNITS	THIRD ANGLE PROJECTION
	$F_A = 0$	mm	INCH	MM ONLY	20:1	METRIC	
	$F_C = 0$	4 PLACES ± ---	+ ---	DRAWN BY	DATE	TITLE	
	$F_P = 0$	3 PLACES ± 0.1	± ---	JHCHANG	2015/03/06	0.8 BB CONN H=0.75 REC ASSY (ONLY POWER TER'L VER.)	
	2 PLACES ± 0.15	± ---	CHECKED BY	DATE	SD-104249-001		SHEET NO.
	1 PLACE ± 0.2	± ---	KSK IM	2015/06/08	molex		4 OF 4
	0 PLACE ± ---	± ---	APPROVED BY	DATE	MATERIAL NO.		
			YSK IM02	2015/06/18	SEE SHEET 1		
			ANGULAR ± 1 °		DOCUMENT NO.		
			DRAFT WHERE APPLICABLE MUST REMAIN WITHIN DIMENSIONS		THIS DRAWING CONTAINS INFORMATION THAT IS PROPRIETARY TO MOLEX INCORPORATED AND SHOULD NOT BE USED WITHOUT WRITTEN PERMISSION		

9 8 7 6 5 4 3 2 1